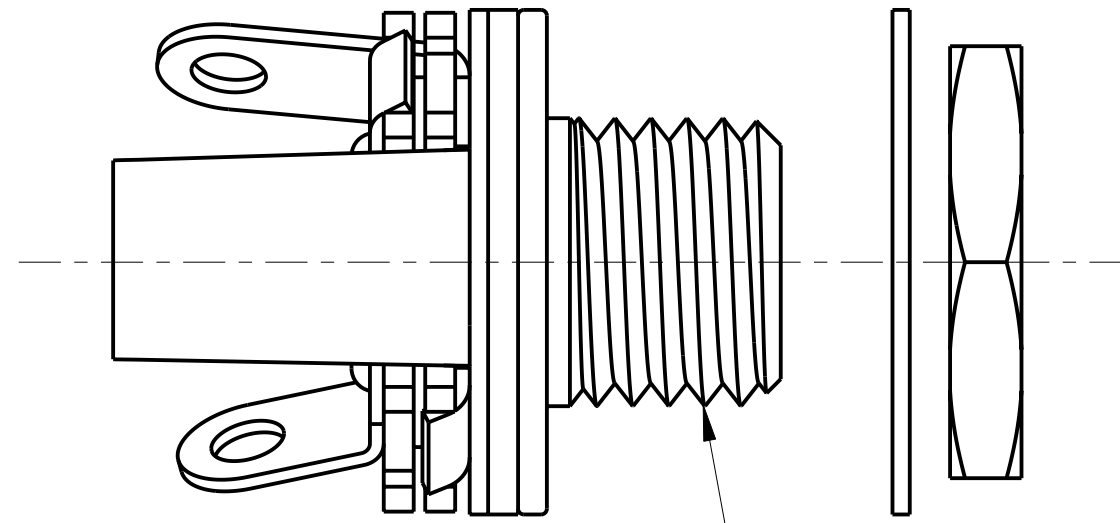
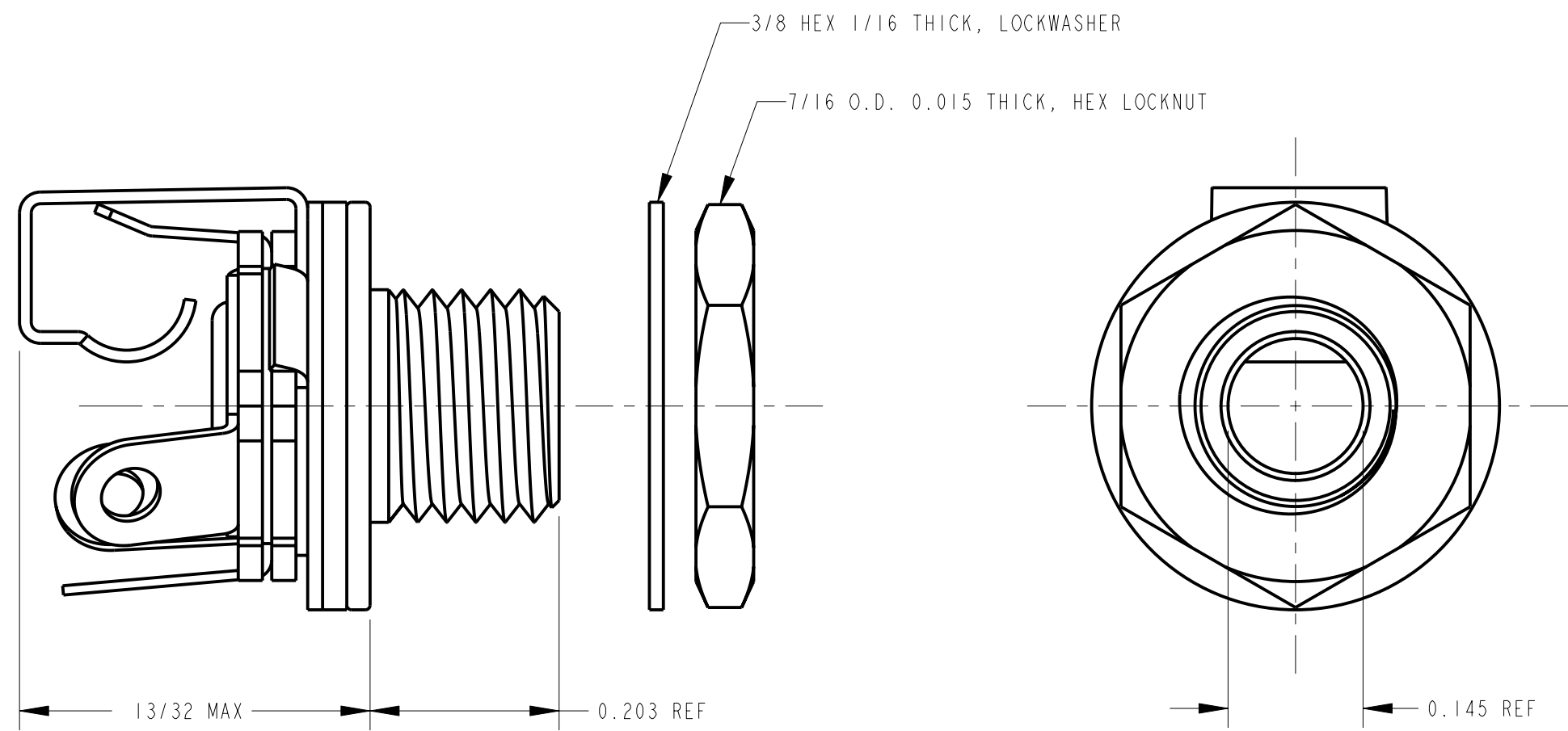
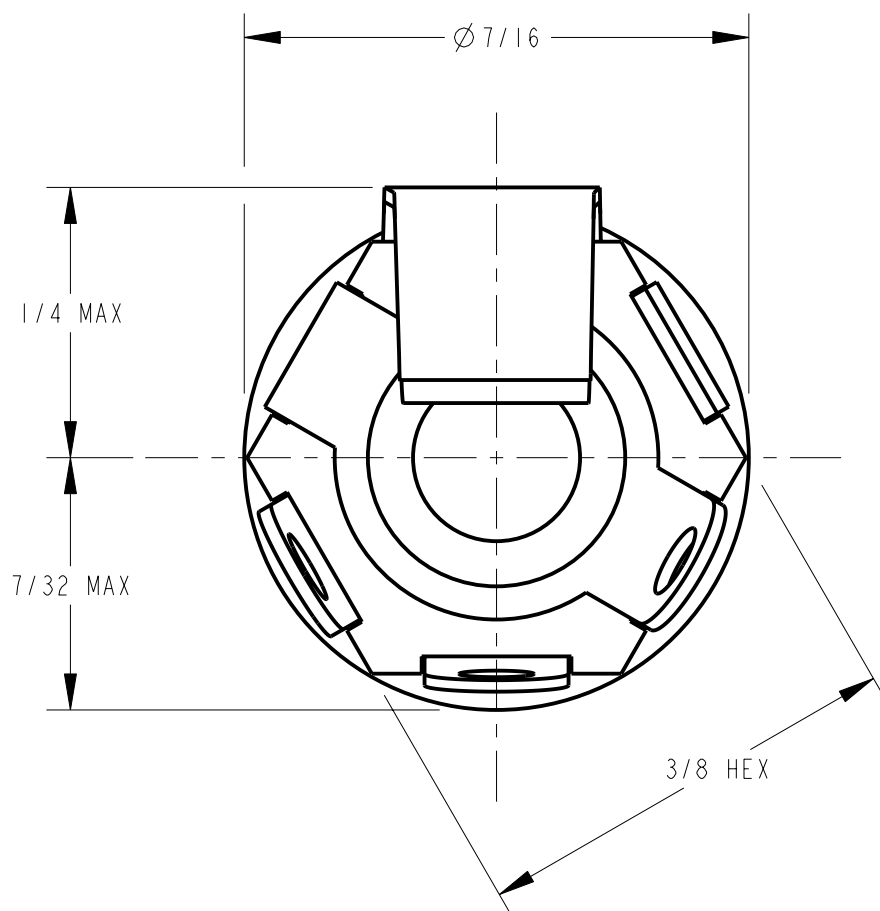


SCALE 4:1

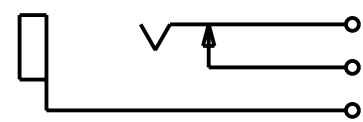


1/4-32 UNEF 2A THREAD REF



SPECIFICATIONS:

- BUSHING - BRASS, NICKEL PLATED
- SPRING - NICKEL SILVER, SPRING TEMPERED
- SPACERS - PAPER BASE BAKEUTE XXP
- SLEEVE TERMINAL - BRASS, HOT TINNED
- WASHER - STEEL, NICKEL PLATED
- LOCKNUT - BRASS, NICKEL PLATED



SCHMATIC CIRCUIT

CUSTOMER DRAWING

REV	ECO NUMBER	DATE	BY	APVD
E	REDRAWN WAS REV.D ECO #20875	7-16-97	MM	JF
REVISIONS				

★ STAR SYMBOL DENOTES CRITICAL DIMENSION

UNLESS OTHERWISE SPECIFIED

- ALL DIMENSIONS IN INCHES
 - TWO PLACE DECIMALS ±0.01
 - THREE PLACE DECIMALS ±0.005
 - FRACTIONAL DIMENSIONS ±1/64
 - ANGLES ±1°
 - ALL DIA. CONCENTRIC WITHIN 0.005 T.I.R.
- FEATURES ON THE SAME CENTERLINE MUST BE ALIGNED WITHIN ±0.002
- REMOVE ALL BURRS

DO NOT SCALE DRAWING

THIS DRAWING DESCRIBES A DESIGN CONSIDERED PROPRIETARY IN NATURE, DEVELOPED AND MANUFACTURED BY SWITCHCRAFT INC. AND IS RELEASED ON A CONFIDENTIAL BASIS FOR IDENTIFICATION PURPOSES ONLY.				
SIZE	WIDTH	MULT	LBS/M	TEMPER
FINISH		MATERIAL		
SPEC No.		SPEC No.		
FIRST USED ON		SCALE		
		6:1		
DATE DRAWN	BY	CHKD	APVD	Switchcraft®
4-14-64	TRT	CJD 4-15-64	LG 4-21-64	
NAME			PART No.	REV
TINI-JAX 2 COND.			42A	E