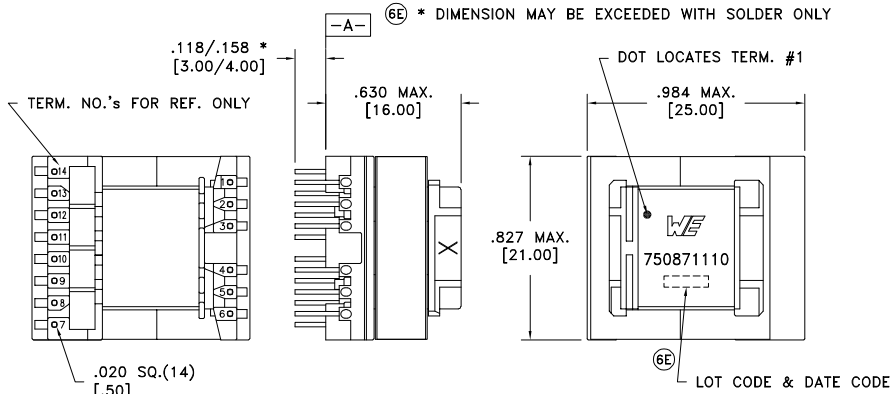


CUSTOMER TERMINAL	RoHS	LEAD(Pb)-FREE
Sn96%, Ag4%	Yes	Yes

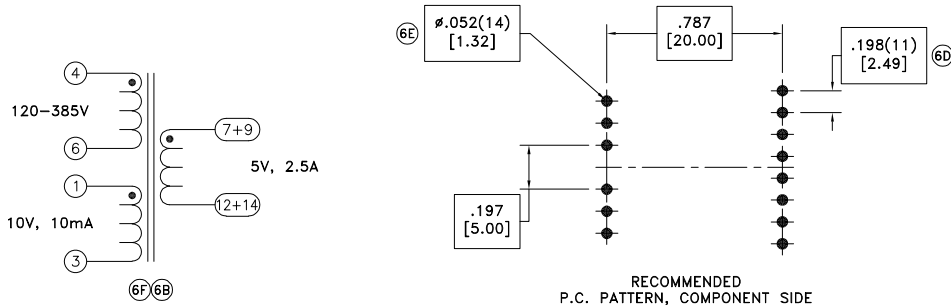


ELECTRICAL SPECIFICATIONS @ 25°C unless otherwise noted:

PARAMETER	TEST CONDITIONS	VALUE
D.C. RESISTANCE	4-6 @20°C	4.8 ohms max.
D.C. RESISTANCE	3-1 @20°C	0.98 ohms max.
D.C. RESISTANCE	7-12 tie(12+14, 7+9), @20°C	0.04 ohms max.
INDUCTANCE	4-6 10kHz, 100mVAC, Ls	1.60mH ±10%
LEAKAGE INDUCTANCE	4-6 tie(1+3+12+7+9+14), 100kHz, 100mVAC, Ls	29uH typ., 48uH max.
DIELECTRIC	4-7 tie(4+1), 4800VAC, 1 second	4000VAC, 1 minute
DIELECTRIC	1-4 1875VAC, 1 second	1500VAC, 1 minute
TURNS RATIO	(4-6):(1-3)	7.2:1, ±2%
TURNS RATIO	(4-6):(7-12)	14.4:1, ±2%



PART MUST INSERT FULLY TO SURFACE A IN RECOMMENDED GRID



RECOMMENDED P.C. PATTERN, COMPONENT SIDE

6F Application of the transformer allows for the leadwires between terminals 14&12 and 7&9 to solder bridge.

6E Wire insulation & RoHS status not affected by wire color.  
 6E Wire insulation color may vary depending on availability.

REV.	DATE	Packaging Specifications	CONVENTION PLACEMENT
6F	1/23	Method: Tray	
6E	11/16	PKG-0736	
6D	8/13	www.we-online.com/midcom	
6C	12/10	SEE REVISION SHEET FOR REVISION LEVEL	

Tolerances unless otherwise specified:  
 Angles: ±1°  
 Decimals: ±.005 [.13]  
 Fractions: ±1/64 Footprint: ±.001 [.03]  
 This drawing is dual dimensioned. Dimensions in brackets are in millimeters.

DRAWING TITLE  
**TRANSFORMER**  
 eiSos p/n: 750871110

PART NO.  
**750871110**  
 SPECIFICATION SHEET 1 OF 1

