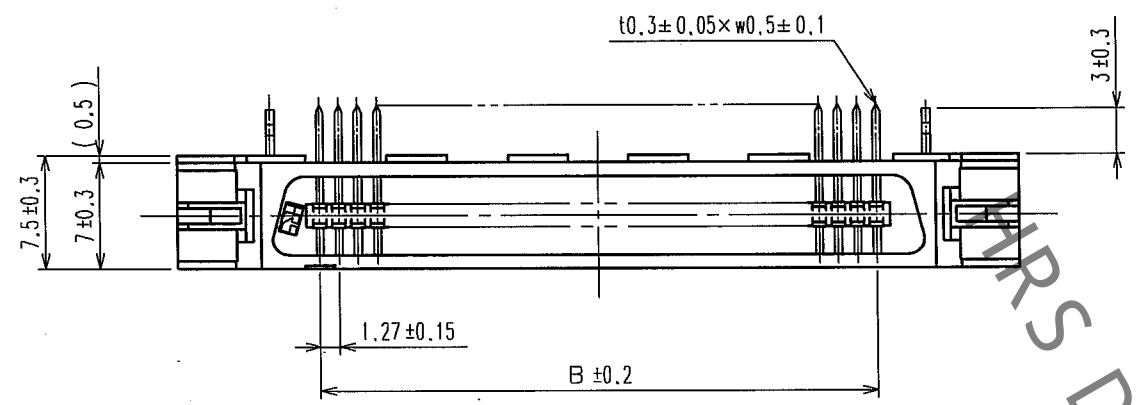
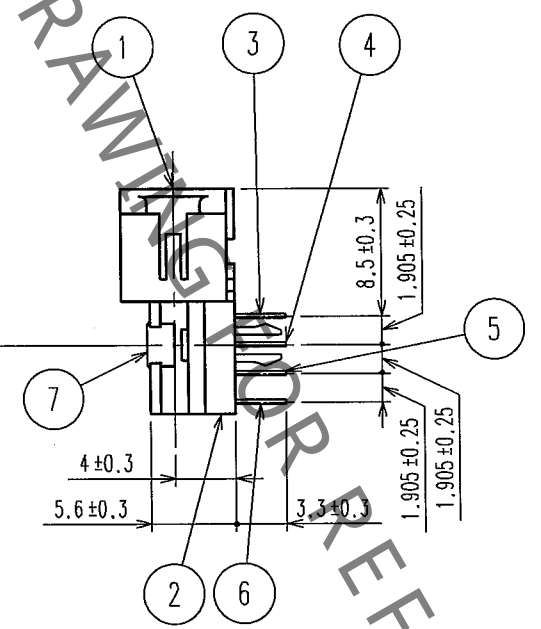
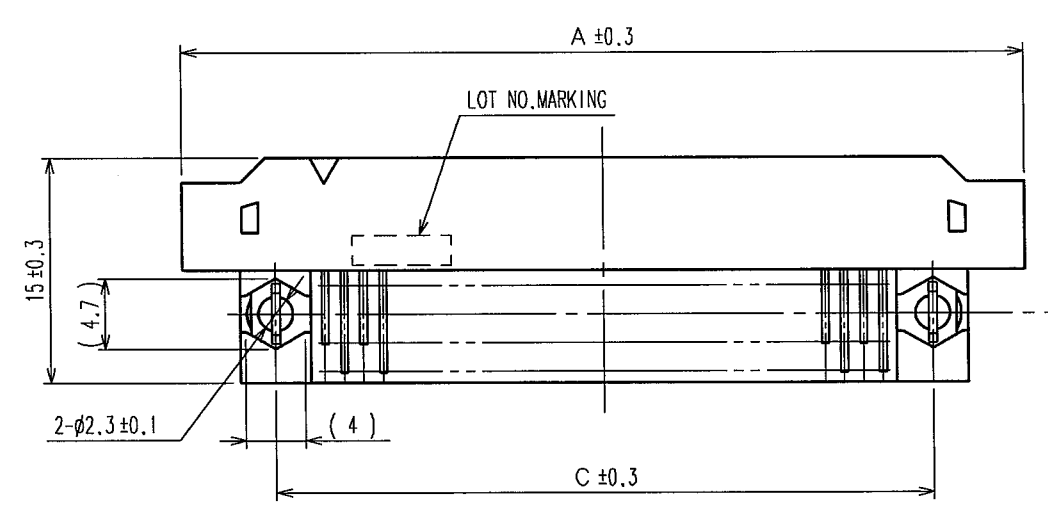
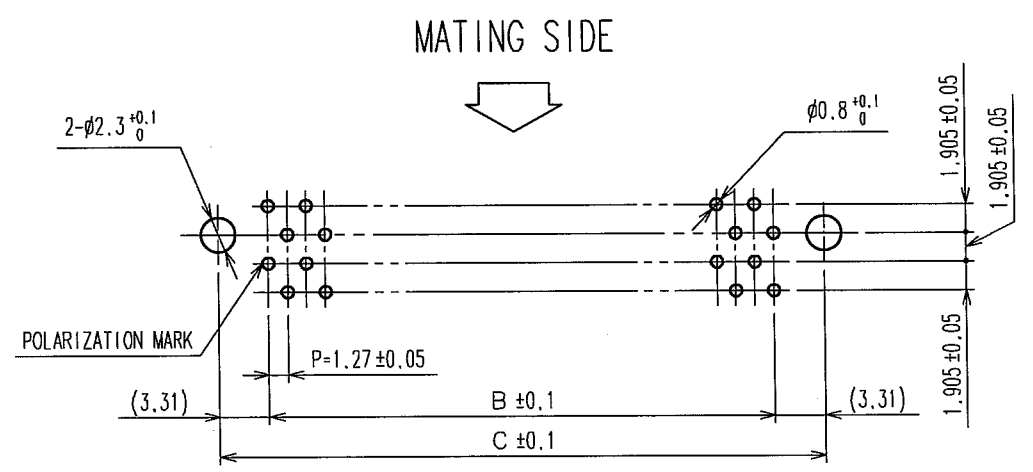


COUNT	DESCRIPTION OF REVISIONS	BY	CHKD	DATE	COUNT	DESCRIPTION OF REVISIONS	BY	CHKD	DATE

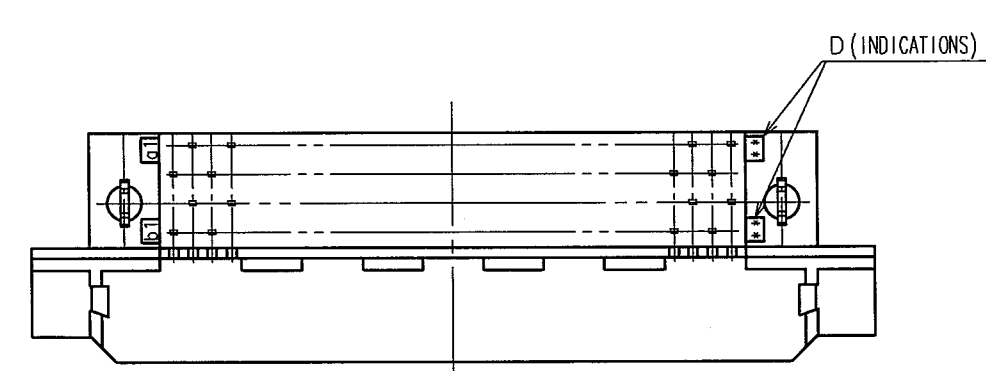
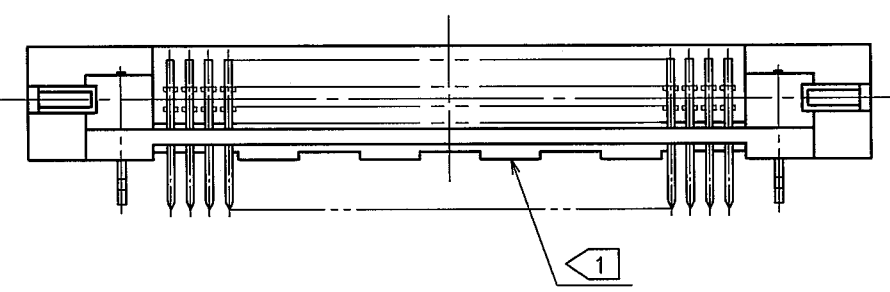


RECOMMEND PC BOARD HOLE PATTERN (MOUNTING SIDE)



PART No.	CODE No.	2	A	B	C	D
FX2B-20PA-1.27DSL(71)	CL572-0771-5-71	20	30.33	11.43	18.05	10
FX2B-32PA-1.27DSL(71)	CL572-0772-8-71	32	37.95	19.05	25.67	16
FX2B-40PA-1.27DSL(71)	CL572-0773-0-71	40	43.03	24.13	30.75	20
FX2B-52PA-1.27DSL(71)	CL572-0774-3-71	52	50.65	31.75	38.37	26
FX2B-60PA-1.27DSL(71)	CL572-0775-6-71	60	55.73	36.83	43.45	30
FX2B-68PA-1.27DSL(71)	CL572-0776-9-71	68	60.81	41.91	48.53	34
FX2B-80PA-1.27DSL(71)	CL572-0777-1-71	80	68.43	49.53	56.15	40
FX2B-100PA-1.27DSL(71)	CL572-0778-4-71	100	81.13	62.23	68.85	50

- NOTES
 1. STANDOFF DIFFERS ACCORDING TO PRODUCTS.
 2. NUMBER OF PIN.
 3. THE DIMENSIONS IN PARENTHESES ARE FOR REFERENCE.



TO PCK

7	PHOSPHOR BRONZE	TIN-PLATING	3~6	BRASS	CONTACT AREA:GOLD FLASH			
1,2	POLYAMIDE	BLACK	UL94V-0		DIP AREA:TIN-PLATING 2μm min			
					UNDER PLATING:NICKEL 1μm min			
NO.	MATERIAL	FINISH,	REMARKS	NO.	MATERIAL	FINISH, REMARKS		
CODE NO. (OLD) CL				DRAWN	DESIGNED	CHECKED	APPROVED	RELEASED
				I.OKAYAMA	K.NAKAMURA	H.OKAWA	H.OKAWA	
				04.06.02	04.06.02	04.06.14	04.06.14	
DRAWING NO. EDC3-151041-21				PART NO. FX2B-**PA-1.27DSL(71)				
SCALE FREE				CODE NO. CL572				
UNITS mm				1/1				