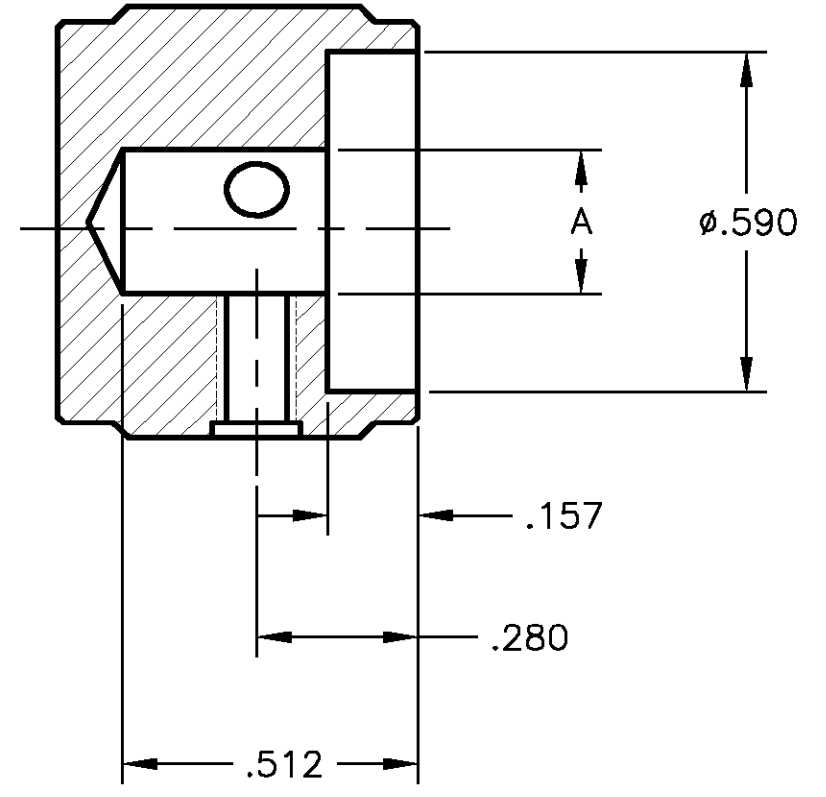
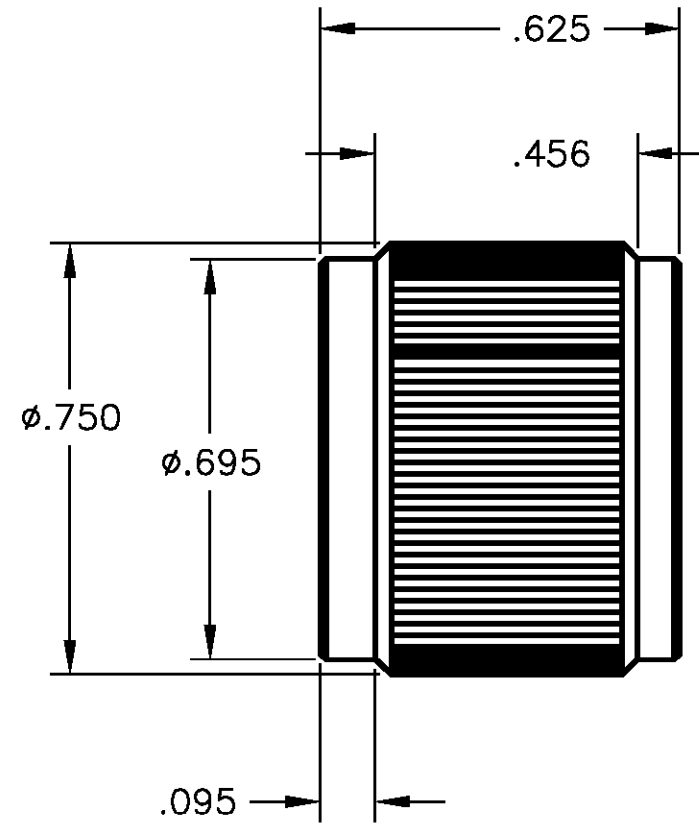
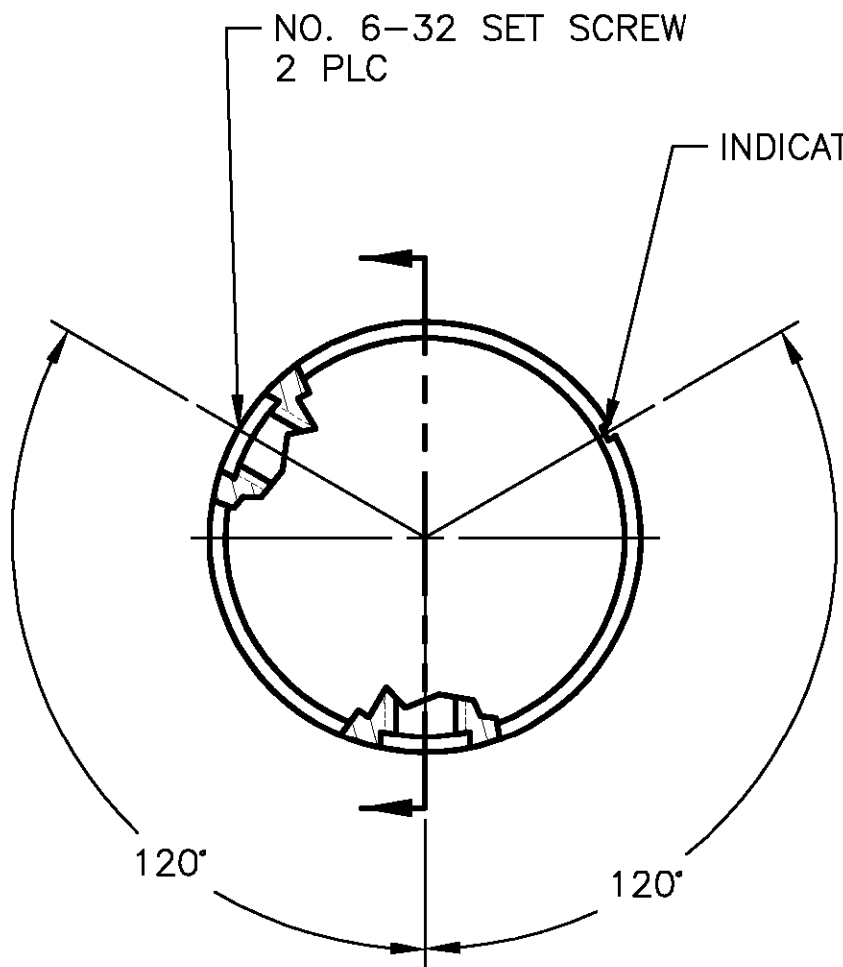


THIS DRAWING IS UNPUBLISHED. RELEASED FOR PUBLICATION
 © COPYRIGHT BY TYCO ELECTRONICS CORPORATION. ALL RIGHTS RESERVED.

| LOC | DIST | REVISIONS | | | |
|-----|------|-------------|------------------------|---------|-------|
| P | LTR | DESCRIPTION | DATE | DWN | APVD |
| AD | 00 | D | REV PER EC 0G3C-356-02 | 17SEP02 | MB MZ |



- 1 KNOB: ALUMINUM; SET SCREWS: STAINLESS STEEL
- 2 FINISH: ANODIZED - SEE TABLE
- 3. WAS DRAWING NUMBER 80254

| | | | | | | |
|------------------|----------------|-------|---------|--------------|-------------|-------------|
| PRELIMINARY PART | .250 | NONE | BLACK | BLACK | KN700B1/4NL | 1571330-2 |
| PRELIMINARY PART | .236(6mm) | NONE | BLACK | BLACK | KN700B6MNL | 1571330-1 |
| | .250 | WHITE | NATURAL | BLACK | KN700BA1/4 | 6-1437622-1 |
| | | BLACK | BLACK | NATURAL | KN700AB1/4 | 5-1437622-9 |
| | | WHITE | BLACK | BLACK | KN700B1/4 | 6-1437622-0 |
| | | BLACK | NATURAL | NATURAL | KN700A1/4 | 5-1437622-8 |
| A | INDICATOR LINE | TOP | BODY | MODEL NUMBER | PART NUMBER | |
| | | | 2 COLOR | | | |

| | | | | |
|--|--------|----------------------------|--|---------------|
| THIS DRAWING IS A CONTROLLED DOCUMENT. | | DWN M.BINNER 27JUN02 | Tyco Electronics Corporation Harrisburg, PA 17105 | |
| DIMENSIONS: INCHES | | CHK M.ZITTO | NAME | |
| TOLERANCES UNLESS OTHERWISE SPECIFIED: 0 PLC ± - 1 PLC ± - 2 PLC ± - 3 PLC ± .020 4 PLC ± - ANGLES ± - | | APVD M.ZITTO | KNOB, STRAIGHT KNURL HAIRLINE INDICATOR (KN-700) | |
| MATERIAL | FINISH | PRODUCT SPEC | SIZE | CAGE CODE |
| 1 | 2 | - | A3 | 00779 |
| CUSTOMER DRAWING | | APPLICATION SPEC | DRAWING NO | RESTRICTED TO |
| | | - | C-6-1437622-0 | - |
| | | WEIGHT | SCALE | SHEET |
| | | - | 3:1 | 1 OF 1 |
| | | | REV | D |