

# SPECIFICATIONS

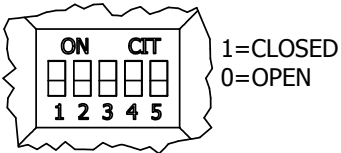
| PARAMETERS                       | VALUES               | UNITS      |
|----------------------------------|----------------------|------------|
| RATED VOLTAGE                    | 24                   | Vdc        |
| OPERATING VOLTAGE RANGE          | 18 ~ 28              | Vdc        |
| TONE OUTPUT                      | SEE 32<br>TONE CHART | -          |
| CURRENT CONSUMPTION<br>(NOMINAL) | SEE 32<br>TONE CHART | mA         |
| INGRESS PROTECTION               | IP54                 | -          |
| LENS COLOR                       | RED                  | -          |
| FLASH RATE                       | 1                    | PER/SECOND |
| CASE MATERIAL/COLOR              | ABS/RED              | -          |
| TERMINAL                         | SCREW                | -          |
| OPERATING TEMPERATURE            | -10 ~ +55            | °C         |
| WEIGHT                           | 300                  | grams      |

THIS DOCUMENT CONTAINS DATA PROPRIETARY TO PROJECTS UNLIMITED, INC. ANY USE OR REPRODUCTION, IN ANY FORM, WITHOUT PRIOR WRITTEN PERMISSION OF PROJECTS UNLIMITED, INC. IS PROHIBITED.  
©2003, Projects Unlimited Inc.

# REVISION HISTORY

| LTR | DESCRIPTION                              | DATE       | APPROVED |
|-----|--|------------|----------|
| -   | RELEASED FROM ENGINEERING                | 12/15/2005 |          |
| A   | ADDED RoHS & BASE NOTES                  | 5/21/2007  | R.W.     |
| B   | REVISED DETAIL "A" DIL SWITCH            | 3/12/2009  | B.R.     |
| C   | REVISED TO INVENTOR 3-D DRAWING TEMPLATE | 5/18/2010  | B.R.     |

## DETAIL "A"



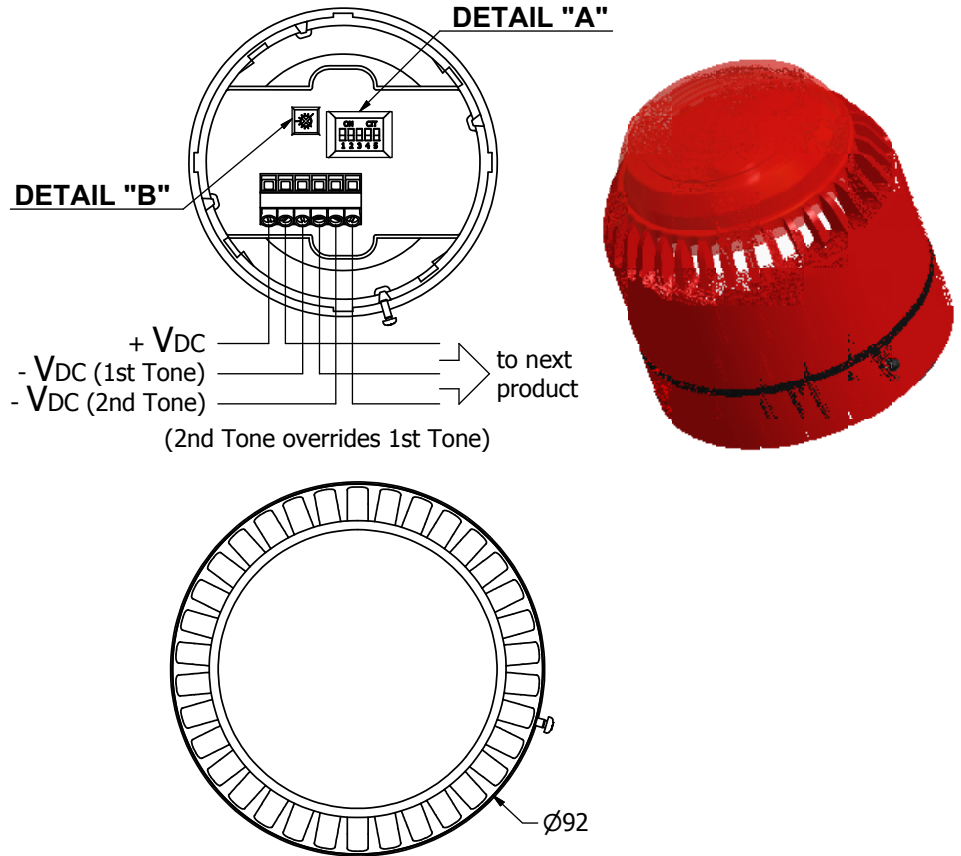
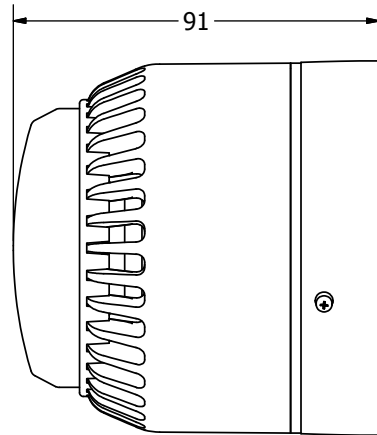
## DETAIL "B" VOLUME CONTROL



**OPTIONAL BASES**  
**DEEP BASE: AWA-DBR**  
**U BASE: AWA-UBR**  
**120Vac BASE: AWA-DBR-120**

## NOTES:

- ALL DIMENSIONS ARE IN MILLIMETERS.
- SPECIFICATIONS SUBJECT TO CHANGE OR WITHDRAWAL WITHOUT NOTICE.
- THIS PART IS RoHS 2002/95/EC COMPLIANT.
- IP65 WITH USE OF AWA-DBR, AWA-DBR-120, OR AWA-UBR BASE.



| UNLESS OTHERWISE SPECIFIED:<br>DIMENSIONS ARE IN MILLIMETERS,<br>TOLERANCES ARE ±0.5 AND ANGLES ARE ±3°. | SIZE<br><b>A3</b> | Designed by | Date       | Checked by | Date                            | Approved by | Date       | Drawn Date   |                |
|--|-------------------|-------------|------------|------------|---------------------------------|-------------|------------|--------------|----------------|
|  |                   | J.A.F.      | 12/15/2005 | E.P.       | 12/15/2005                      | B.R.        | 12/15/2005 | 5/18/2010    |                |
| AVW-15SBR-RL-24.idw  |                   |             |            |            | <b>AVW-15SBR-RL-24</b><br>Siren |             |            | Edition<br>- | Sheet<br>1 / 1 |