

**MODEL:** CPI-4232-92FST | **DESCRIPTION:** PIEZO BUZZER INDICATOR

**FEATURES**

- fast pulse tone
- high SPL
- screw terminals


**SPECIFICATIONS**

parameter	conditions/description	min	typ	max	units
rated voltage			12		Vdc
operating voltage		7		18	Vdc
current consumption	at 7 Vdc			8	mA
	at 12 Vdc			16	mA
	at 18 Vdc			32	mA
rated frequency		2,400	2,900	3,400	Hz
sound pressure level	at 60 cm, 7 Vdc	80			dB
	at 60 cm, 12 Vdc	92			dB
	at 60 cm, 18 Vdc	95			dB
tone	fast pulse at rated voltage [3.0 ±20% Hz]				
dimensions	∅42.5 x 32.0				mm
weight				39.84	g
material	NYLON (UL94V-0)				
terminal	screw terminals (tin plating)				
operating temperature		-30		85	°C
storage temperature		-40		85	°C
washable	no				
RoHS	yes				

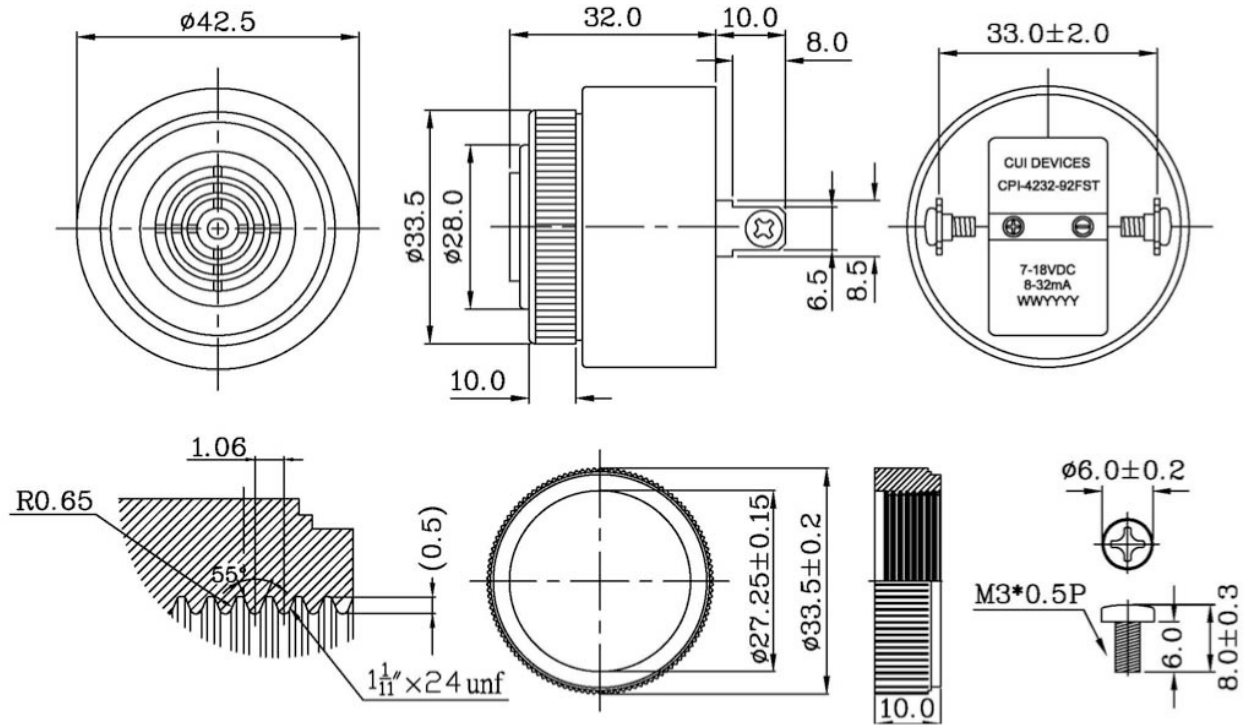
Notes: 1. All specifications measured at 5-35°C, humidity at 45-85%, under 86-106 kPa pressure, unless otherwise noted.

**SOLDERABILITY**

parameter	conditions/description	min	typ	max	units
hand soldering	maximum 2 seconds	330		380	°C

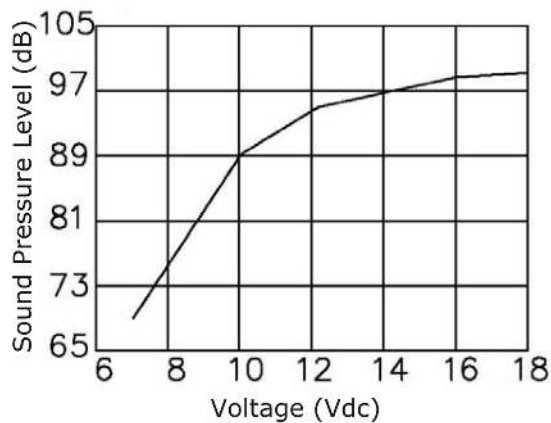
## MECHANICAL DRAWING

units: mm  
tolerance: ±0.5 mm

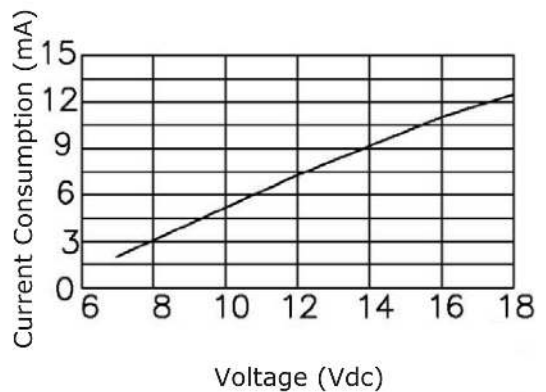


## PERFORMANCE CURVES

Voltage vs. Sound Pressure Level  
at 60 cm



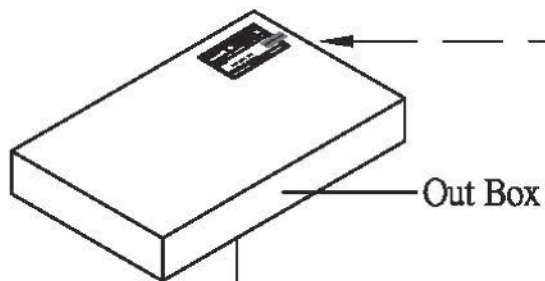
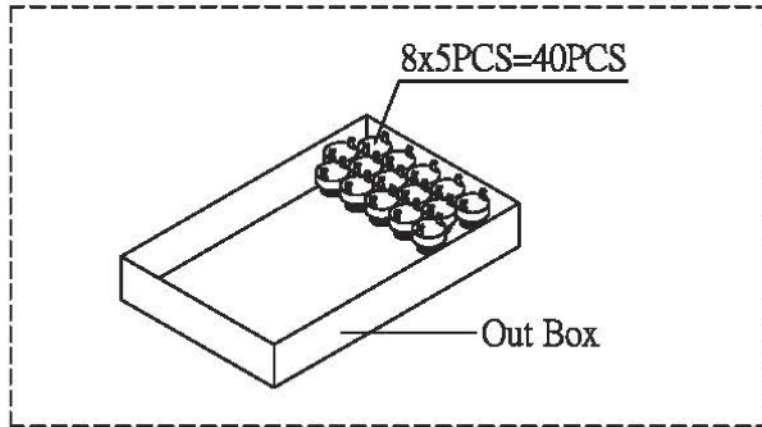
Voltage vs. Current Consumption



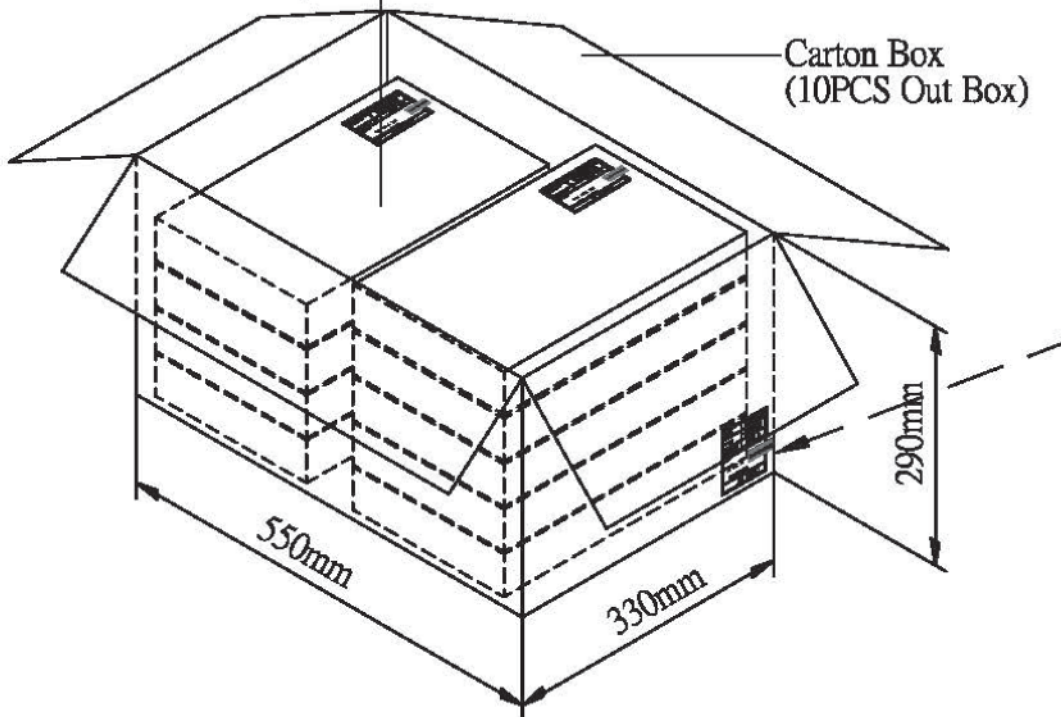
## PACKAGING

units: mm

Carton Size: 550 x 330 x 290 mm  
 Carton QTY: 400 pcs per carton



Lot No.	XXXXXXXXXX
Part No.	XXXXXXXXXX XXXXXXXXXX
Quantity.	XXXX Pcs
Date:	DD MM YY
<b>RoHS Compliant</b>	
MADE IN CHINA	
<b>CUI DEVICES</b>	



## REVISION HISTORY

rev.	description	date
1.0	initial release	12/11/2019
1.01	logo, datasheet style update	08/05/2022

The revision history provided is for informational purposes only and is believed to be accurate.



CUI Devices offers a one (1) year limited warranty. Complete warranty information is listed on our website.

CUI Devices reserves the right to make changes to the product at any time without notice. Information provided by CUI Devices is believed to be accurate and reliable. However, no responsibility is assumed by CUI Devices for its use, nor for any infringements of patents or other rights of third parties which may result from its use.

CUI Devices products are not authorized or warranted for use as critical components in equipment that requires an extremely high level of reliability. A critical component is any component of a life support device or system whose failure to perform can be reasonably expected to cause the failure of the life support device or system, or to affect its safety or effectiveness.

[cuidevices.com](http://cuidevices.com)