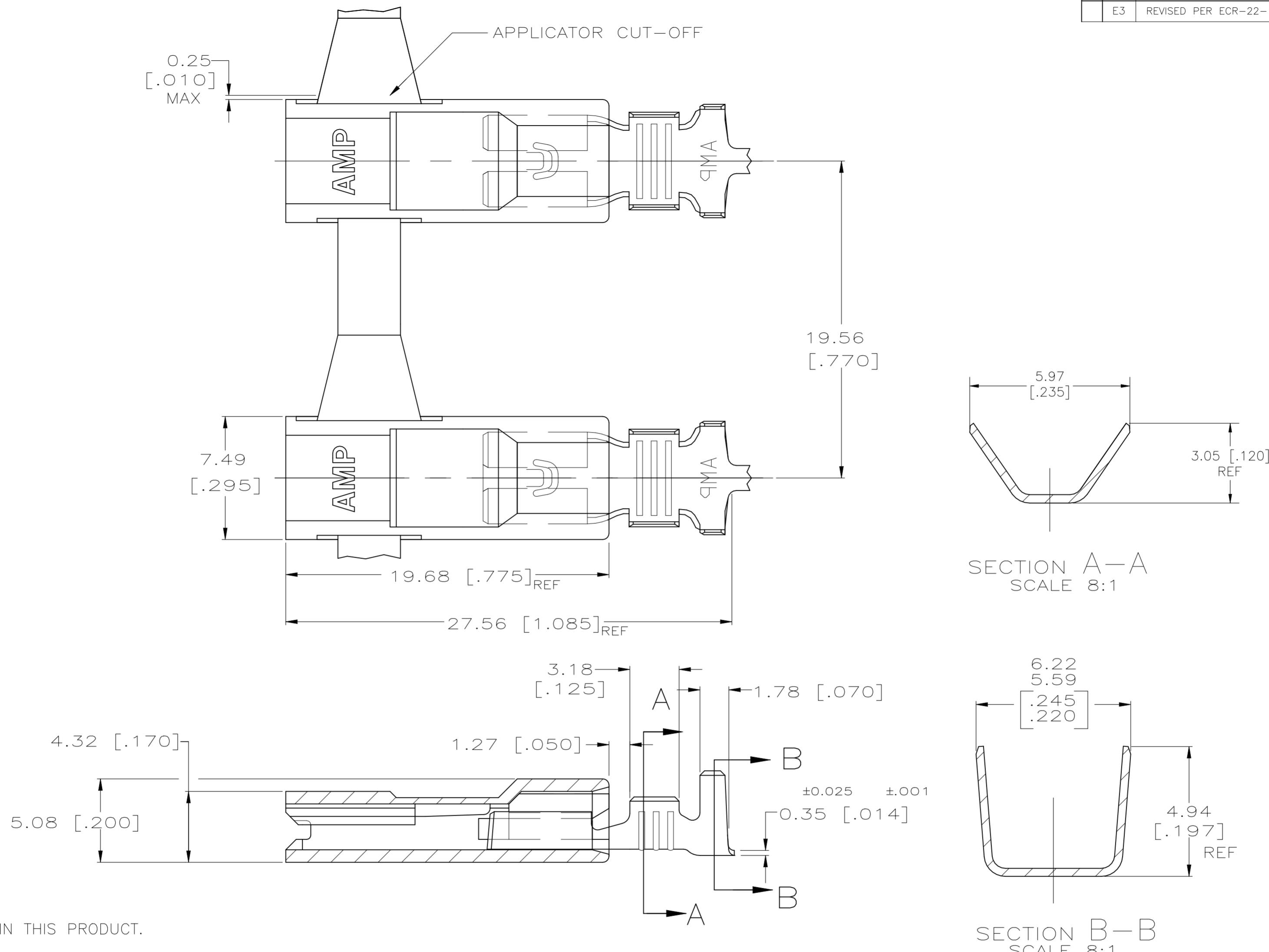


REVISIONS				
P	LTR	DESCRIPTION	DATE	APVD
E3		REVISED PER ECR-22-160893	14DEC2022	DB BW



- 1 FASTON TERMINALS, BASE P/N 1742110, ARE USED IN THIS PRODUCT.
- 2 TIN PLATE PER MIL-T-10727
- 3 MATING TAB THK TO BE 0.51±0.025 [.020±.001]
- 4 WIRE SIZE IS [#18-#16 OR TWO #18'S] AWG.
- 5 INSULATION RANGE IS 2.67-5.33 OR TWO AT 2.67 MAX, [.105-.210 OR TWO AT .105 MAX].

6/6 NYLON, V-2 NAT	BRASS TIN PL. 2	521293-2
SUPERSEDED 6/6 NYLON, V-2 NAT	BRASS PLANE	521293-1
HOUSING MATERIAL & COLOR	TERMINAL MATERIAL & FINISH	PART NO.

THIS DRAWING IS A CONTROLLED DOCUMENT.		DWN	JR RUTH	31MAR00
DIMENSIONS: mm [INCHES]		CHK	MS FEHER	31MAR00
TOLERANCES UNLESS OTHERWISE SPECIFIED:		APVD	N DEIBERT	31MAR00
0 PLC	± -	PRODUCT SPEC	108-1285	
1 PLC	± -	APPLICATION SPEC	114-2124	
2 PLC	± -	WEIGHT	0.000000	
3 PLC	± 0.25 [.010]	SIZE	A2	00779
4 PLC	± -	CAGE CODE	C=521293	
ANGLES	± -	DRAWING NO	521293	
MATERIAL	SEE TABLE	FINISH	SCALE	5:1
CUSTOMER DRAWING		SHEET	1 OF 1	
		REV	E3	



ASSEMBLY, RECEPTACLE, ULTRA-POD, 4.8 [.187] SERIES