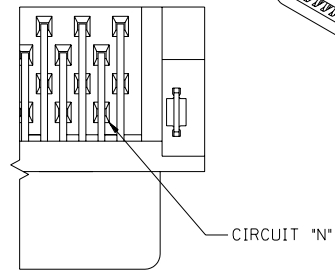
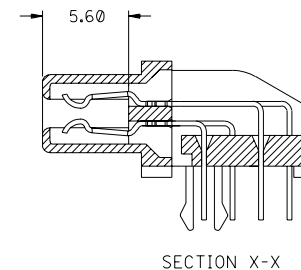
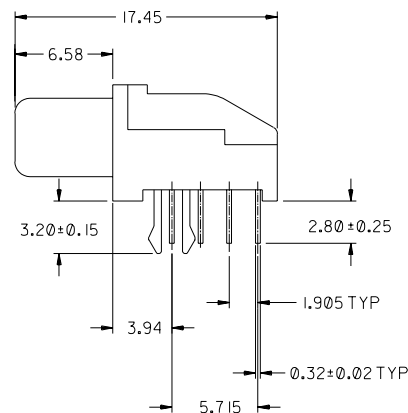
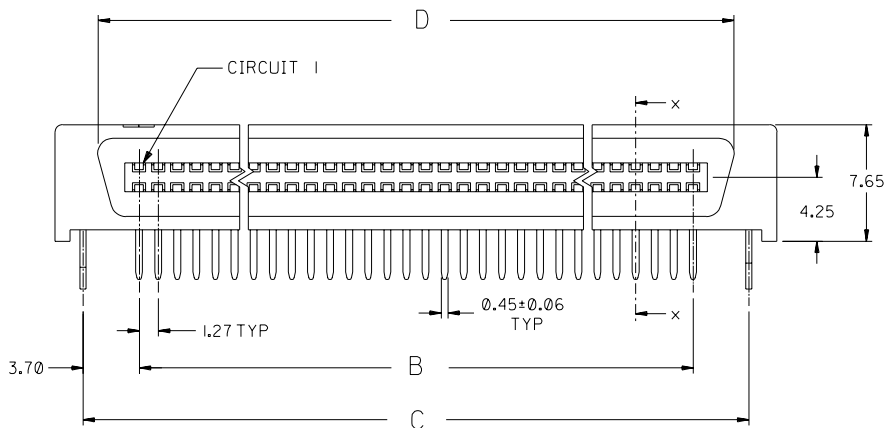
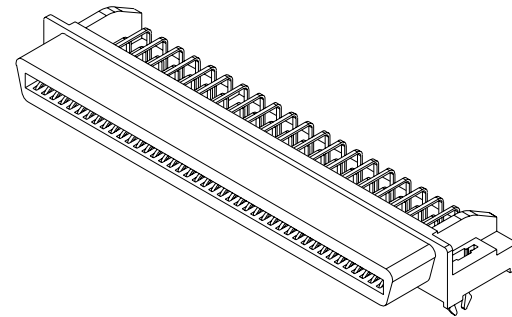


FOR CIRCUIT SIZES 68 AND 80 ONLY



FOR CIRCUIT SIZE 50 ONLY

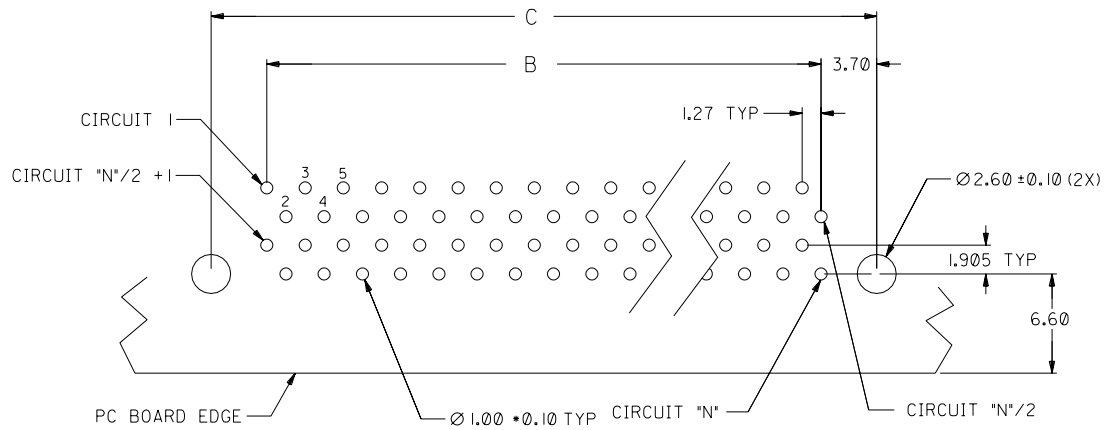


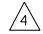
NOTES:

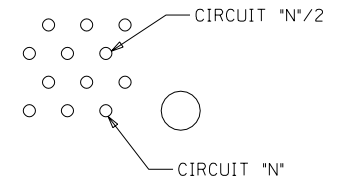
1. MATERIAL: HOUSING -- HIGH TEMP. THERMOPLASTIC, UL94-V0
TERMINALS -- COPPER ALLOY
2. PLATING:
 - 2A 0.76µM MIN. GOLD IN SELECTIVE CONTACT AREA AND 2.54µM MIN. TIN-LEAD IN SOLDER TAIL AREA, BOTH OVER 1.27µM MIN. NICKEL.
 - 2B 0.75µM MIN. GOLD IN SELECTIVE CONTACT AREA AND 2.5µM MIN. TIN IN SOLDER TAIL AREA, BOTH OVER 1.27µM MIN. NICKEL.
3. ASSEMBLY MATES WITH MOLEX P/N 71661-****.
4. RECOMMENDED P.C. BOARD THICKNESS IS 1.60MM.
5. PRODUCT SPEC. NO.: PS-87552-006
6. SEE TABLE ON SHEET 2 FOR ASSEMBLY PART NUMBERS.

ADD TIN PLATED OPTION	EC NO. S2004-0161	030930	QUALITY SYMBOLS MAJOR CRITICAL	GENERAL TOLERANCES: (UNLESS SPECIFIED)		SCALE 3:1	DESIGN UNITS <input checked="" type="checkbox"/> mm <input type="checkbox"/> INCH	THIRD ANGLE PROJECTION	DIMENSIONS: <input type="checkbox"/> mm <input type="checkbox"/> INCH <input type="checkbox"/> mm <input checked="" type="checkbox"/> mm ONLY		2	GI
	DRWN: KSEE	030930		4 PLACES	±0. -	±. -	DRAWN BY & DATE D SOH 970401		SHT	REV		
	CHK: KCLING	030930		3 PLACES	±0. -	±. -	CHECKED BY & DATE KC LING 970506		REVISE ON CAD ONLY			
	APPR: SKTOH	030930		2 PLACES	±0.30	±. -	APPROVED BY & DATE SK TOH 970508		TITLE: ASSY, 1.27mm PITCH, R/A EBBI RECEPT			
REV	GI	1 PLACE	±0. -	±. -	ANGULAR: ± 3°	CAD FILENAME S87552AA.S01	MATERIAL NO. SEE CHART	DRAWING NO. SD-87552-007	SHEET NO. 1 OF 2	SIZE A3		




D	C	B	A	CKT SIZE	ASSEMBLY PART NUMBER (TIN/LEAD)	ASSEMBLY PART NUMBER (TIN)
36.02	37.88	30.48	41.70	50	87552-0501	87552-0507
47.45	49.31	41.91	53.13	68	87552-0681	87552-0687
55.07	56.93	49.53	60.75	80	87552-0801	87552-0807



RECOMMENDED PC BOARD LAYOUT COMPONENT SIDE 
(FOR CIRCUIT SIZES 68 AND 80 ONLY)



(FOR CIRCUIT SIZE 50 ONLY)

ADD TIN PLATED OPTION	EC NO. S2004-0161	QUALITY SYMBOLS	GENERAL TOLERANCES: (UNLESS SPECIFIED)		SCALE 3:1	DESIGN UNITS <input checked="" type="checkbox"/> mm <input type="checkbox"/> INCH	 THIRD ANGLE PROJECTION	DIMENSIONS: <input type="checkbox"/> mm <input type="checkbox"/> INCH <input checked="" type="checkbox"/> mm ONLY		SHT	REV
	DRWN: KSEE 030930	MAJOR 	4 PLACES ±0. - ±. -	mm	INCH	DRAWN BY & DATE D SOH 970401		TITLE: ASSY, 1.27mm PITCH, R/A EBBI RECEIPT			
	CHK: KCLING 030930	CRITICAL 	3 PLACES ±0. - ±. -			CHECKED BY & DATE KC LING 970506					
	APPR: SKTOH 030930	DESCRIPTION	2 PLACES ±0.30 ±. -			APPROVED BY & DATE SK TOH 970508		MOLEX INCORPORATED			
REV		1 PLACE ±0. - ±. -			ANGULAR: ± 3°		CAD FILENAME S87552AA.S01				
G1			THIS DRAWING CONTAINS INFORMATION THAT IS PROPRIETARY TO MOLEX INCORPORATED AND SHOULD NOT BE USED WITHOUT WRITTEN PERMISSION.				SIZE A3				