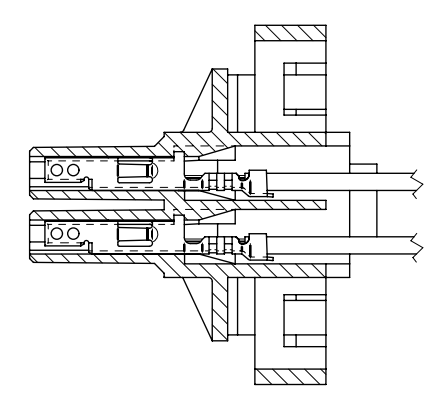
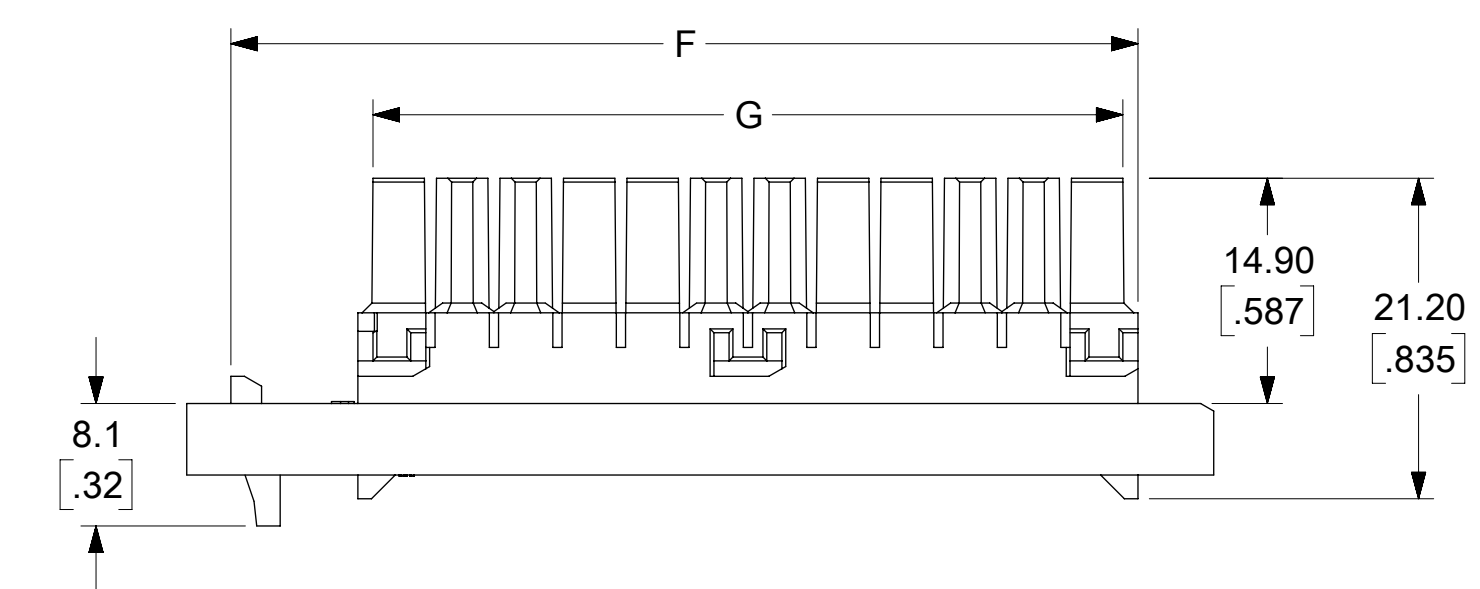
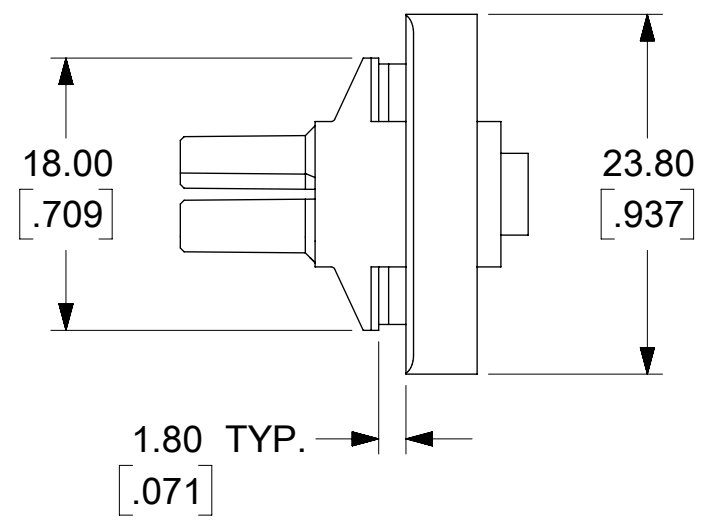
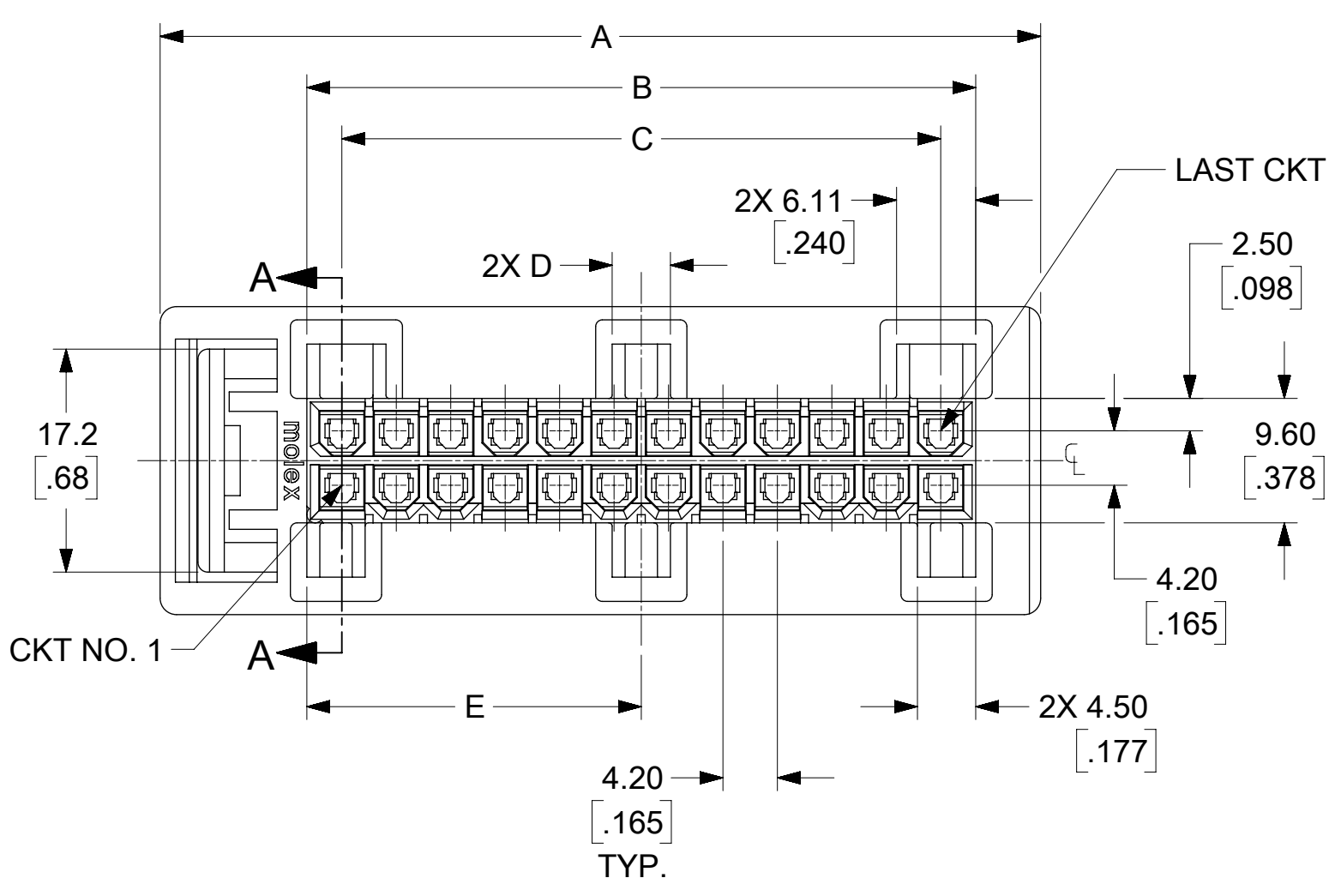


CKT. SIZE	MATERIAL NUMBER
18	44516-0009
20	44516-0010
22	44516-0011
24	44516-0012

CKT. SIZE	DIM. "A"	DIM. "B"	DIM. "C"	DIM. "D"	DIM. "E"	DIM. "F"	DIM. "G"	DIM. "K"	DIM. "L"	DIM. "M"	DIM. "N"
18	55.30 [2.177]	39.00 [1.535]	33.60 [1.323]	3.59 [.141]	19.50 [.768]	47.40 [1.867]	37.00 [1.458]	49.94 [1.966]	40.77 [1.605]	18.72 [.737]	4.35 [.171]
20	59.50 [2.343]	43.20 [1.701]	37.80 [1.488]	4.50 [.177]	21.60 [.850]	51.60 [2.032]	41.20 [1.623]	54.14 [2.131]	44.97 [1.770]	20.37 [.802]	5.26 [.207]
22	63.70 [2.508]	47.40 [1.866]	42.00 [1.653]	3.59 [.141]	23.70 [.933]	55.80 [2.197]	45.40 [1.788]	58.34 [2.297]	49.18 [1.936]	22.92 [.902]	4.35 [.171]
24	67.90 [2.673]	51.60 [2.031]	46.20 [1.819]	4.50 [.177]	25.80 [1.016]	60.00 [2.362]	49.60 [1.953]	62.54 [2.462]	53.38 [2.102]	24.57 [.967]	5.26 [.207]

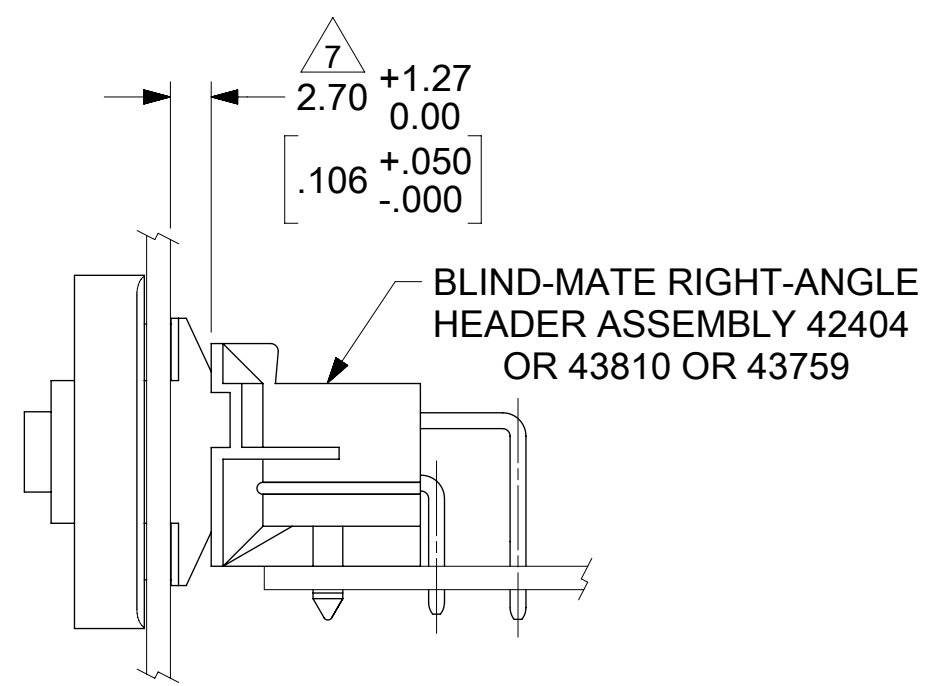
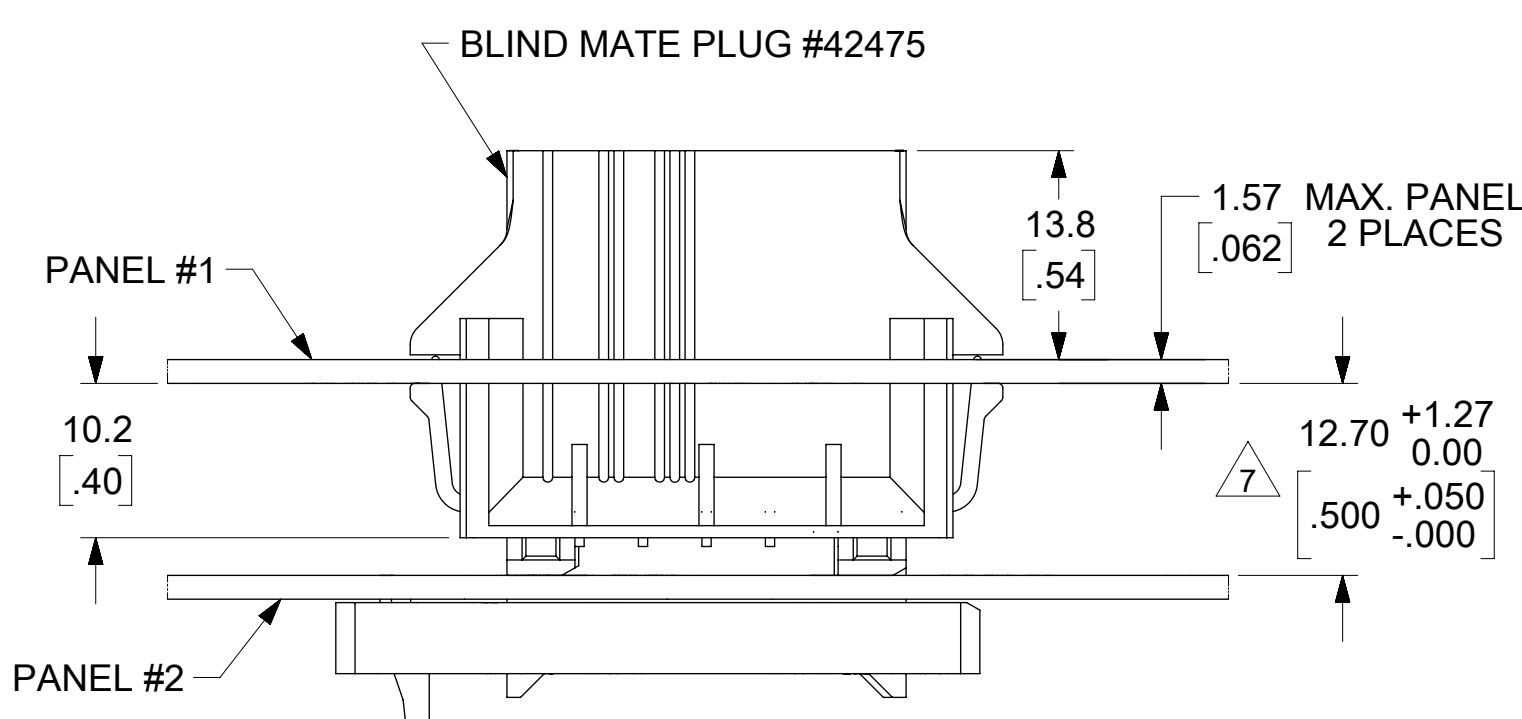
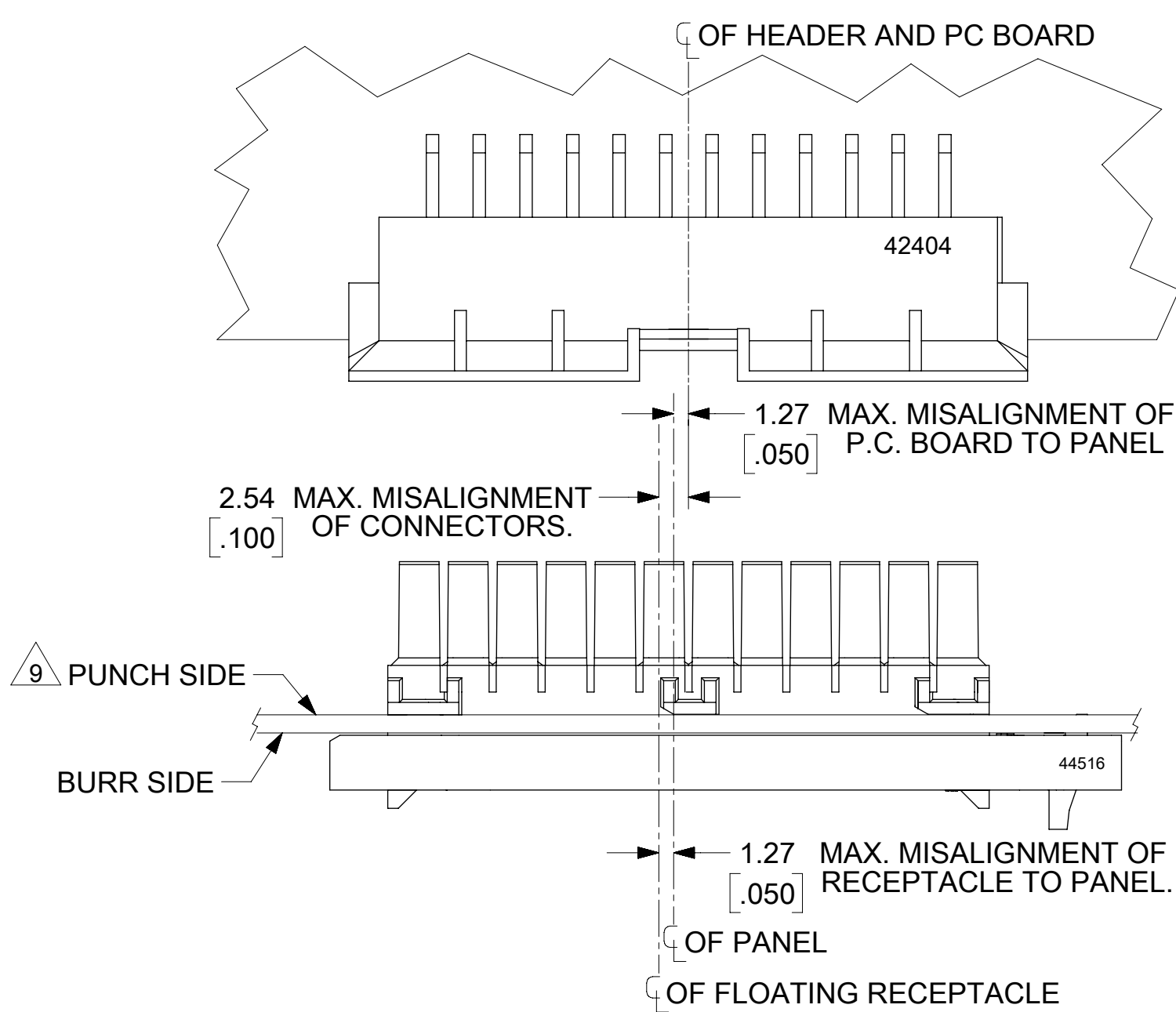


SECTION A-A
TERMINAL ORIENTATION

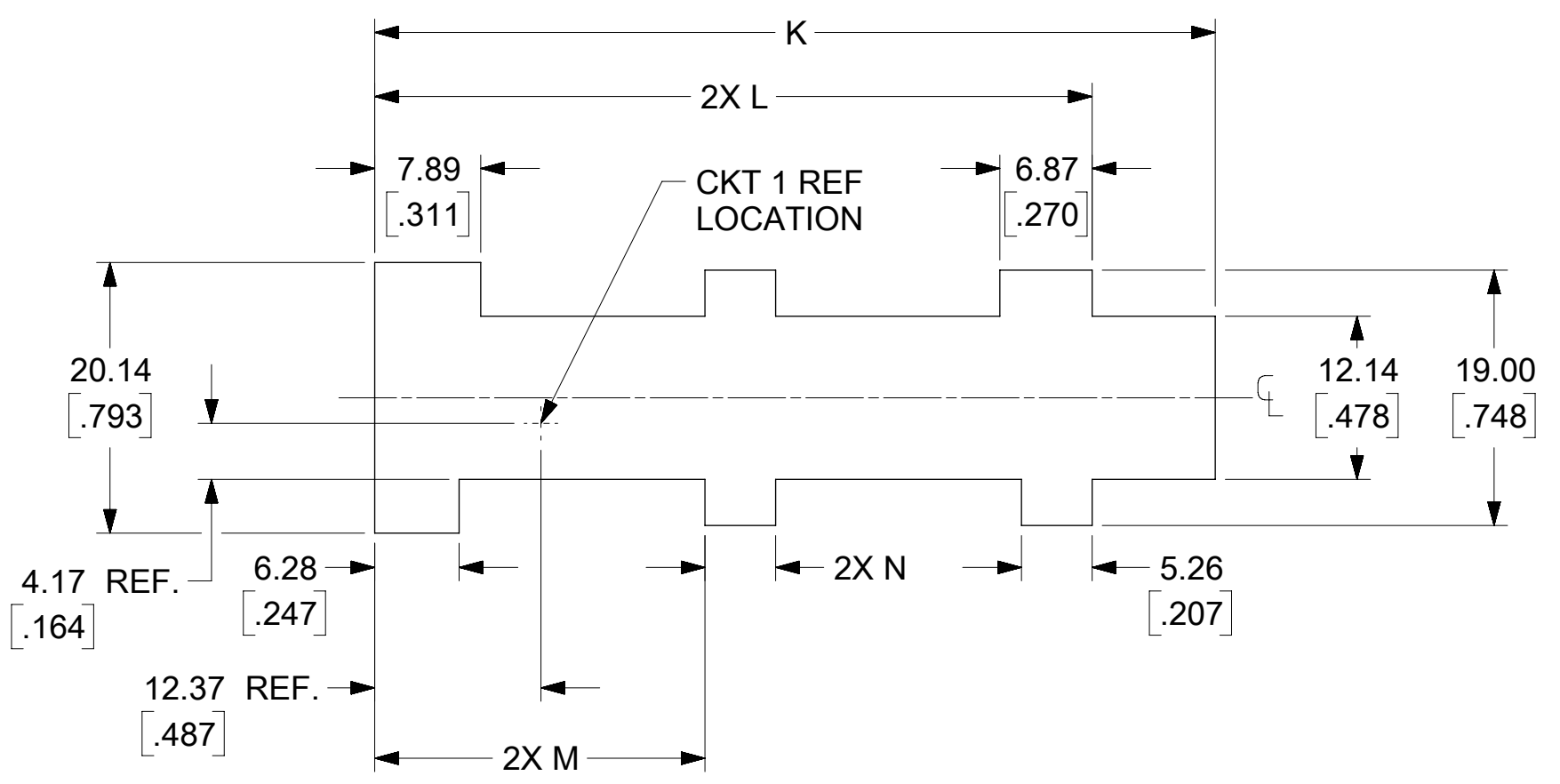
NOTES:

- MATERIAL:
PBT, UNFILLED BALCK, V-0.
- FINISH: NOT APPLICABLE
- PRODUCT SPECIFICATION: PS-44516-001
- PACKAGING SPECIFICATION:
BULK PER PK-44516-002
- PART MATES WITH MINI-FIT B.M.I. PLUG #42475 AND HEADERS 42404, 42440, 44068, 43879, 43810, AND 43759.
- PART TO BE USED WITH MOLEX FEMALE TERMINAL #5556, 44476 OR 45750.
- A MAXIMUM TOLERANCE OF 1.27/[.050] ALLOWS FOR 2 POINTS OF ELECTRICAL CONTACT. A MAXIMUM TOLERANCE OF 0.51/[.020] ALLOWS FOR 4 POINTS OF CONTACT.
- CONNECTOR ASSEMBLIES ARE NOT TO BE MATED OR UNMATED WHILE CIRCUITS ARE LIVE.
- PANEL SHOULD BE PUNCHED IN THE DIRECTION OPPOSITE OF CONNECTOR INSERTION.
- THIS PART IS NOT INTENDED TO PROVIDE ANY ALIGNMENT OF CUSTOMER COMPONENTS OR MODULES, SUCH AS POWER SUPPLIES AND CHASSIS.
- PANEL CUT-OUT DIMENSIONS HAVE A TOLERANCE OF ± 0.076 /[.003].
- IT IS THE RESPONSIBILITY OF THE CUSTOMER TO ENSURE THAT THE PANEL TO WHICH THE RECEPTACLE IS TO BE MOUNTED, IS SUFFICIENTLY SUPPORTED SO THAT FLEXING OF THE PANEL DURING MATING DOES NOT PREVENT THE CONNECTOR SYSTEM FROM BEING FULLY MATED.
- IT IS RECOMMENDED THAT THE CABLES EXITING THE RECEPTACLE BE DRESSED IN A MANNER THAT WILL ALLOW THE RECEPTACLE TO FLOAT FREELY WHEN MOUNTED IN IT'S RESPECTIVE PANEL.
- THIS PART IS NOT INTENDED TO ACT AS A HARD STOP FOR CUSTOMER COMPONENTS.
- WIRES TO BE DRESSED IN SUCH A MANOR TO ALLOW THE TERMINALS TO FLOAT FREELY IN THE POCKET
- PART CONFORMS TO CLASS "B" REQUIREMENTS OF COSMETIC SPECIFICATION PS-45499-002
- THIS CONNECTOR ALLOWS FOR 1.27/[.050] MAX. MISALIGNMENT IN ANY DIRECTION.

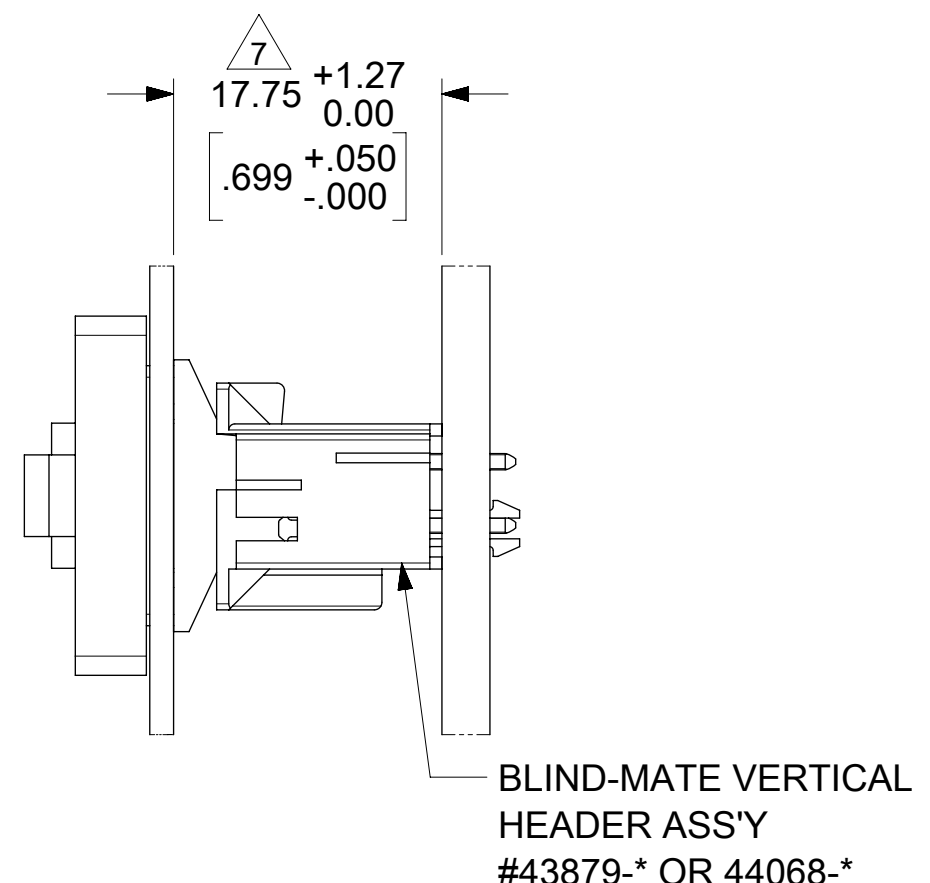
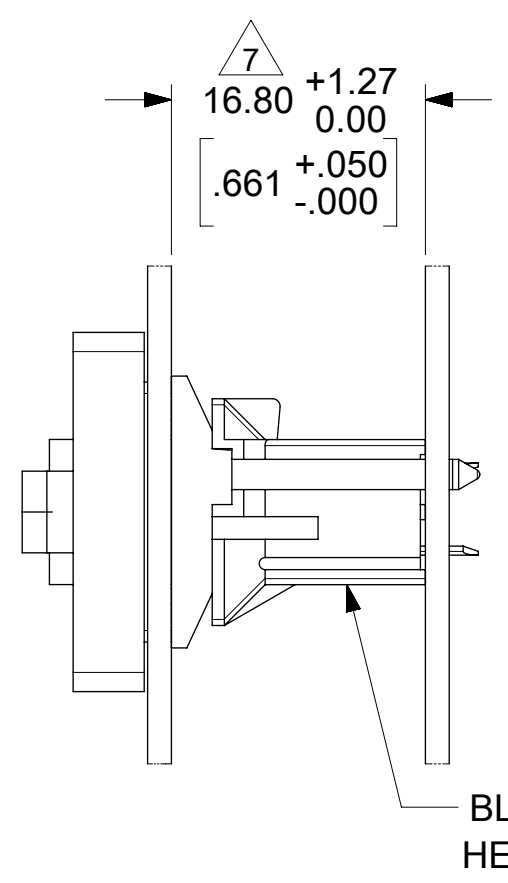
THIS DRAWING CONTAINS INFORMATION THAT IS PROPRIETARY TO MOLEX ELECTRONIC TECHNOLOGIES, LLC AND SHOULD NOT BE USED WITHOUT WRITTEN PERMISSION											
DIMENSION UNITS MM/INCH		SCALE 2:1		CURRENT REV DESC: MIGRATED TO NX, CHANGE PACKAGING FOR 24CKT						molex	
GENERAL TOLERANCES (UNLESS SPECIFIED)				EC NO: 627153		DRWN: DSTEIER 2019/11/08		PANEL-MOUNT RECEPTACLE 18-24 CIRCUIT BLIND MATE MINI-FIT SLIDE 'N' LOCK			
4 PLACES		±		CHK'D: DSTEIER 2020/01/28		APPR: FSMITH 2020/02/05					
3 PLACES		±		APPR: FSMITH 2020/02/05		INITIAL REVISION:		PRODUCT CUSTOMER DRAWING			
2 PLACES		± 0.25		± 0.014		DRWN: HRIBAR 2001/07/17		DOCUMENT NUMBER			
1 PLACE		± 0.35		±		APPR: FSMITH 2012/05/04		SD-44516-005			
0 PLACES		±		±		ANGULAR TOL ± 0.5 °		DOC TYPE DOC PART REVISION			
DRAFT WHERE APPLICABLE MUST REMAIN WITHIN DIMENSIONS		THIRD ANGLE PROJECTION		DRAWING		SERIES		MATERIAL NUMBER			
				C-SIZE		44516		SEE CHART			
								CUSTOMER			
								GENERAL MARKET			
								SHEET NUMBER			
								1 OF 2			



ALIGNMENT TOLERANCE FOR 1.27/[.050] MAX. BOARD-TO-PANEL MISALIGNMENT
 (±1.27/[.050] RECEPTACLE FLOAT)



RECOMMENDED PANEL CUT-OUT FOR 1.57/1.19/[.062/.047] MAX./MIN. THICK PANEL
 SHOWN FROM MATING SIDE
 (SEE NOTE 9 & 11)



THIS DRAWING CONTAINS INFORMATION THAT IS PROPRIETARY TO MOLEX ELECTRONIC TECHNOLOGIES, LLC AND SHOULD NOT BE USED WITHOUT WRITTEN PERMISSION									
DIMENSION UNITS		SCALE		CURRENT REV DESC: MIGRATED TO NX, CHANGE PACKAGING FOR 24CKT					
MM/INCH		2:1							
GENERAL TOLERANCES (UNLESS SPECIFIED)				EC NO: 627153					
		MM	INCH	DRWN: DSTEIER		2019/11/08			
4 PLACES		±	±	CHK'D: DSTEIER		2020/01/28			
3 PLACES		±	± 0.01	APPR: FSMITH		2020/02/05			
2 PLACES		± 0.25	± 0.014	INITIAL REVISION:					
1 PLACE		± 0.35	±	DRWN: HRIBAR		2001/07/17			
0 PLACES		±	±	APPR: FSMITH		2012/05/04			
ANGULAR TOL		± 0.5°		THIRD ANGLE PROJECTION		DRAWING		SERIES	
DRAFT WHERE APPLICABLE MUST REMAIN WITHIN DIMENSIONS				C-SIZE		44516		MATERIAL NUMBER	
								CUSTOMER	
								SHEET NUMBER	
								2 OF 2	

molex

PANEL-MOUNT RECEPTACLE
 18-24 CIRCUIT BLIND MATE MINI-FIT SLIDE 'N' LOCK

PRODUCT CUSTOMER DRAWING

DOCUMENT NUMBER	DOC TYPE	DOC PART	REVISION
SD-44516-005	PSD	001	E