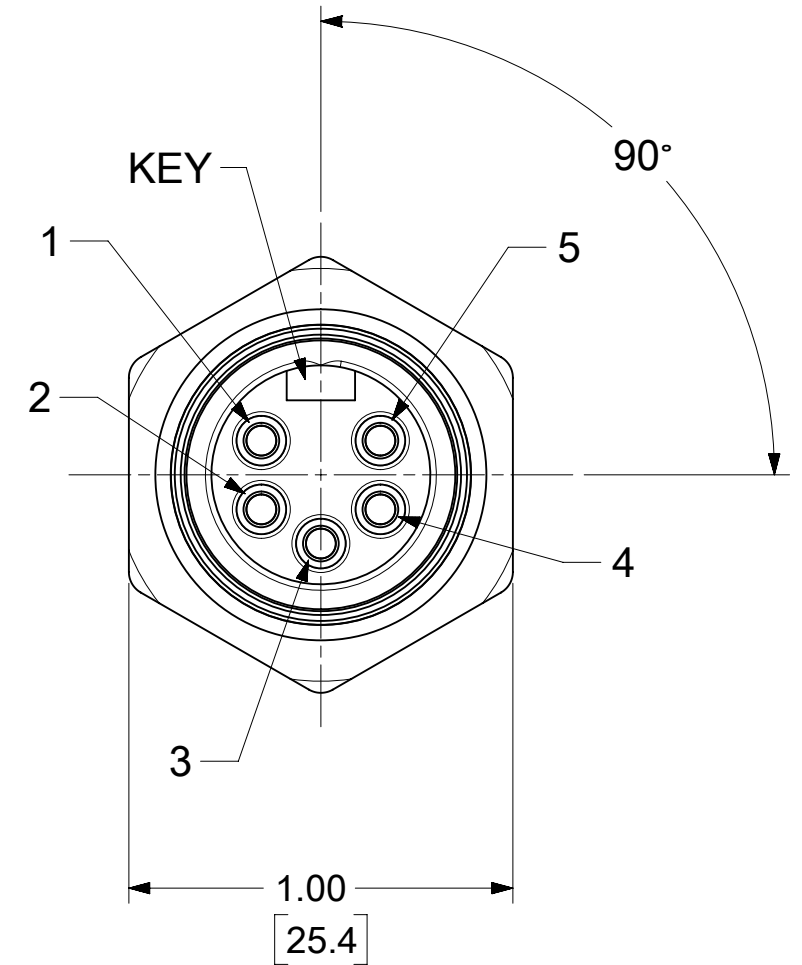
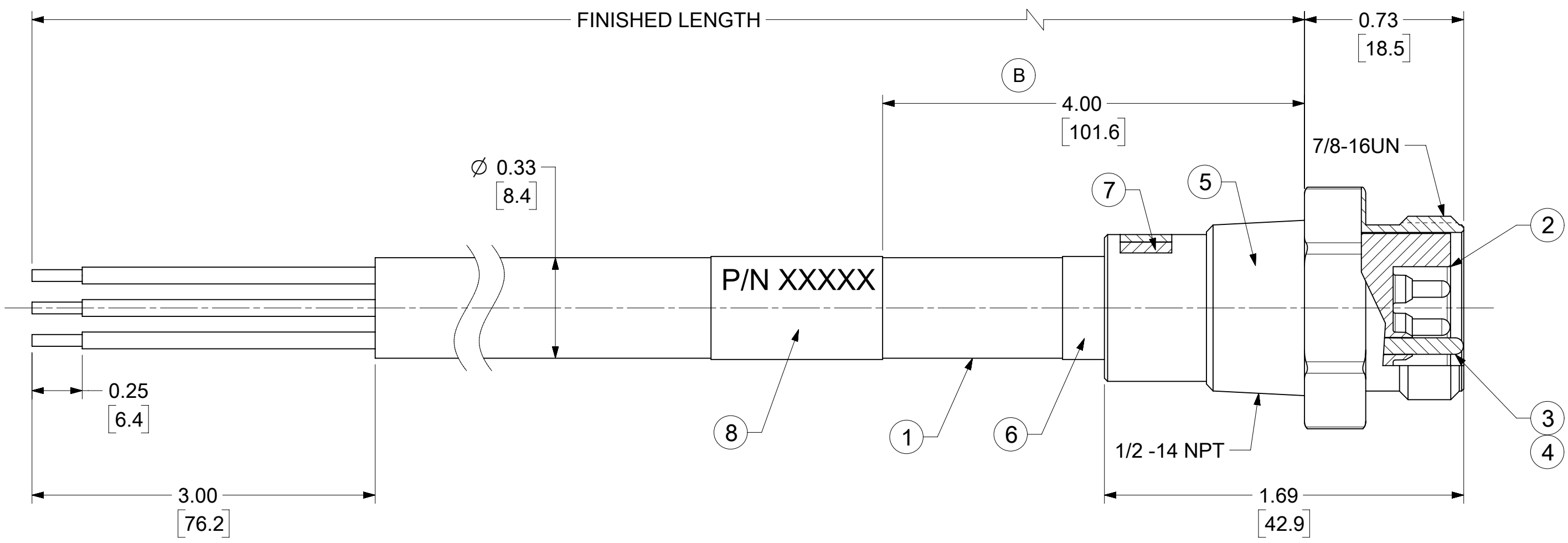
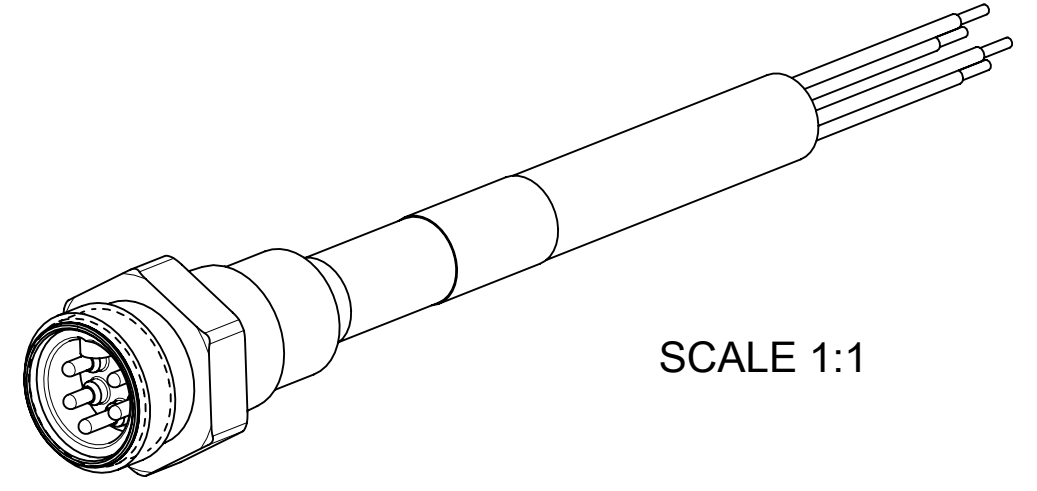


MATERIAL NO.	ENGINEERING NO.	FINISHED LENGTH
1300390317	DNB5100-M005	0.5 M (1 FT 7.69 IN)
1300390318	DNB5100-M010	1 M (3 FT 3.37 IN)

CABLE LENGTH TOLERANCES
 <.3M [1FT]: +19mm-0 [+.75in-0]
 .3 - .9M [1 - 3FT]: +44.5mm-0 [+1.75in-0]
 .9 - 1.8M [3 - 6FT]: +55.6mm-0 [+2.19in-0]
 1.8 - 3.7M [6 - 12FT]: +88.9mm-0 [+3.50in-0]
 3.7 - 7.3M [12 - 24FT]: +165.1mm-0 [+6.50in-0]
 7.3-14.6M [24 - 48FT]: +317.5mm-0 [+12.50in-0]
 14.6 - 30.5M [48-100FT]: +622.3mm-0 [+24.50in-0]
 OVER 30M [100FT] +2% OF FINISHED LENGTH



- NOTES:**
- MATERIAL: AS NOTED
 - FINISH: AS NOTED
 - ELECTRICAL:
 VOLTAGE: 300V PER IEC60664
 300V PER UL2238
 CURRENT: 4A
 - TEMP RATING: -20°C TO +80°C
 - PROTECTION: IP67 (WHEN MATED)
 - UL LISTED FILE: E152210
 CSA CERTIFIED FILE: LR6837
 - ALL DIMS ARE FOR REFERENCE UNLESS TOLERANCED OR NOTED OTHERWISE

WIRING DIAGRAM

P1	
1	DRAIN
2	RED +V
3	BLACK -V
4	WHITE CAN H
5	BLUE CAN L

PART NUMBER LEGEND

DNB5100-M010

FINISHED LENGTH
 M005= 0.5 M
 M010= 1 M
 M100= 10M

ITEM	DESCRIPTION	MATERIAL	FINISH
8	WRAP LABEL	VINYL	BLACK/YELLOW
7	POTTING MATERIAL	EPOXY	BLACK
6	HEAT SHRINK TUBING	POLYOLEFIN	BLACK
5	RECEPTACLE SHELL	ZINC DIE-CAST	NICKEL PLATE
4	PIN CONTACT 18AWG	Cu ALLOY	GOLD OVER NICKEL
3	PIN CONTACT 16AWG	Cu ALLOY	GOLD OVER NICKEL
2	MALE INSERT	TPE	BLACK
1	CABLE, DEV-NET, 16/20 AWG	PVC JACKET	GRAY

FUNCTIONAL SYMBOLS										THIS DRAWING CONTAINS INFORMATION THAT IS PROPRIETARY TO MOLEX ELECTRONIC TECHNOLOGIES, LLC AND SHOULD NOT BE USED WITHOUT WRITTEN PERMISSION									
DIMENSION UNITS					SCALE					CURRENT REV DESC: UPDATED ITEM #2.5, LABEL DIM. AND MATERIAL P/N TABLE, ADDED CSA, IEC/UL VOLT, TEMP RATING, IP RATING, TOL. CHART AND PART NUMBER LEGEND									
INCH/MM					2:1					EC NO: 711366									
GENERAL TOLERANCES (UNLESS SPECIFIED)										DRWN: AKABADI 2021/10/19									
4 PLACES ±					MM					CHK'D: RSTONE 2022/06/21									
3 PLACES ±					INCH					APPR: BWOODMAN 2022/06/24									
2 PLACES ±					1 PLACE ±					INITIAL REVISION:									
1 PLACE ±					0 PLACES ±					DRWN: RSTONE 2009/05/26									
ANGULAR TOL ± °					THIRD ANGLE PROJECTION					APPR: JFMURPHY 2009/06/10									
DRAFT WHERE APPLICABLE MUST REMAIN WITHIN DIMENSIONS										DRAWING SERIES									
C-SIZE					130039					DOCUMENT NUMBER									
SEE TABLE					GENERAL MARKET					SD-130039-004									
MATERIAL NUMBER										CUSTOMER									
PSD										001									
1 OF 1										SHEET NUMBER									