



**Electrical Specifications**

**Cutoff Frequency (Fc):** 6 MHz  
**Passband:** 6-20 MHz  
**Insertion Loss @ 12MHz:** 0.5dB Max.  
**Passband Return Loss:** 15dB Min.  
**Rejection:** 51 dB Min. @ 2.33 MHz

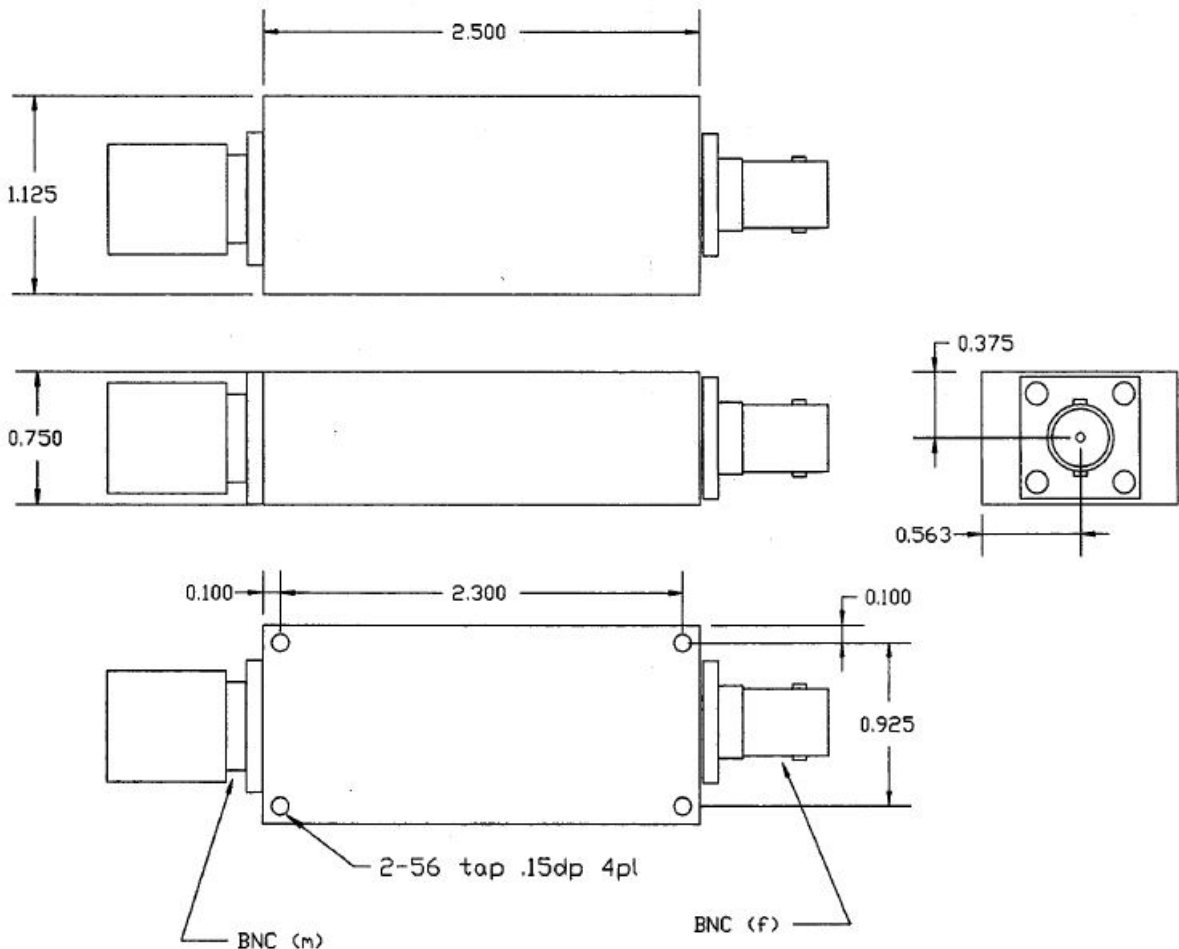
**Mechanical**

**Connector Type:** BNC(M) & BNC(F)  
**Dimensions:** 2.5" x 1.125" x 0.75"

**Environmental**

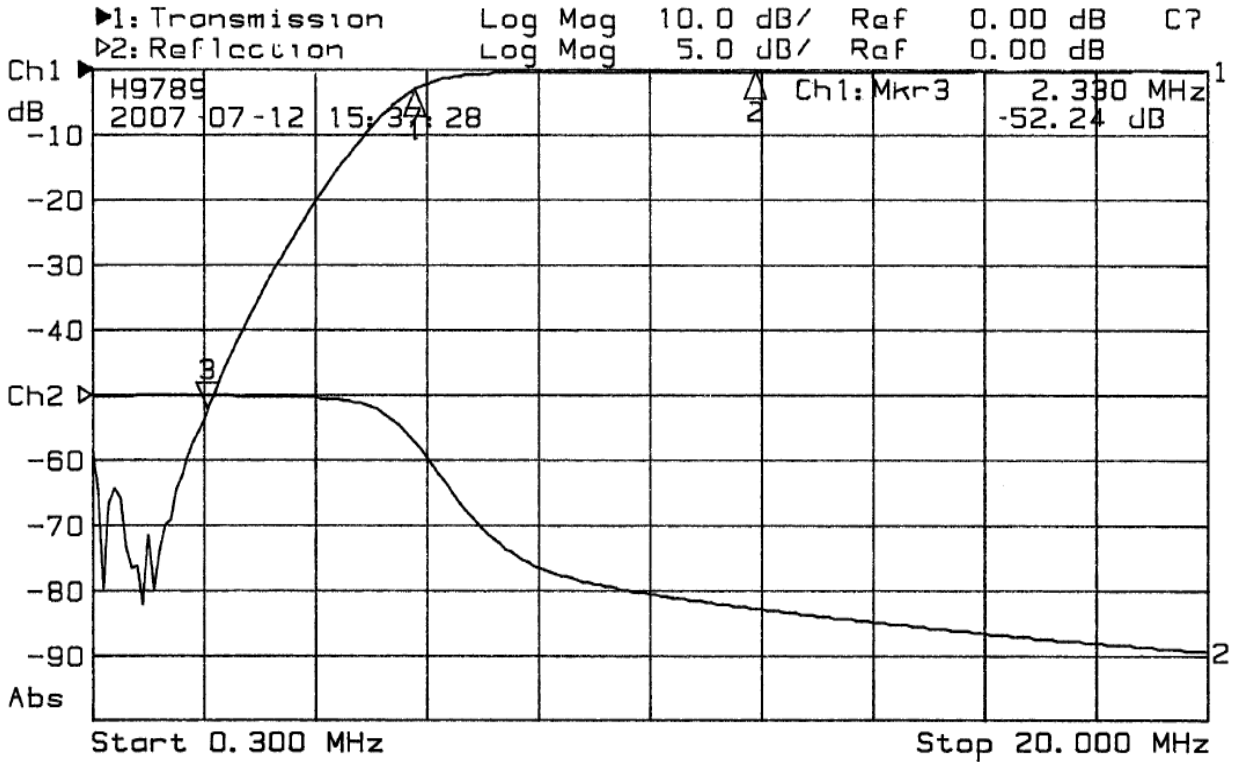
**Operating Temperature:** -25°C to +70°C  
**Storage Temperature:** -60°C to +90°C  
**Shock:** 10 G. 11ms  
**Vibration:** 10 G. 5 to 200Hz

**Outline Drawing:**





**Response Plot :**



1: Mkr (MHz)	dB	2: Mkr (MHz)	dB
1:	6.00	-2.97	
2:	12.00	-0.21	
3>	2.33	-52.24	

*Kenneth A. Jansen* (AE E2)