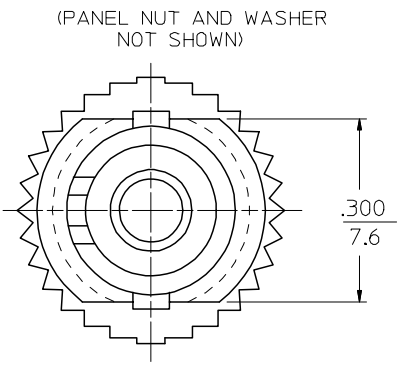
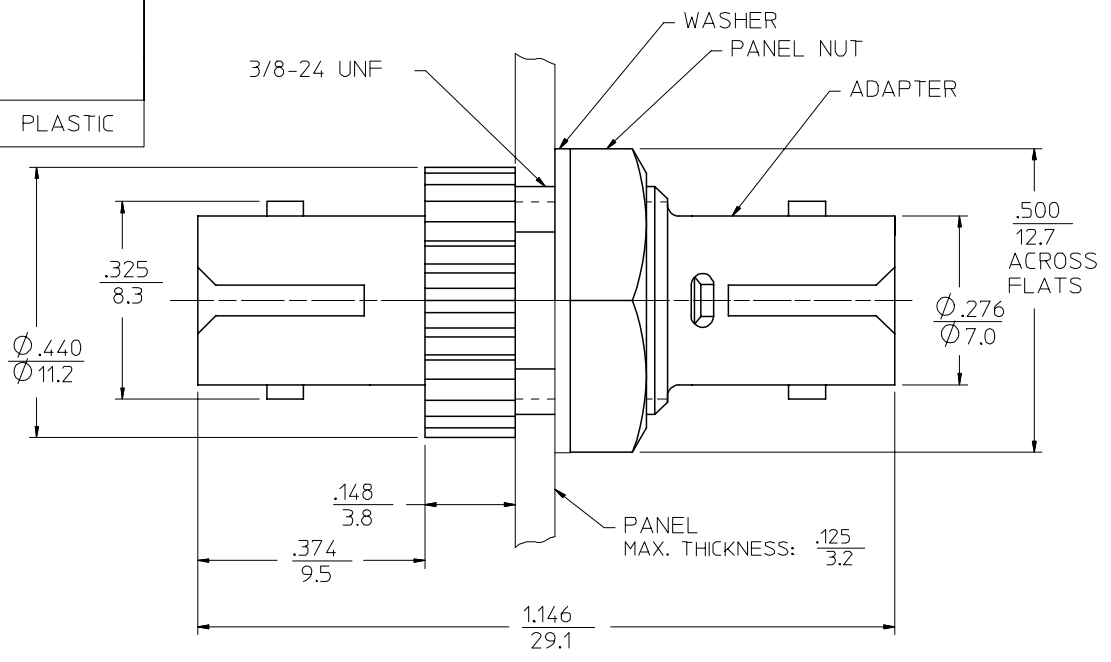
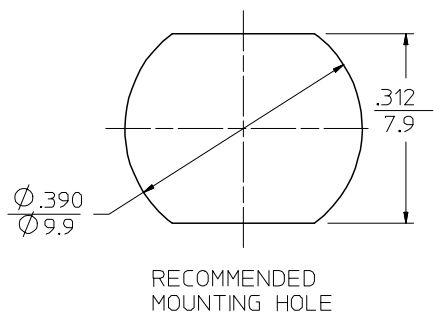


ADAPTER P/N	ALIGNMENT SLEEVE MATERIAL	DUST CAP COLOR	PANEL NUT MATERIAL
106110-1000	CERAMIC	BLACK	METAL
106110-1020*			
106112-1000	PHOSPHOR BRONZE	RED	
106112-1100*			
106113-1000	PLASTIC	BLACK	
106113-1020*			
106113-1100	PHOSPHOR BRONZE	RED	PLASTIC
106112-1010			



NOTES:
 1. DUST CAPS ARE NOT SHOWN BUT INCLUDED.
 *2. P/N 106113-1020, P/N 106110-1020 AND P/N 106112-1100 ARE BULK PACKED IN QUANTITY OF 100 PIECES.

ENTER DESCRIPTION	REV	DESCRIPTION
EC NO: MF2008-0168 DRWN: YBEDNYAK CHKD: APPR: IGUMIN	2007/10/19 2007/10/22 2007/10/22	

QUALITY SYMBOLS
▽=0
▽=0

GENERAL TOLERANCES (UNLESS SPECIFIED)	
mm	INCH
4 PLACES ± ---	± ---
3 PLACES ± ---	± ---
2 PLACES ± ---	± ---
1 PLACE ± ---	± ---
ANGULAR ±1/2°	
DRAFT WHERE APPLICABLE MUST REMAIN WITHIN DIMENSIONS	

DIMENSION STYLE	
IN/MM	
DRAWN BY	DATE
RPACIFICI	2005/12/22
CHECKED BY	DATE
APPROVED BY	DATE
MATERIAL NO.	SEE TABLE
SIZE	B

SCALE	5:1	DESIGN UNITS	INCH	THIRD ANGLE PROJECTION
TITLE				
ST TYPE ADAPTER (METAL BODY)				
MOLEX INCORPORATED				SHEET NO.
SD-10611X-1X00				1 OF 01
THIS DRAWING CONTAINS INFORMATION THAT IS PROPRIETARY TO MOLEX INCORPORATED AND SHOULD NOT BE USED WITHOUT WRITTEN PERMISSION				