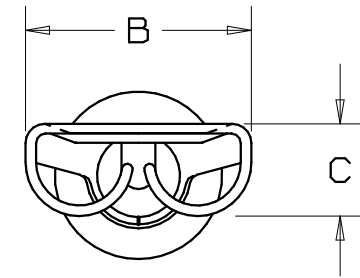
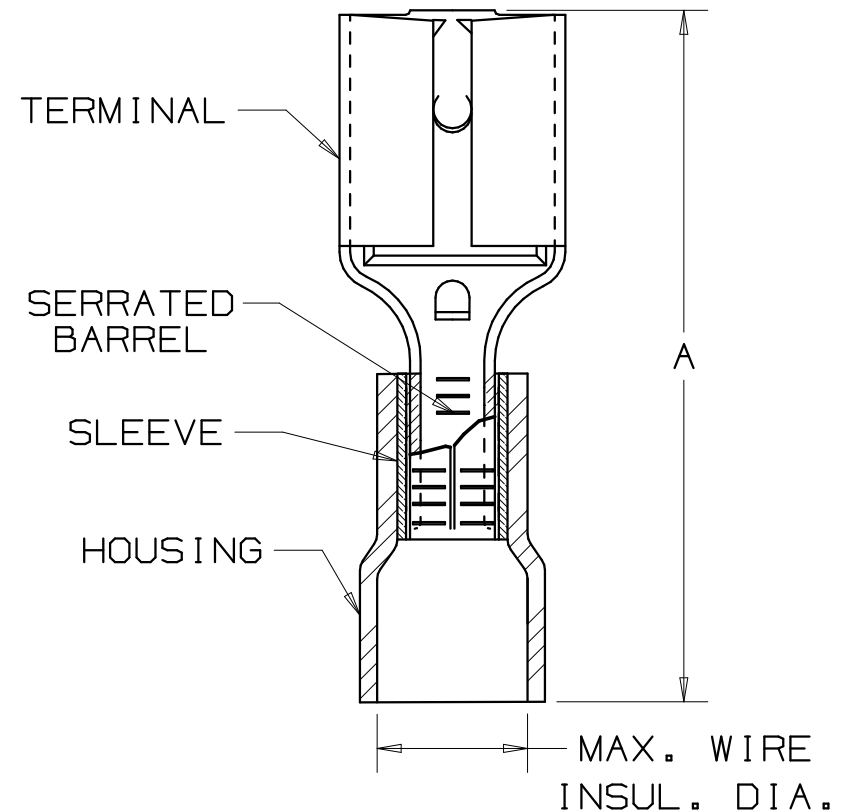


PART #		TAB SIZE	WIRE RANGE mm ²	MAX. INSUL. DIA.	DIMENSIONS mm		
PREFIX	PK				A ±0,4	B ±0,3	C ±0,3
DMV6-63	-X -L -D	6,3 X 0,8 (.250 X .032)	4,0-6,0	5,8 (.23)	25,7 (1.01)	7,6 (.30)	3,3 (.13)



NOTES:

- USED FOR:
 - A. 600V. MAX. VOLTAGE RATING
 - B. STRANDED COPPER WIRE ONLY
 - C. 105°C (221°F) MAX. TEMP. RATING
- MATERIAL:
 - A. STAMPING - 0,46mm (.02) THK BRASS, TIN PLATED
 - B. SLEEVE - BRASS, TIN PLATED
 - C. HOUSING - YELLOW VINYL
- FIRST INSERTION FORCE - 53 N (12 LB) MAX
FIRST WITHDRAWAL FORCE - 53 N (12 LB) MAX
27 N (6 LB) MIN
- DIMENSIONS IN BRACKETS ARE IN INCHES
- PACKAGE QTY:
 - A. -X =10, -L =50, -D =500
- WIRE STRIP LENGTH: 7,1 ⁺⁸/₋₀ (9/32 ^{+1/32}/₋₀)
- INSTALLATION TOOLS: REF. DWGS.
A41522, A41523, A41524, A41525



05	10/06	DAW	DAW	ADDED -X PACKAGING QTY.	TR00171	LCA	TRO
04	7/03	KLFU	SKB	ADDED INTERNAL SERRATIONS	012453	SKB	TRO
03	2/98	TM	RS	UPDATED DIMENSIONS AND TOL'S	06634	LA	DH
02	10/97	TM	WB	CHANGED DECIMAL POINTS TO COMMAS	06433	LA	DH
01	4-94	SM	RS	REMOVED CURL FLOOR SLOTS	02215	LA	JJMO
REV	DATE	BY	CHK	DESCRIPTION	ECN #	CUST	PM

A41442_05

PANDUIT

CORP.

TINLEY PARK, ILLINOIS

VINYL INSULATED FEMALE METRIC DISCONNECT SLEEVED BARREL, (6,4mm X 0,81mm TAB SIZE) 4.0-6,0mm² BARREL

DRAWN BY: **BDK** CHK'D: **RS** SCALE: **NONE** DRAWING NO.: **A41442**