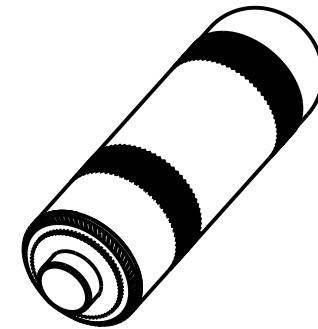
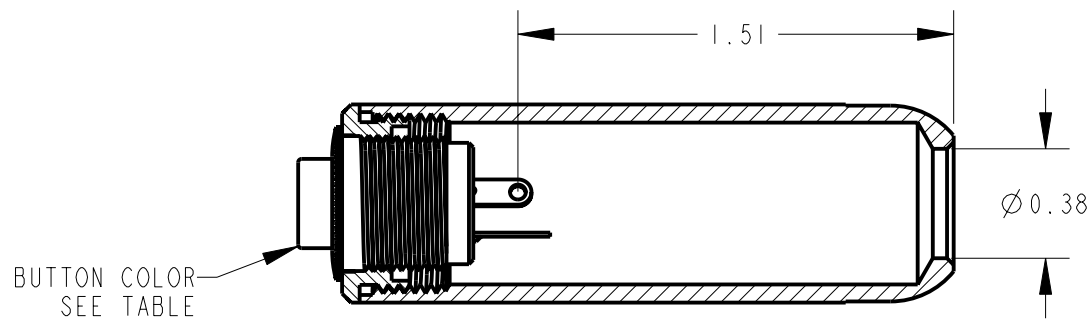


PART NUMBER	BUTTON COLOR
E903	RED
E913	BLACK

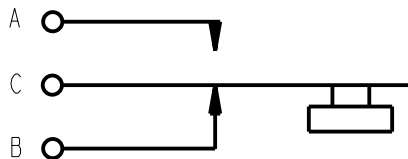


SECTION A-A

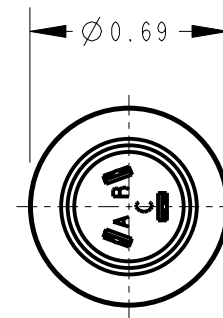
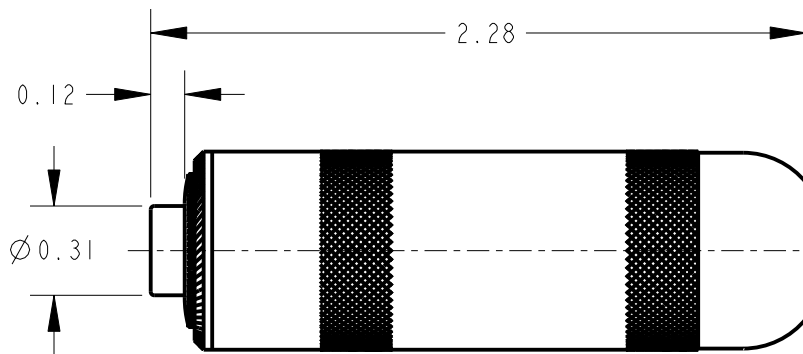
NOTES:

- MATERIALS:  
 PUSHBUTTON - THERMOPLASTIC, SEE TABLE FOR COLOR  
 SWITCH HOUSING & ADAPTER - COPPER ALLOY, NICKEL PLATED  
 SWITCH TERMINALS - COPPER ALLOY, SILVER PLATED  
 SWITCH SPRING - STAINLESS STEEL  
 SWITCH INSULATORS - PHENOLIC  
 HANDLE - COPPER ALLOY, NICKEL PLATED

2. THESE PRODUCTS ARE RoHS COMPLIANT.



SCHEMATIC



CUSTOMER DRAWING

					★ STAR SYMBOL DENOTES CRITICAL DIMENSION	THIS DRAWING DESCRIBES A DESIGN CONSIDERED PROPRIETARY IN NATURE, DEVELOPED AND MANUFACTURED BY SWITCHCRAFT INC. AND IS RELEASED ON A CONFIDENTIAL BASIS FOR IDENTIFICATION PURPOSES ONLY.					
					UNLESS OTHERWISE SPECIFIED	SIZE	WIDTH	MULT	LBS/M	TEMPER	
					1. ALL DIMENSIONS IN INCHES - TWO PLACE DECIMALS ±0.01 - THREE PLACE DECIMALS ±0.005 - ANGLES ±1° - ALL DIA. CONCENTRIC WITHIN 0.005 T.I.R.	FINISH			MATERIAL		
					2. FEATURES ON THE SAME CENTERLINE MUST BE ALIGNED WITHIN ±0.002	SPEC No.		SPEC No.			
					3. REMOVE ALL BURRS	FIRST USED ON		SCALE 3:2			
						DATE DRAWN	BY	CHKD	APVD	<b>Switchcraft®</b>	
						18-Mar-13	TO	TO 3-18-13	TJK 3-19-13		
						NAME			PART No.		
						CORD SWITCH, RoHS			E903_E913		
									REV E		
REVISIONS					DO NOT SCALE DRAWING						