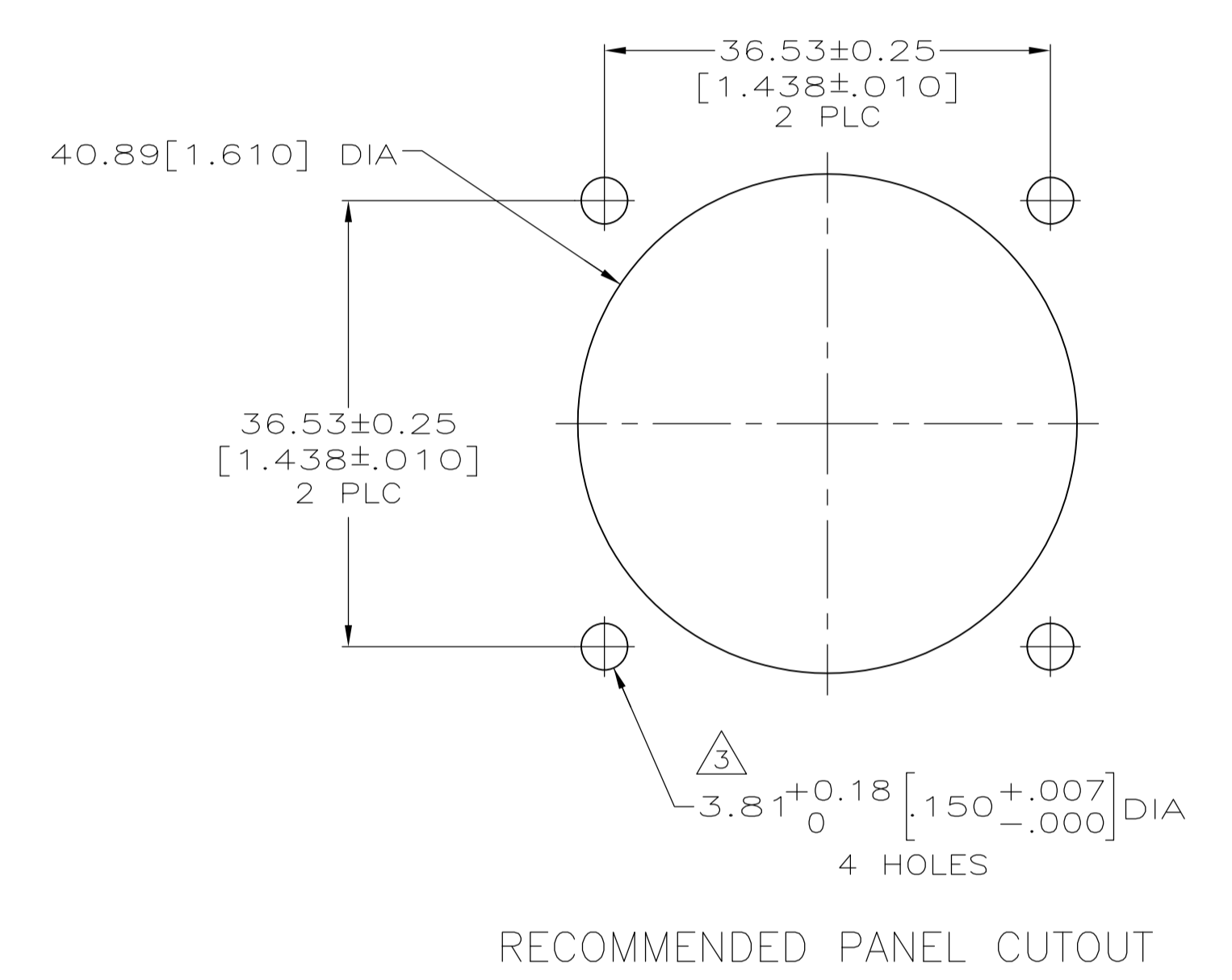
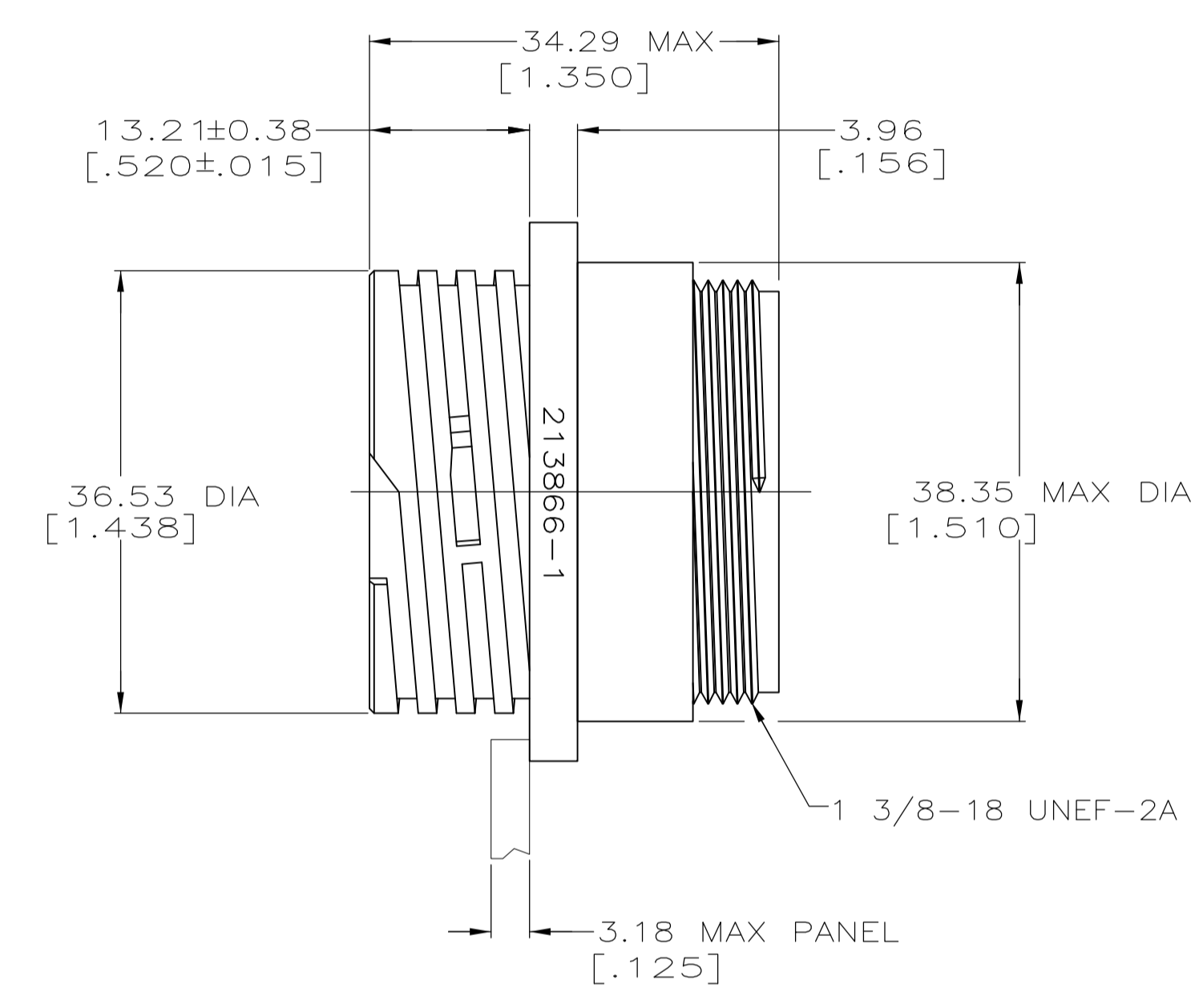
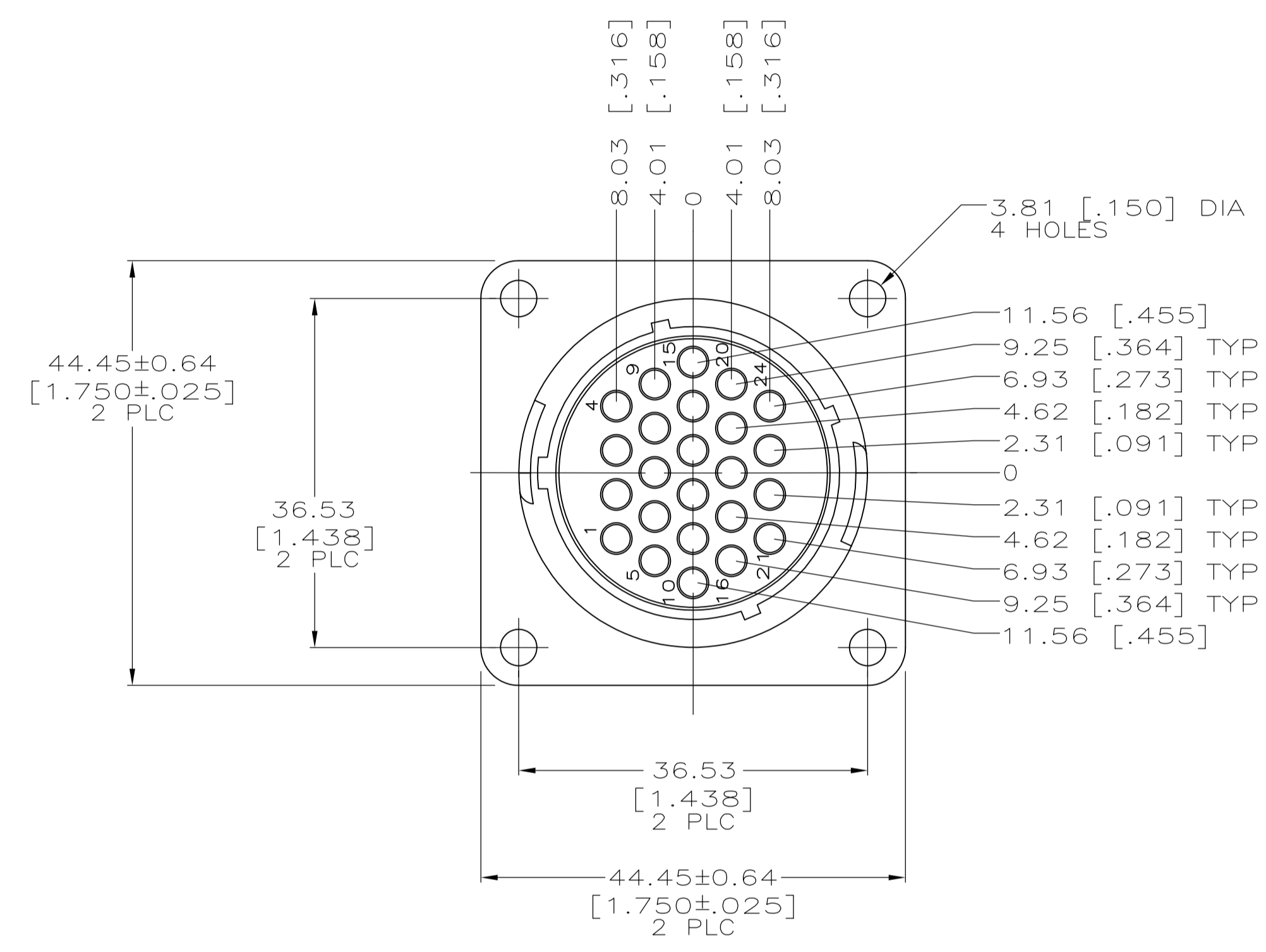


LOC		DIST		REVISIONS			
P	LTR	DESCRIPTION	DATE	DNW	APVD		
A		REVISED PER ECO-12-015521	28SEP12	KH	MZ		

- 1 CAVITY IDENTIFICATION ON FRONT AND REAR FACE.
- 2 WILL ACCEPT (24) MULTIMATE PIN CONTACTS.
- 3 NO 4 FASTENER RECOMMENDED FOR MOUNTING.
- 4 MAXIMUM INSULATION NOT TO EXCEED .150 DIA.



THIS DRAWING IS A CONTROLLED DOCUMENT.		DIN K.FOLTZ 12/23/94		
DIMENSIONS: INCHES		CHK R.STONE 01/05/95		
TOLERANCES UNLESS OTHERWISE SPECIFIED:		APVD T.COULSON 01/05/95	NAME RECEPTACLE HOUSING, STANDARD SEX, SIZE 23, CPC	
0 PLC ± - 1 PLC ± - 2 PLC ± 0.25 [.010] 3 PLC ± - 4 PLC ± - ANGLES ± -		PRODUCT SPEC 108-10024	SIZE A1	
MATERIAL NYLON, BLACK		FINISH -	WEIGHT -	SCALE 2:1
CUSTOMER DRAWING		DRAWING NO 00779	DRAWING NO 213866	SHEET 1 OF 1
		REV A		