

W57M- (1) (2) (3) (4) (5) - (6)

SWITCH FUNCTION CODE	SWITCH FUNCTION DESCRIPTION
1	MECHANICAL, MOMENTARY, SOLDER TERMINAL
2	MECHANICAL, MAINTAIN, SOLDER TERMINAL
5	MECHANICAL, MOMENTARY, P.C. TERMINAL
6	MECHANICAL, MAINTAIN, P.C. TERMINAL
A	MECHANICAL, MOMENTARY, WIRELEADS
B	MECHANICAL, MAINTAIN, WIRELEADS

HOUSING MATERIAL CODE	HOUSING DESCRIPTION
1	ZINC ALLOY, VELOUR CHROME PLATED
2	ZINC ALLOY, MIRROR BLACK
3	ZINC ALLOY, MATT BLACK
4	STAINLESS STEEL, NATURAL

BUTTON TYPE CODE	BUTTON TYPE DESCRIPTION
0	NON-ILLUMINATION
1	CENTER SPOT ILLUMINATION
2	RING ILLUMINATION
3	POWER/STANDBY SYMBOL ILLUMINATION
4	HIGH BUTTON NON-ILLUMINATION

1. VELOUR CHROME / MATT BLACK / STAINLESS STEEL BUTTON SUPPLY FOR:  
NON-LIT. / RING ILL. / POWER ILL.  
2. MIRROR BLACK BUTTON SUPPLY FOR:  
NON-LIT. / CENTER SPOT ILL.  
3. HIGH BUTTON NON-ILLUMINATION ONLY SUPPLY FOR STAINLESS STEEL HOUSING.

LED COLOR CODE	LED COLOR
N	NONE
R	RED
A	AMBER
Y	YELLOW
B	BLUE
G	GREEN
W	WHITE
RB	RED/BLUE
RG	RED/GREEN

LED INLET VOLTAGE CODE		LED INLET VOLTAGE
NON-WIRELEADS	IF BLANK*	FOLLOW LED SPECIFICATION
	05	5V (SEE NOTE3)
WIRELEADS	IF BLANK*	FOLLOW LED SPECIFICATION
	05	5V (SEE NOTE3)
	12	12V
	24	24V

ANY CODE	DESCRIPTION
IF BLANK*	NA
D	SHORT SLEEVE

**MECHANICAL CHARACTERISTICS:**

SWITCH CIRCUITRY: SPST-NO-DB (CONTACT FORM X)  
 SWITCH ACTION: MOMENTARY/MAINTAINED (PER CHART)  
 BUTTON TRAVEL: .090 [2.3mm] NOMINAL  
 OPERATING FORCE: 3N [306g] NOMINAL  
 CONTACT BOUNCE: 1ms NOMINAL  
 PANEL THICKNESS: .020 - .236 [0.5 - 6.0mm]  
 SWITCH CONTACTS: GOLD PLATED  
 NUT TORQUE FORCE: MAX 10 LB/in [11.5 kgf/cm]

**ENVIRONMENTAL SPECIFICATIONS:**

ACTUATOR INGRESS PROTECTION: IP67

**OPERATING TEMPERATURE:**

MOMENTARY TYPE: -40°F to +185°F [-40°C to +85°C]  
 MAINTAINED TYPE: -13°F to +185°F [-25°C to +85°C]

**ELECTRICAL SPECIFICATIONS:**

MOMENTARY: 10mA@12VDC, 1,000K CYCLES NOMINAL  
 MAINTAINED: 50K CYCLES NOMINAL

DIELECTRIC STRENGTH: 1,000VAC

INSULATION RESISTANCE: 1G OHM

CONTACT RESISTANCE:

50m/250m OHMS MAX INITIAL (NON-WIRELEADS/WIRELEADS)

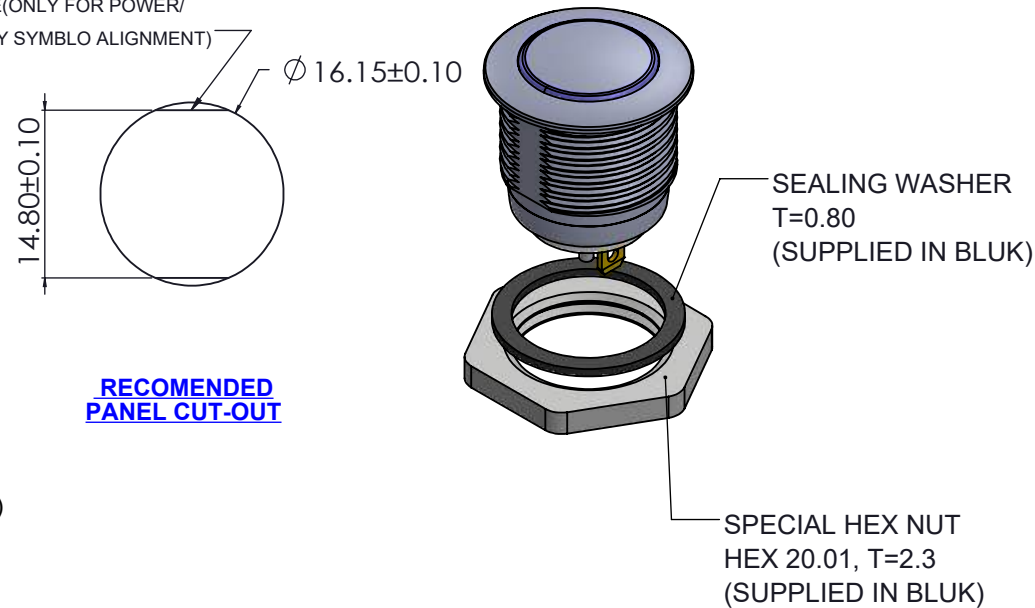
LED SPECIFICATIONS:

SEE LED SPECIFICATION

**NOTE**

- CURRENT LIMITING RESISTOR IS REQUIRED TO LIMIT LED FORWARD CURRENT TO 20mA
- SUPPLY HEX NUT AND SEALING WASHER BULK PACKED
- INNER RESISTOR ONLY FOR LED: RED / BLUE / GREEN / WHITE.

FLAT SIDE (ONLY FOR POWER/STANDBY SYMBOL ALIGNMENT)



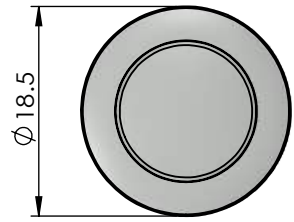
**RECOMENDED PANEL CUT-OUT**

LED SPECIFICATION					
LED CODE	LED SINGLE COLOR	Vf(VDC)	If (mA)	CIRCUITRY	
		TYP.			
R	RED	2.0	20		
A	AMBER	2.0	20		
Y	YELLOW	2.0	20		
G	GREEN	3.0	20		
B	BLUE	3.1	20		
W	WHITE	3.3	20		
LED CODE	BICOLOR LED		Vf(VDC)	If (mA)	CIRCUITRY
	COLOR1	COLOR2	TYP.		
RB	RED	BLUE	2.0(RED) 3.3(BLUE)	20	
RG	RED	GREEN	2.0(RED) 3.4(GREEN)	20	

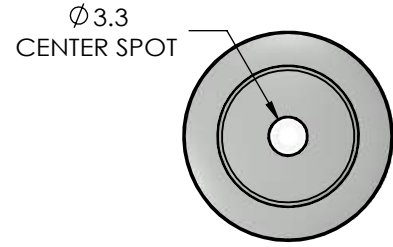
Notes:  
Hand Soldering Temperature (4mm above from Body) : 320°C for 3 seconds

DWG TYPE SALES DRAWING	DRAWN <i>K.Y.</i>	TOLERANCES: UNLESS OTHERWISE NOTED X.X ± 0.5 X.XX ± 0.2 ANGULAR ± 1°	DWG TITLE W57M-MECHANICAL MAINTAIN, NONE/CENTER SPOT/ POWER STANDBY SYMBOL ILLUMINATION		
STATUS RELEASE	REVIEW <i>A.H.</i>	THIRD ANGLE PROJECTION 	DWG NO. W57M-1,2,5,6,A,B		
<small>This document is the intellectual property of ITW Electronic Business Asia Co., Limited and may contain confidential, proprietary, privileged information protected by law. Neither this document nor any information it contains can be reproduced, transformed to any other format, or distributed, without written permission by ITW Electronic Business Asia Co., Limited.                  本文件為安達維百電股份有限公司之智慧財產，非經許可不得翻取、複製、轉變成其他形式使用或散佈</small>			<input checked="" type="checkbox"/> 管制文件 <input type="checkbox"/> 非管制文件	Unit mm SCALE 3:2 REV 7 RoHS Compliant	

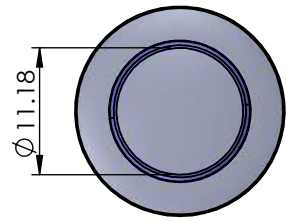
**NONE ILLUMINATION TYPE**



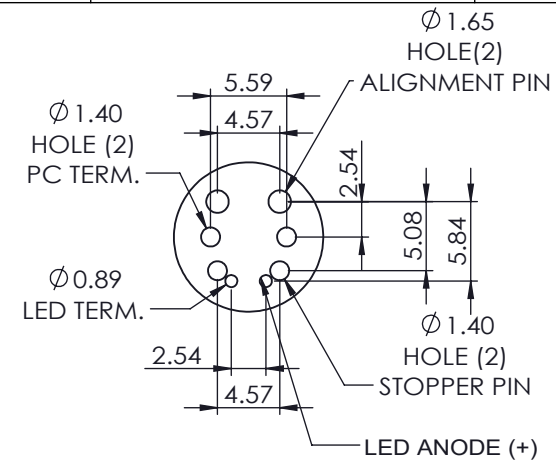
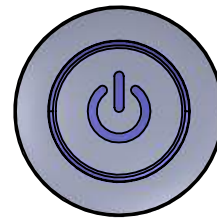
**CENTER SPOT ILLUMINATION TYPE**



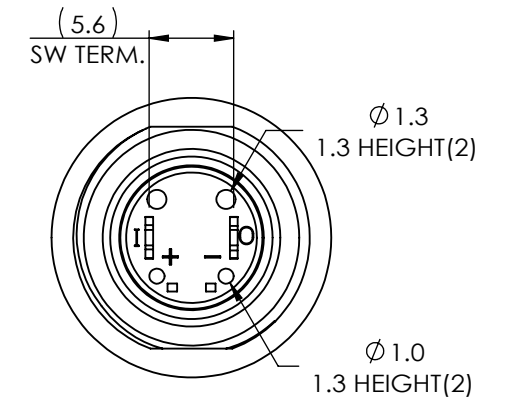
**RING ILLUMINATION TYPE**



**POWER ILLUMINATION TYPE**

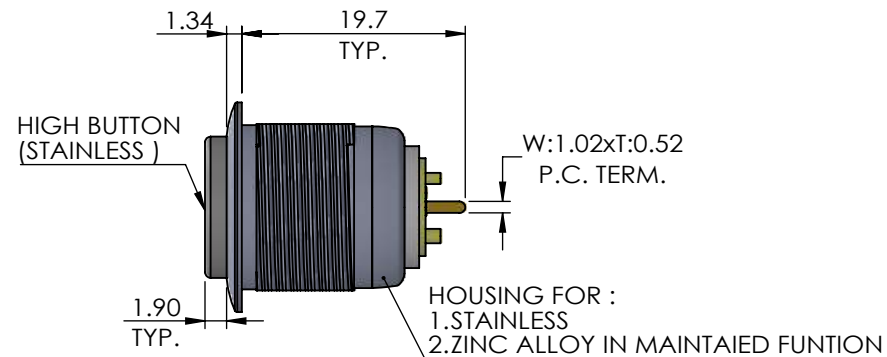


**RECOMMENDED P.C. BOARD HOLE PATTERN (FOR PC TERMINAL) COMPONENT SIDE**

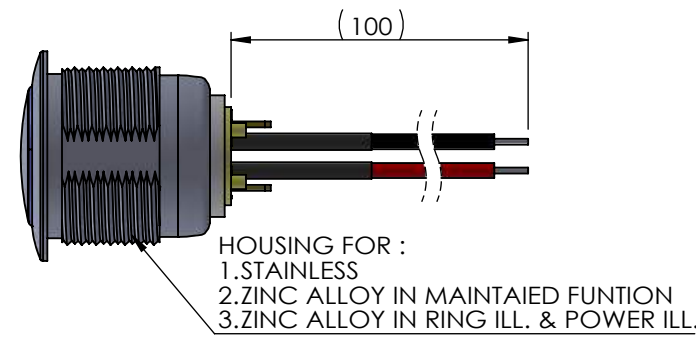


**DETAIL FOR TERMINAL POSITION**

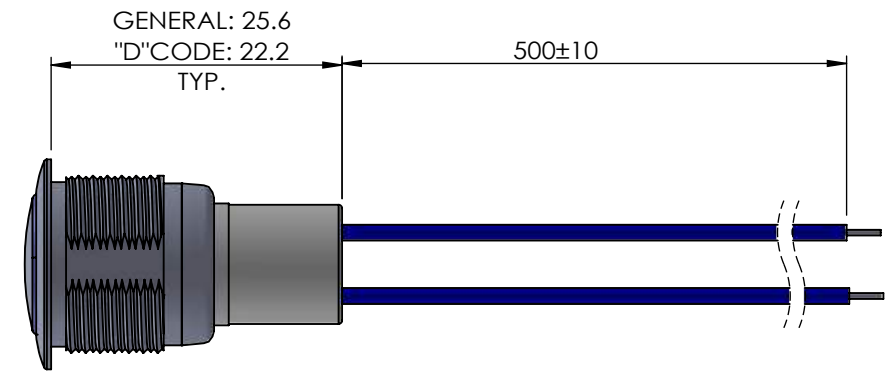
**NON ILLUMINATION**



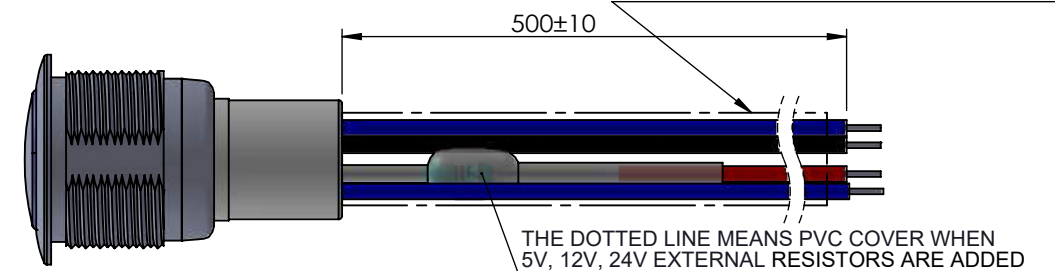
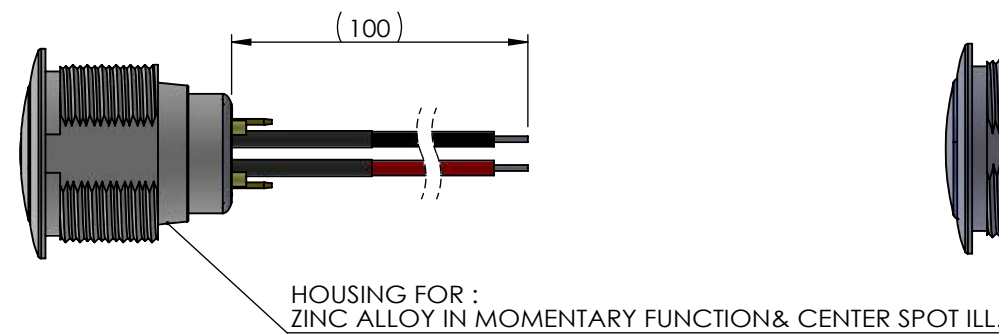
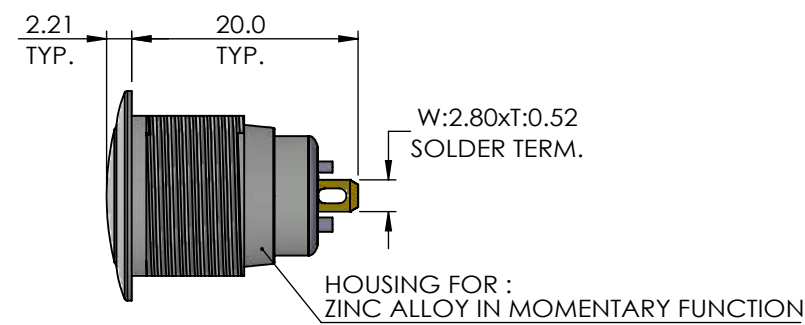
**ILLUMINATION**



**WIRELEADS**



CURRENT LIMIT RESISTOR ONLY FOR:  
1. 5 VDC REQUIRES ONE EXTERNAL RESISTOR:  
A/Y/RB/RG LED SUPPLY  
2. 12 VDC, 24 VDC LED SUPPLY



DWG TYPE SALES DRAWING	DRAWN <i>K.Y.</i>	TOLERANCES: UNLESS OTHERWISE NOTED X.X ± 0.5 X.XX ± 0.2 ANGULAR ± 1°	DWG TITLE W57M-MECHANICAL MAINTAIN, NONE/CENTER SPOT/ POWER STANDBY SYMBOL ILLUMINATION				
STATUS RELEASE	REVIEW <i>a.h.</i>	THIRD ANGLE PROJECTION 	DWG NO. W57M-1,2,5,6,A,B				
<small>This document is the intellectual property of ITW Electronic Business Asia Co., Limited and may contain confidential, proprietary, privileged information protected by law. Neither this document nor any information it contains can be reproduced, transformed to any other format, or distributed, without written permission by ITW Electronic Business Asia Co., Limited. 本文件為安達維百電有限公司之智慧財產，非經許可不得翻取、複製、轉變成其他形式使用或散佈</small>		DATE 2017/12/29	REF: 57M-1,2,5,6,A,B	<input checked="" type="checkbox"/> 管制文件 <input type="checkbox"/> 非管制文件			
			Unit mm	SCALE 3:2	REV 7	RoHS Compliant	SHEET 2 OF 3