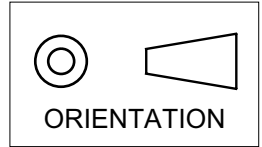


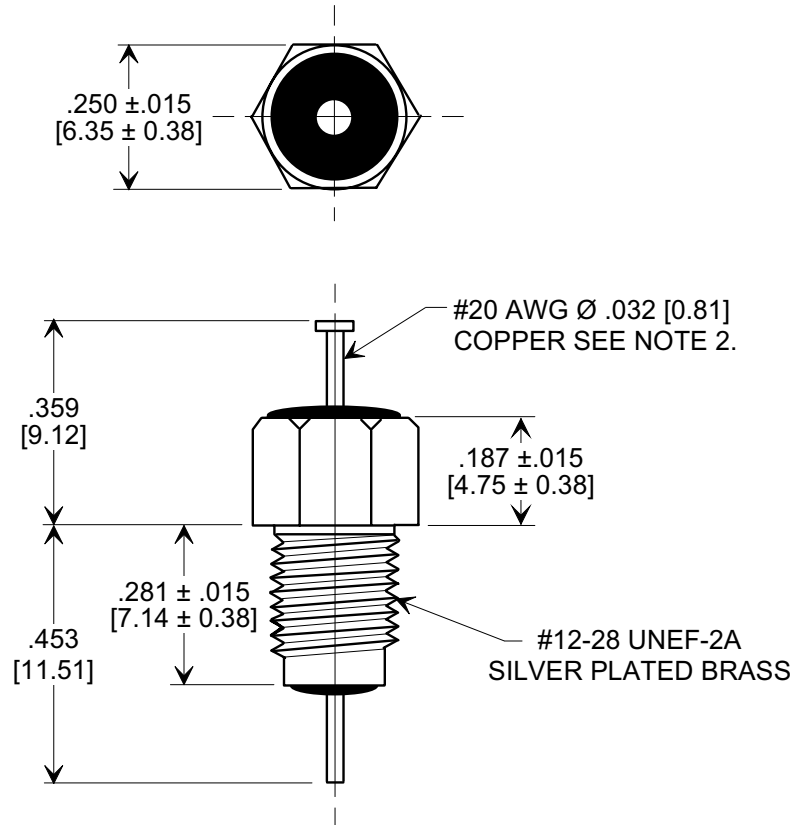
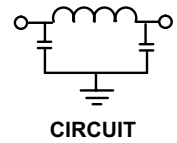
**MARKETING SALES DRAWING**

**DIMENSIONS IN INCHES - DO NOT SCALE THIS DRAWING**  
**DIMENSIONS IN METRIC - [ ]**

This drawing is the property of Tusonix, Inc., and may not be used, reproduced, published or disclosed to others without expressed authorization by Tusonix Inc.



**Electrical Testing per Tusonix standard test plans and Mil-Std-202 Test Methods.**



**NOTES:**

- TUSONIX STANDARD PART NUMBER: 4204-051.  
 TUSONIX RoHS COMPLIANT PART NUMBER: 4204-051 LF.  
 CUSTOMER MUST SPECIFY STANDARD OR RoHS PART NUMBER WHEN ORDERING.
- LEAD FINISH: STANDARD PART #: 60/40 SOLDER PLATED. RoHS PART #: SILVER PLATED.
- PART MARKING: TRADEMARK AND VARIATION NUMBER ON HEX FLATS.  
 STANDARD PART: BLACK INK. RoHS PART: GREEN INK.
- SUPPLIED WITH SILVER PLATED HEX NUT AND LOCK WASHER.

| MIN. CAP. (pF) | WORKING VOLTAGE (VDC) |       | CURRENT (Idc) | I.R. MIN. @ 100 (VDC.) | DWV (VDC) | MINIMUM NO LOAD INSERTION LOSS (dB) AT 25°C PER MIL-STD -220 |         |       |        |
|----------------|-----------------------|-------|---------------|------------------------|-----------|--|---------|-------|--------|
|                | 85°C                  | 125°C |               |                        |           | 10 MHz   | 100 MHz | 1 GHz | 10 GHz |
| 5000           | 200                   | 100   | 10 A          | 10 G Ω                 | 400       | 20   | 65      | 70    | 70     |
|                |                       |       |               |                        |           |  |         |       |        |

|  |                                   |  |  |                      |
|--|-----------------------------------|--|--|----------------------|
| X-2015 Rev-0<br><b>REVISION RECORD</b><br>Original Release<br>C.O. <b>20050309-2-01</b><br>ADDED NOTES 1-3.<br>S.M. 02-20-06<br><b>20060109-2-11</b> | <b>0</b>                          | <b>--TOLERANCES--</b><br>Unless Otherwise Specified<br><br>DECIMAL ± .031 [0.79]<br><br>ANGLES ± | Title<br><b>BUSHING STYLE EMI FILTER</b> |                      |
|  | <b>1</b>                          |  | Drawn S.M. 03-09-05                      | Scale <sub>3 X</sub> |
|  | Approved T.C. 03-09-05            |  |  |                      |
|  | <b>TUSONIX</b><br>TUCSON, ARIZONA |  | <b>A</b>                                 | <b>4204-051</b>      |