

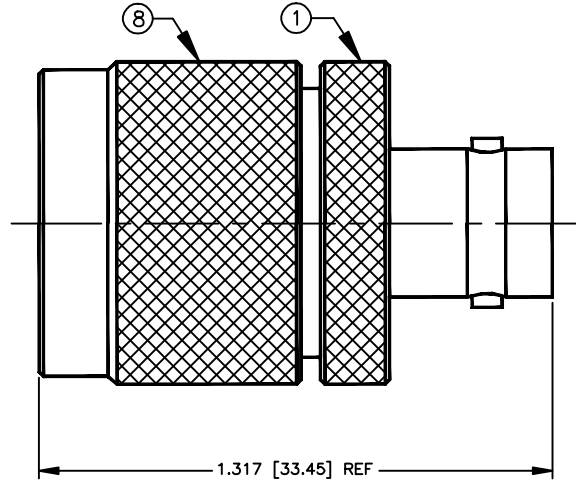
SPECIFICATION CONTROL DRAWING

THIS DRAWING CONTAINS INFORMATION PROPRIETARY TO RF INDUSTRIES, LTD. ANY UNAUTHORIZED USE OF THIS DRAWING IS EXPRESSLY PROHIBITED. ANY VIOLATION IS PUNISHABLE UNDER U.S. COPYRIGHT LAWS.

REV	DESCRIPTION	DWN	DATE	APPROVED
C	INTERFACE UPDATE	KMM	11/12/93	J. BENZ
D	ADD DIMS ITEM #1 / SEPARATE SHELL VIEW ITEM #8	CZS	2/10/98	R. RICE
E	STANDARDIZE SHELL & BODY	CZS	8/17/99	R. RICE
F	CHANGE DIELECTRIC CONFIGURATION	CZS	8/17/00	J. D. McR.

ALL DIMENSIONS ARE REFERENCE ONLY

000000



SPECIFICATIONS:

IMPEDANCE: 50 OHMS
 WORKING VOLTAGE: 500 VRMS @ SEA LEVEL
 FREQUENCY RANGE: 0-4 GHz

DIMENSIONS ARE IN INCHES AND [MILLIMETERS]

UNLESS OTHERWISE NOTED TOLERANCES ARE:

DECIMALS DIAMETER

RFconnectors
 DIVISION OF RF INDUSTRIES, LTD.

7610 MIRAMAR RD
 SAN DIEGO, CA 92126
 (858) 549-6340
 (858) 549-6345 FAX

RFN-1037-1\UG201A/U

N MALE TO BNC FEMALE ADAPTER

ITEM	DESCRIPTION	QTY	MATERIAL	FINISH
8	SHELL	1	BRASS	SILVER
7	GASKET	1	S.I. RUBBER	RED
6	RETAINING RING	1	SK-5	NONE
5	GROUND RING	1	BRASS	SILVER
4	DIELECTRIC	1	PTFE	NONE
3	DIELECTRIC	1	PTFE	NONE
2	PIN	1	BRASS	GOLD
1	BODY	1	BRASS	SILVER

DRAWN C. ZUNIGA	8/17/00
CHECKED	
ORJ DRAWN C. JONES	2/6/92
APPROVALS	DATE

SIZE A	CABLE GROUP N/A	DWG NO. 7875	REV F
SCALE: 2:1		CAD FILE 13ARC B	SHEET 1 OF 1