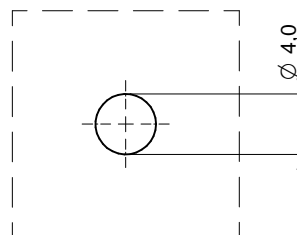
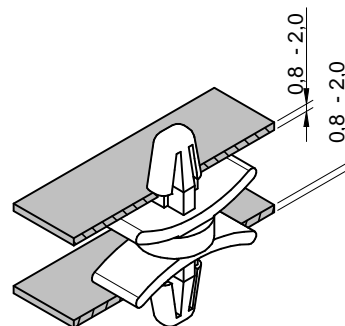


### Hole Pattern



### Panel Thickness



Order Code	L (mm)
709 610 200	4.74 ± 0.2
709 610 400	6.35 ± 0.2
709 610 500	7.9 ± 0.2
709 610 600	9.52 ± 0.2
709 610 800	12.7 ± 0.3
709 611 000	15.87 ± 0.3
709 611 200	19.05 ± 0.3
709 611 400	22.22 ± 0.3

Operating Temperature: -30°C up to +85°C  
 Flammability according to: UL94 V-2

				Würth Elektronik eiSos GmbH & Co. KG EMC & Inductive Solutions	CREATED DaF	CHECKED SKI	GENERAL TOLERANCE DIN ISO 2768-1m	PROJECTION METHOD 	SIZE A4	
				Max-Eyth-Str. 1 74638 Waldenburg Germany com. +49 79 42 945 - 0	DESCRIPTION <b>AsSNSN</b> <b>Snap-on stop spacer,</b> <b>arresting on both sides</b>			TECHNICAL REFERENCE _____	MATERIAL Nylon 66, natural	
				www.we-online.de eiSos@we-online.de	SIZE xxx xxx xxx	WEIGHT	STATUS Released	DATE 2017-03-21	BUSINESS UNIT eiCan	PAGE 1 / 1
REV.	FILE	DATE	BY		ORDER CODE 709 610 xxx / 709 611 xxx					

