

# 74VCXH16244

## Low-Voltage 1.8/2.5/3.3V 16-Bit Buffer

### With 3.6 V-Tolerant Inputs and Outputs (3-State, Non-Inverting)

The 74VCXH16244 is an advanced performance, non-inverting 16-bit buffer. It is designed for very high-speed, very low-power operation in 1.8 V, 2.5 V or 3.3 V systems.

When operating at 2.5 V (or 1.8 V) the part is designed to tolerate voltages it may encounter on either inputs or outputs when interfacing to 3.3 V busses. It is guaranteed to be overvoltage tolerant to 3.6 V.

The 74VCXH16244 is nibble controlled with each nibble functioning identically, but independently. The control pins may be tied together to obtain full 16-bit operation. The 3-state outputs are controlled by an Output Enable ( $\overline{OEn}$ ) input for each nibble. When  $\overline{OEn}$  is LOW, the outputs are on. When  $\overline{OEn}$  is HIGH, the outputs are in the high impedance state. The data inputs include active bushold circuitry, eliminating the need for external pullup resistors to hold unused or floating inputs at a valid logic state.

#### Features

- Designed for Low Voltage Operation:  $V_{CC} = 1.65\text{ V} - 3.6\text{ V}$
- 3.6 V Tolerant Inputs and Outputs
- High Speed Operation: 2.5 ns max for 3.0 V to 3.6 V  
3.0 ns max for 2.3 V to 2.7 V  
6.0 ns max for 1.65 V to 1.95 V
- Static Drive:  $\pm 24\text{ mA}$  Drive at 3.0 V  
 $\pm 18\text{ mA}$  Drive at 2.3 V  
 $\pm 6\text{ mA}$  Drive at 1.65 V
- Supports Live Insertion and Withdrawal
- Includes Active Bushold to Hold Unused or Floating Inputs at a Valid Logic State
- $I_{OFF}$  Specification Guarantees High Impedance When  $V_{CC} = 0\text{ V}$ \*
- Near Zero Static Supply Current in All Three Logic States (20  $\mu\text{A}$ )  
Substantially Reduces System Power Requirements
- Latchup Performance Exceeds  $\pm 250\text{ mA}$  @ 125°C
- ESD Performance: Human Body Model >2000 V  
Machine Model >200 V
- All Devices in Package TSSOP are Inherently Pb-Free\*\*

\*To ensure the outputs activate in the 3-state condition, the output enable pins should be connected to  $V_{CC}$  through a pullup resistor. The value of the resistor is determined by the current sinking capability of the output connected to the  $\overline{OE}$  pin.

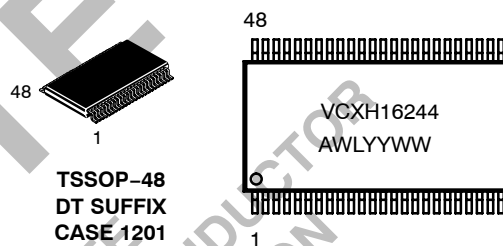
\*\*For additional information on our Pb-Free strategy and soldering details, please download the ON Semiconductor Soldering and Mounting Techniques Reference Manual, SOLDERRM/D.



ON Semiconductor®

<http://onsemi.com>

#### MARKING DIAGRAM



TSSOP-48  
DT SUFFIX  
CASE 1201

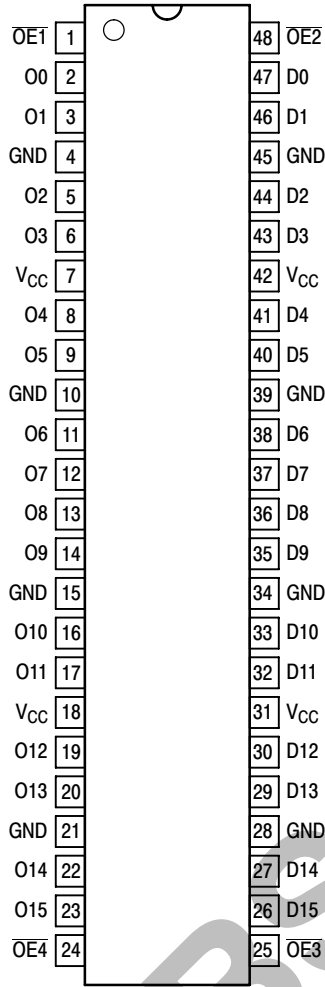
A = Assembly Location  
WL = Wafer Lot  
YY = Year  
WW = Work Week

#### ORDERING INFORMATION

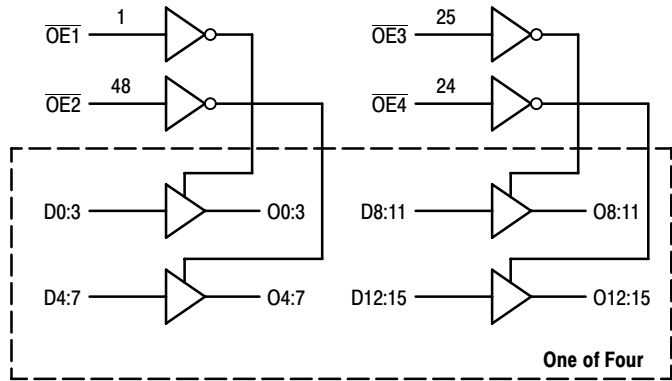
Device	Package	Shipping†
74VCXH16244DT	TSSOP (Pb-Free)	39 / Rail
74VCXH16244DTR	TSSOP (Pb-Free)	2500 / Reel

†For information on tape and reel specifications, including part orientation and tape sizes, please refer to our Tape and Reel Packaging Specification Brochure, BRD8011/D.

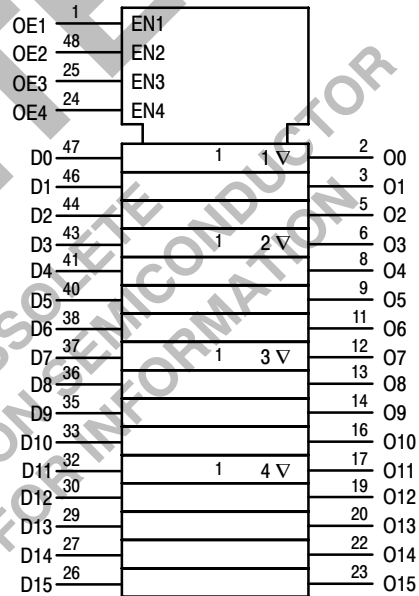
# 74VCXH16244



**Figure 1. 48-Lead Pinout (Top View)**



**Figure 2. Logic Diagram**



**Figure 3. IEC Logic Diagram**

**Table 1. PIN NAMES**

Pins	Function
OE <sub>n</sub>	Output Enable Inputs
D0–D15	Inputs
O0–O15	Outputs

## TRUTH TABLE

OE1	D0:3	O0:3	OE2	D4:7	O4:7	OE3	D8:11	O8:11	OE4	D12:15	O12:15
L	L	L	L	L	L	L	L	L	L	L	L
L	H	H	L	H	H	L	H	H	L	H	H
H	X	Z	H	X	Z	H	X	Z	H	X	Z

H = High Voltage Level

L = Low Voltage Level

Z = High Impedance State

X = High or Low Voltage Level and Transitions Are Acceptable, for I<sub>CC</sub> reasons, DO NOT FLOAT Inputs

# 74VCXH16244

## ABSOLUTE MAXIMUM RATINGS

Symbol	Parameter	Value	Condition	Unit
V <sub>CC</sub>	DC Supply Voltage	-0.5 to +4.6		V
V <sub>I</sub>	DC Input Voltage	-0.5 ≤ V <sub>I</sub> ≤ +4.6		V
V <sub>O</sub>	DC Output Voltage	-0.5 ≤ V <sub>O</sub> ≤ +4.6	Output in 3-State	V
		-0.5 ≤ V <sub>O</sub> ≤ V <sub>CC</sub> + 0.5	Note 1; Outputs Active	V
I <sub>IK</sub>	DC Input Diode Current	-50	V <sub>I</sub> < GND	mA
I <sub>OK</sub>	DC Output Diode Current	-50	V <sub>O</sub> < GND	mA
		+50	V <sub>O</sub> > V <sub>CC</sub>	mA
I <sub>O</sub>	DC Output Source/Sink Current	±50		mA
I <sub>CC</sub>	DC Supply Current Per Supply Pin	±100		mA
I <sub>GND</sub>	DC Ground Current Per Ground Pin	±100		mA
T <sub>STG</sub>	Storage Temperature Range	-65 to +150		°C

Stresses exceeding Maximum Ratings may damage the device. Maximum Ratings are stress ratings only. Functional operation above the Recommended Operating Conditions is not implied. Extended exposure to stresses above the Recommended Operating Conditions may affect device reliability.

1. I<sub>O</sub> absolute maximum rating must be observed.

## RECOMMENDED OPERATING CONDITIONS

Symbol	Parameter	Min	Typ	Max	Unit	
V <sub>CC</sub>	Supply Voltage	Operating	1.65	3.3	3.6	V
		Data Retention Only	1.2	3.3	3.6	
V <sub>I</sub>	Input Voltage	-0.3		3.6	V	
V <sub>O</sub>	Output Voltage	(Active State)	0		V <sub>CC</sub>	V
		(3-State)	0		3.6	
I <sub>OH</sub>	HIGH Level Output Current, V <sub>CC</sub> = 3.0 V – 3.6 V			-24	mA	
I <sub>OL</sub>	LOW Level Output Current, V <sub>CC</sub> = 3.0 V – 3.6 V			24	mA	
I <sub>OH</sub>	HIGH Level Output Current, V <sub>CC</sub> = 2.3 V – 2.7 V			-18	mA	
I <sub>OL</sub>	LOW Level Output Current, V <sub>CC</sub> = 2.3 V – 2.7 V			18	mA	
I <sub>OH</sub>	HIGH Level Output Current, V <sub>CC</sub> = 1.65 V – 1.95 V			-6	mA	
I <sub>OL</sub>	LOW Level Output Current, V <sub>CC</sub> = 1.65 V – 1.95 V			6	mA	
T <sub>A</sub>	Operating Free-Air Temperature	-40		+85	°C	
Δt/ΔV	Input Transition Rise or Fall Rate, V <sub>IN</sub> from 0.8 V to 2.0 V, V <sub>CC</sub> = 3.0 V	0		10	ns/V	

# 74VCXH16244

## DC ELECTRICAL CHARACTERISTICS

Symbol	Characteristic	Condition	T <sub>A</sub> = -40°C to +85°C		Unit
			Min	Max	
V <sub>IH</sub>	HIGH Level Input Voltage (Note 2)	1.65 V ≤ V <sub>CC</sub> < 2.3 V	0.65 x V <sub>CC</sub>		V
		2.3 V ≤ V <sub>CC</sub> ≤ 2.7 V	1.6		
		2.7 V < V <sub>CC</sub> ≤ 3.6 V	2.0		
V <sub>IL</sub>	LOW Level Input Voltage (Note 2)	1.65 V ≤ V <sub>CC</sub> < 2.3 V		0.35 x V <sub>CC</sub>	V
		2.3 V ≤ V <sub>CC</sub> ≤ 2.7 V		0.7	
		2.7 V < V <sub>CC</sub> ≤ 3.6 V		0.8	
V <sub>OH</sub>	HIGH Level Output Voltage	1.65 V ≤ V <sub>CC</sub> ≤ 3.6 V; I <sub>OH</sub> = -100 μA	V <sub>CC</sub> - 0.2		V
		V <sub>CC</sub> = 1.65 V; I <sub>OH</sub> = -6 mA	1.25		
		V <sub>CC</sub> = 2.3 V; I <sub>OH</sub> = -6 mA	2.0		
		V <sub>CC</sub> = 2.3 V; I <sub>OH</sub> = -12 mA	1.8		
		V <sub>CC</sub> = 2.3 V; I <sub>OH</sub> = -18 mA	1.7		
		V <sub>CC</sub> = 2.7 V; I <sub>OH</sub> = -12 mA	2.2		
		V <sub>CC</sub> = 3.0 V; I <sub>OH</sub> = -18 mA	2.4		
		V <sub>CC</sub> = 3.0 V; I <sub>OH</sub> = -24 mA	2.2		
V <sub>OL</sub>	LOW Level Output Voltage	1.65 V ≤ V <sub>CC</sub> ≤ 3.6 V; I <sub>OL</sub> = 100 μA		0.2	V
		V <sub>CC</sub> = 1.65 V; I <sub>OL</sub> = 6 mA		0.3	
		V <sub>CC</sub> = 2.3 V; I <sub>OL</sub> = 12 mA		0.4	
		V <sub>CC</sub> = 2.3 V; I <sub>OL</sub> = 18 mA		0.6	
		V <sub>CC</sub> = 2.7 V; I <sub>OL</sub> = 12 mA		0.4	
		V <sub>CC</sub> = 3.0 V; I <sub>OL</sub> = 18 mA		0.4	
		V <sub>CC</sub> = 3.0 V; I <sub>OL</sub> = 24 mA		0.55	
		I <sub>I</sub>	Input Leakage Current	1.65 V ≤ V <sub>CC</sub> ≤ 3.6 V; 0 V ≤ V <sub>I</sub> ≤ 3.6 V	
I <sub>I(HOLD)</sub>	Minimum Bushold Input Current	V <sub>CC</sub> = 3.0 V, V <sub>IN</sub> = 0.8 V	75		μA
		V <sub>CC</sub> = 3.0 V, V <sub>IN</sub> = 2.0 V	-75		
		V <sub>CC</sub> = 2.3 V, V <sub>IN</sub> = 0.7 V	45		
		V <sub>CC</sub> = 2.3 V, V <sub>IN</sub> = 1.6 V	-45		
		V <sub>CC</sub> = 1.65 V, V <sub>IN</sub> = 0.57 V	25		
		V <sub>CC</sub> = 1.65 V, V <sub>IN</sub> = 1.07 V	-25		
I <sub>I(OD)</sub>	Minimum Bushold Over-Drive Current Needed to Change State	V <sub>CC</sub> = 3.6 V, (Note 3)	450		μA
		V <sub>CC</sub> = 3.6 V, (Note 4)	-450		
		V <sub>CC</sub> = 2.7 V, (Note 3)	300		
		V <sub>CC</sub> = 2.7 V, (Note 4)	-300		
		V <sub>CC</sub> = 1.95 V, (Note 3)	200		
		V <sub>CC</sub> = 1.95 V, (Note 4)	-200		
I <sub>OZ</sub>	3-State Output Current	1.65 V ≤ V <sub>CC</sub> ≤ 3.6 V; 0 V ≤ V <sub>O</sub> ≤ 3.6 V; V <sub>I</sub> = V <sub>IH</sub> or V <sub>IL</sub>		±10	μA
I <sub>OFF</sub>	Power-Off Leakage Current	V <sub>CC</sub> = 0 V; V <sub>I</sub> or V <sub>O</sub> = 3.6 V		10	μA
I <sub>CC</sub>	Quiescent Supply Current (Note 5)	1.65 V ≤ V <sub>CC</sub> ≤ 3.6 V; V <sub>I</sub> = GND or V <sub>CC</sub>		20	μA
		1.65 V ≤ V <sub>CC</sub> ≤ 3.6 V; 3.6 V ≤ V <sub>I</sub> , V <sub>O</sub> ≤ 3.6 V		±20	
ΔI <sub>CC</sub>	Increase in I <sub>CC</sub> per Input	2.7 V < V <sub>CC</sub> ≤ 3.6 V; V <sub>IH</sub> = V <sub>CC</sub> - 0.6 V		750	μA

2. These values of V<sub>I</sub> are used to test DC electrical characteristics only.

3. An external driver must source at least the specified current to switch from LOW-to-HIGH.

4. An external driver must source at least the specified current to switch from HIGH-to-LOW.

5. Outputs disabled or 3-state only.

# 74VCXH16244

## AC CHARACTERISTICS (Note 6; $t_R = t_F = 2.0$ ns; $C_L = 30$ pF; $R_L = 500$ $\Omega$ )

Symbol	Parameter	Waveform	$T_A = -40^\circ\text{C to } +85^\circ\text{C}$						Unit
			$V_{CC} = 3.0$ V to 3.6 V		$V_{CC} = 2.3$ V to 2.7 V		$V_{CC} = 1.65$ V - 1.95 V		
			Min	Max	Min	Max	Min	Max	
$t_{PLH}$ $t_{PHL}$	Propagation Delay Input-to-Output	1	0.8 0.8	2.5 2.5	1.0 1.0	3.0 3.0	1.5 1.5	6.0 6.0	ns
$t_{PZH}$ $t_{PZL}$	Output Enable Time to High and Low Level	2	0.8 0.8	3.5 3.5	1.0 1.0	4.1 4.1	1.5 1.5	8.2 8.2	ns
$t_{PHZ}$ $t_{PLZ}$	Output Disable Time From High and Low Level	2	0.8 0.8	3.5 3.5	1.0 1.0	3.8 3.8	1.5 1.5	6.8 6.8	ns
$t_{OSHL}$ $t_{OSLH}$	Output-to-Output Skew (Note 7)			0.5 0.5		0.5 0.5		0.75 0.75	ns

6. For  $C_L = 50$  pF, add approximately 300 ps to the AC maximum specification.

7. Skew is defined as the absolute value of the difference between the actual propagation delay for any two separate outputs of the same device. The specification applies to any outputs switching in the same direction, either HIGH-to-LOW ( $t_{OSHL}$ ) or LOW-to-HIGH ( $t_{OSLH}$ ); parameter guaranteed by design.

## AC CHARACTERISTICS ( $t_R = t_F = 2.0$ ns; $C_L = 50$ pF; $R_L = 500$ $\Omega$ )

Symbol	Parameter	Waveform	$T_A = -40^\circ\text{C to } +85^\circ\text{C}$				Unit
			$V_{CC} = 3.0$ V to 3.6 V		$V_{CC} = 2.7$ V		
			Min	Max	Min	Max	
$t_{PLH}$ $t_{PHL}$	Propagation Delay Input-to-Output	3	1.0 1.0	3.0 3.0		3.6 3.6	ns
$t_{PZH}$ $t_{PZL}$	Output Enable Time to High and Low Level	4	1.0 1.0	4.4 4.4		5.4 5.4	ns
$t_{PHZ}$ $t_{PLZ}$	Output Disable Time From High and Low Level	4	1.0 1.0	4.1 4.1		4.6 4.6	ns
$t_{OSHL}$ $t_{OSLH}$	Output-to-Output Skew (Note 8)			0.5 0.5		0.5 0.5	ns

8. Skew is defined as the absolute value of the difference between the actual propagation delay for any two separate outputs of the same device. The specification applies to any outputs switching in the same direction, either HIGH-to-LOW ( $t_{OSHL}$ ) or LOW-to-HIGH ( $t_{OSLH}$ ); parameter guaranteed by design.

# 74VCXH16244

## DYNAMIC SWITCHING CHARACTERISTICS

Symbol	Characteristic	Condition	T <sub>A</sub> = +25°C	
			Typ	Unit
V <sub>OLP</sub>	Dynamic LOW Peak Voltage (Note 9)	V <sub>CC</sub> = 1.8 V, C <sub>L</sub> = 30 pF, V <sub>IH</sub> = V <sub>CC</sub> , V <sub>IL</sub> = 0 V	0.25	V
		V <sub>CC</sub> = 2.5 V, C <sub>L</sub> = 30 pF, V <sub>IH</sub> = V <sub>CC</sub> , V <sub>IL</sub> = 0 V	0.6	
		V <sub>CC</sub> = 3.3 V, C <sub>L</sub> = 30 pF, V <sub>IH</sub> = V <sub>CC</sub> , V <sub>IL</sub> = 0 V	0.8	
V <sub>OLV</sub>	Dynamic LOW Valley Voltage (Note 9)	V <sub>CC</sub> = 1.8 V, C <sub>L</sub> = 30 pF, V <sub>IH</sub> = V <sub>CC</sub> , V <sub>IL</sub> = 0 V	-0.25	V
		V <sub>CC</sub> = 2.5 V, C <sub>L</sub> = 30 pF, V <sub>IH</sub> = V <sub>CC</sub> , V <sub>IL</sub> = 0 V	-0.6	
		V <sub>CC</sub> = 3.3 V, C <sub>L</sub> = 30 pF, V <sub>IH</sub> = V <sub>CC</sub> , V <sub>IL</sub> = 0 V	-0.8	
V <sub>OHV</sub>	Dynamic HIGH Valley Voltage (Note 10)	V <sub>CC</sub> = 1.8 V, C <sub>L</sub> = 30 pF, V <sub>IH</sub> = V <sub>CC</sub> , V <sub>IL</sub> = 0 V	1.5	V
		V <sub>CC</sub> = 2.5 V, C <sub>L</sub> = 30 pF, V <sub>IH</sub> = V <sub>CC</sub> , V <sub>IL</sub> = 0 V	1.9	
		V <sub>CC</sub> = 3.3 V, C <sub>L</sub> = 30 pF, V <sub>IH</sub> = V <sub>CC</sub> , V <sub>IL</sub> = 0 V	2.2	

9. Number of outputs defined as "n". Measured with "n-1" outputs switching from HIGH-to-LOW or LOW-to-HIGH. The remaining output is measured in the LOW state.

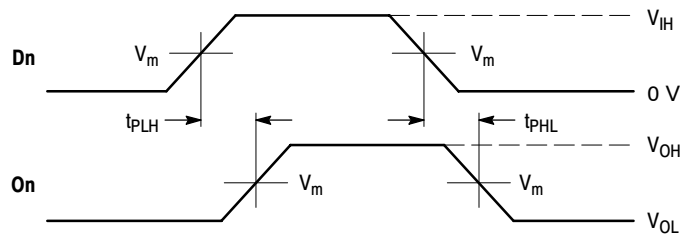
10. Number of outputs defined as "n". Measured with "n-1" outputs switching from HIGH-to-LOW or LOW-to-HIGH. The remaining output is measured in the HIGH state.

## CAPACITIVE CHARACTERISTICS

Symbol	Parameter	Condition	Typical	Unit
C <sub>IN</sub>	Input Capacitance	Note 11	6	pF
C <sub>OUT</sub>	Output Capacitance	Note 11	7	pF
C <sub>PD</sub>	Power Dissipation Capacitance	Note 11, 10 MHz	20	pF

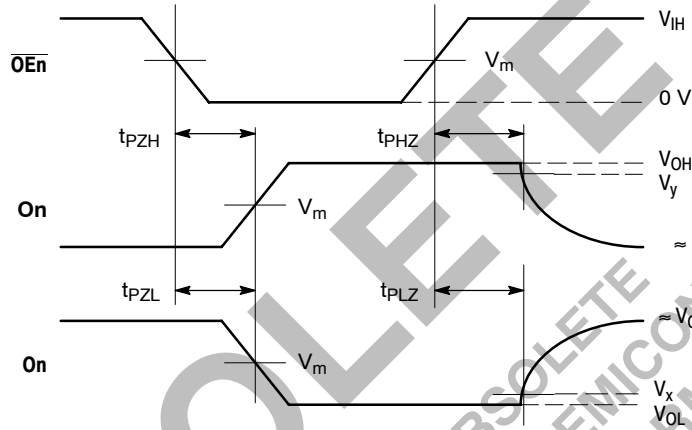
11. V<sub>CC</sub> = 1.8 V, 2.5 V or 3.3 V; V<sub>I</sub> = 0 V or V<sub>CC</sub>.

# 74VCXH16244



**WAVEFORM 1 - PROPAGATION DELAYS**

$t_R = t_F = 2.0 \text{ ns}$ , 10% to 90%;  $f = 1 \text{ MHz}$ ;  $t_W = 500 \text{ ns}$



**WAVEFORM 2 - OUTPUT ENABLE AND DISABLE TIMES**

$t_R = t_F = 2.0 \text{ ns}$ , 10% to 90%;  $f = 1 \text{ MHz}$ ;  $t_W = 500 \text{ ns}$

**Figure 4. AC Waveforms**

**Table 2. AC WAVEFORMS**

Symbol	V <sub>CC</sub>		
	3.3 V ± 0.3 V	2.5 V ± 0.2 V	1.8 V ± 0.15 V
V <sub>IH</sub>	2.7 V	V <sub>CC</sub>	V <sub>CC</sub>
V <sub>m</sub>	1.5 V	V <sub>CC</sub> /2	V <sub>CC</sub> /2
V <sub>x</sub>	V <sub>OL</sub> + 0.3 V	V <sub>OL</sub> + 0.15 V	V <sub>OL</sub> + 0.15 V
V <sub>y</sub>	V <sub>OH</sub> - 0.3 V	V <sub>OH</sub> - 0.15 V	V <sub>OH</sub> - 0.15 V

# 74VCXH16244

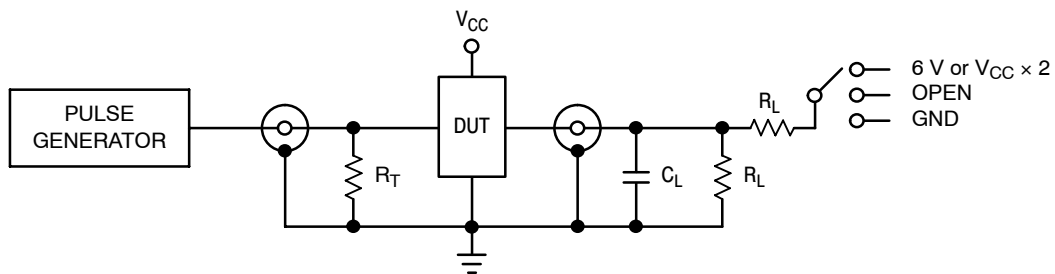


Figure 5. Test Circuit

Table 3. TEST CIRCUIT

TEST	SWITCH
$t_{PLH}$ , $t_{PHL}$	Open
$t_{PZL}$ , $t_{PLZ}$	6 V at $V_{CC} = 3.3 \pm 0.3$ V; $V_{CC} \times 2$ at $V_{CC} = 2.5 \pm 0.2$ V; $1.8 \pm 0.15$ V
$t_{PZH}$ , $t_{PHZ}$	GND

$C_L = 30$  pF or equivalent (Includes jig and probe capacitance)

$R_L = 500 \Omega$  or equivalent

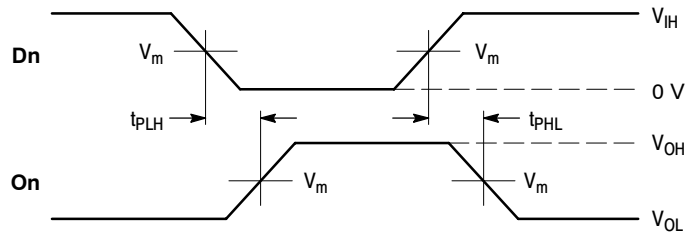
$R_T = Z_{OUT}$  of pulse generator (typically  $50 \Omega$ )

OBSOLETE

THIS DEVICE IS OBSOLETE  
PLEASE CONTACT YOUR ON SEMICONDUCTOR  
REPRESENTATIVE FOR INFORMATION

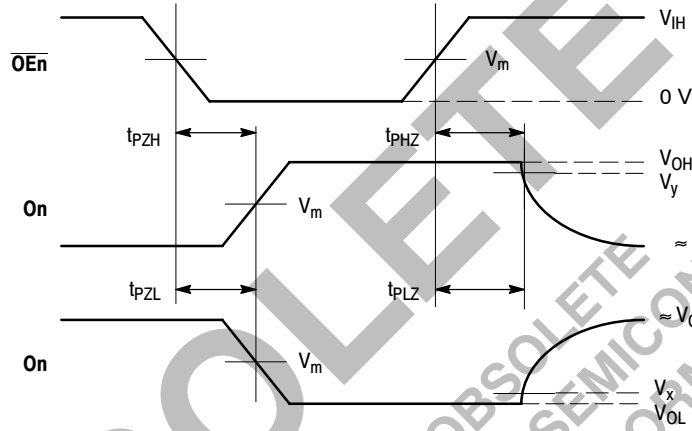


# 74VCXH16244



**WAVEFORM 3 - PROPAGATION DELAYS**

$t_R = t_F = 2.0 \text{ ns}$ , 10% to 90%;  $f = 1 \text{ MHz}$ ;  $t_W = 500 \text{ ns}$



**WAVEFORM 4 - OUTPUT ENABLE AND DISABLE TIMES**

$t_R = t_F = 2.0 \text{ ns}$ , 10% to 90%;  $f = 1 \text{ MHz}$ ;  $t_W = 500 \text{ ns}$

**Figure 6. AC Waveforms**

**Table 4. AC WAVEFORMS**

Symbol	V <sub>CC</sub>	
	3.3 V ± 0.3 V	2.7 V
V <sub>IH</sub>	2.7 V	2.7 V
V <sub>m</sub>	1.5 V	1.5 V
V <sub>x</sub>	V <sub>OL</sub> + 0.3 V	V <sub>OL</sub> + 0.3 V
V <sub>y</sub>	V <sub>OH</sub> - 0.3 V	V <sub>OH</sub> - 0.3 V

# 74VCXH16244

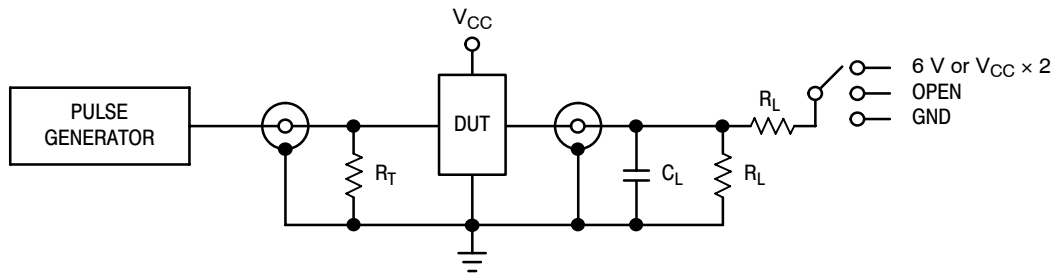


Figure 7. Test Circuit

Table 5. TEST CIRCUIT

TEST	SWITCH
$t_{PLH}$ , $t_{PHL}$	Open
$t_{PZL}$ , $t_{PLZ}$	6 V at $V_{CC} = 3.3 \pm 0.3$ V; $V_{CC} \times 2$ at $V_{CC} = 2.5 \pm 0.2$ V; $1.8 \pm 0.15$ V
$t_{PZH}$ , $t_{PHZ}$	GND

$C_L = 50$  pF or equivalent (Includes jig and probe capacitance)

$R_L = 500 \Omega$  or equivalent

$R_T = Z_{OUT}$  of pulse generator (typically  $50 \Omega$ )

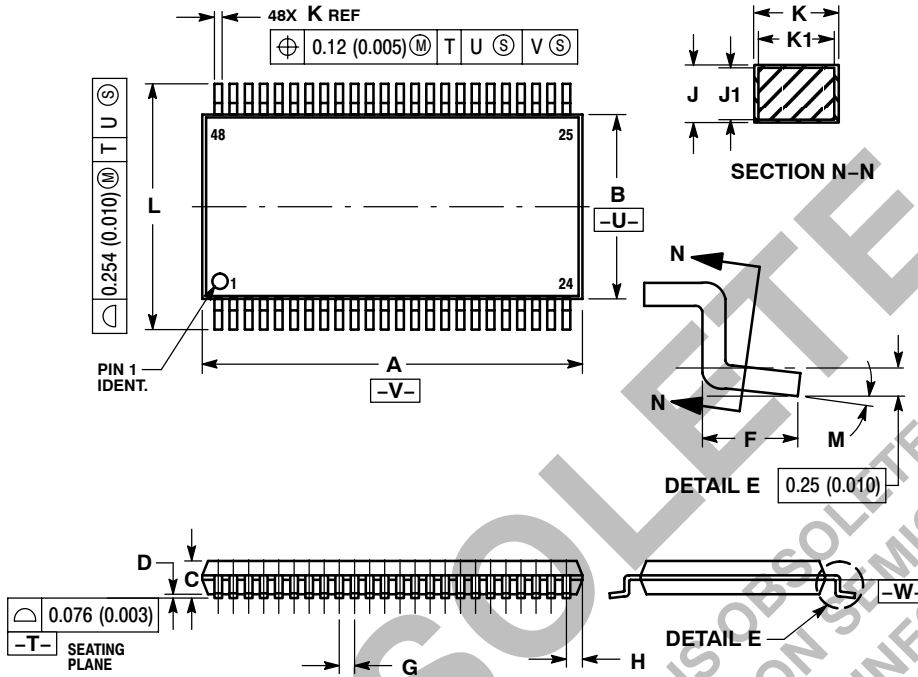
OBSOLETE

THIS DEVICE IS OBSOLETE  
PLEASE CONTACT YOUR ON SEMICONDUCTOR  
REPRESENTATIVE FOR INFORMATION

# 74VCXH16244

## PACKAGE DIMENSIONS

TSSOP  
DT SUFFIX  
CASE 1201-01  
ISSUE A



### NOTES:

1. DIMENSIONING AND TOLERANCING PER ANSI Y14.5M, 1982.
2. CONTROLLING DIMENSION: MILLIMETER.
3. DIMENSIONS A AND B DO NOT INCLUDE MOLD FLASH, PROTRUSIONS OR GATE BURRS. MOLD FLASH OR GATE BURRS SHALL NOT EXCEED 0.15 (0.006) PER SIDE.
4. DIMENSION K DOES NOT INCLUDE DAMBAR PROTRUSION. ALLOWABLE DAMBAR PROTRUSION SHALL BE 0.08 (0.003) TOTAL IN EXCESS OF THE K DIMENSION AT MAXIMUM MATERIAL CONDITION.
5. TERMINAL NUMBERS ARE SHOWN FOR REFERENCE ONLY.
6. DIMENSIONS A AND B ARE TO BE DETERMINED AT DATUM PLANE -W-.

DIM	MILLIMETERS		INCHES	
	MIN	MAX	MIN	MAX
A	12.40	12.60	0.488	0.496
B	6.00	6.20	0.236	0.244
C	---	1.10	---	0.043
D	0.05	0.15	0.002	0.006
F	0.50	0.75	0.020	0.030
G	0.50 BSC		0.0197 BSC	
H	0.37	---	0.015	---
J	0.09	0.20	0.004	0.008
J1	0.09	0.16	0.004	0.006
K	0.17	0.27	0.007	0.011
K1	0.17	0.23	0.007	0.009
L	7.95	8.25	0.313	0.325
M	0°	8°	0°	8°

ON Semiconductor and are registered trademarks of Semiconductor Components Industries, LLC (SCILLC). SCILLC reserves the right to make changes without further notice to any products herein. SCILLC makes no warranty, representation or guarantee regarding the suitability of its products for any particular purpose, nor does SCILLC assume any liability arising out of the application or use of any product or circuit, and specifically disclaims any and all liability, including without limitation special, consequential or incidental damages. "Typical" parameters which may be provided in SCILLC data sheets and/or specifications can and do vary in different applications and actual performance may vary over time. All operating parameters, including "Typicals" must be validated for each customer application by customer's technical experts. SCILLC does not convey any license under its patent rights nor the rights of others. SCILLC products are not designed, intended, or authorized for use as components in systems intended for surgical implant into the body, or other applications intended to support or sustain life, or for any other application in which the failure of the SCILLC product could create a situation where personal injury or death may occur. Should Buyer purchase or use SCILLC products for any such unintended or unauthorized application, Buyer shall indemnify and hold SCILLC and its officers, employees, subsidiaries, affiliates, and distributors harmless against all claims, costs, damages, and expenses, and reasonable attorney fees arising out of, directly or indirectly, any claim of personal injury or death associated with such unintended or unauthorized use, even if such claim alleges that SCILLC was negligent regarding the design or manufacture of the part. SCILLC is an Equal Opportunity/Affirmative Action Employer. This literature is subject to all applicable copyright laws and is not for resale in any manner.

### PUBLICATION ORDERING INFORMATION

**LITERATURE FULFILLMENT:**  
Literature Distribution Center for ON Semiconductor  
P.O. Box 5163, Denver, Colorado 80217 USA  
Phone: 303-675-2175 or 800-344-3860 Toll Free USA/Canada  
Fax: 303-675-2176 or 800-344-3867 Toll Free USA/Canada  
Email: orderlit@onsemi.com

**N. American Technical Support:** 800-282-9855 Toll Free  
USA/Canada  
**Europe, Middle East and Africa Technical Support:**  
Phone: 421 33 790 2910  
**Japan Customer Focus Center**  
Phone: 81-3-5773-3850

**ON Semiconductor Website:** [www.onsemi.com](http://www.onsemi.com)  
**Order Literature:** <http://www.onsemi.com/orderlit>

For additional information, please contact your local Sales Representative