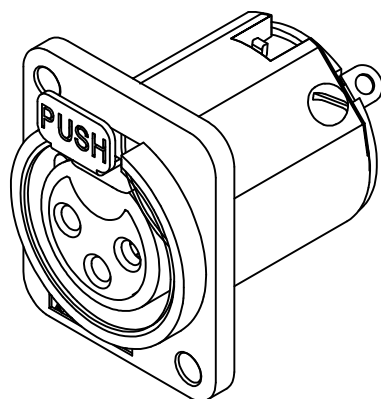


PANEL CUT OUT



ISO VIEW

AC*FDZ	INSERT No.
AC3FDZ	156-4065-*00
AC4FDZ	156-4073-*00
AC5FDZ	156-4074-*00
AC6AFDZ	156-4075-*00
AC7FDZ	156-4076-*00

UNLESS OTHERWISE SPECIFIED TOLERANCE TO BE		THIS DOCUMENT IS THE PROPERTY OF AMPHENOL AUSTRALIA PTY. LTD.. NO PART THEREOF MAY BE REPRODUCED AND USED WITHOUT THE PRIOR WRITTEN CONSENT OF THE OWNER		2	UPDATE TO AMPHENOL LOGO ADD SHEET 2 OF 2 FOR CUSTOMER DRAWING	M.N.H.	27-06-00	7473
LINEAR	ANGULAR	CAD FILE: 00821102		0	FIRST ISSUE	D.v.E.	21-09-1995	----
X ± 0.50	X' ± 1'	DRN:	D.v.E.	REV.	CHANGE DETAILS	BY	DATE	CHG/No
X,X ± 0.10	X,X' ± 30'	DATE:	21-09-95	TITLE:		Amphenol		
X,XX ± 0.05	X,X,X' ± 15'	MATL:	REFER TO COMPONENT	DATE:	28-06-02	Amphenol Australia Pty.Ltd, 2 Fineways Blvd, Keysborough, Vic.3173		
BREAK ALL SHARP EDGES AND REMOVE ALL BURRS		FINISH:	REFER TO COMPONENT	DATE:	28-06-02	DRAWING NO.		SHEET
DO NOT SCALE		APP'D:	P.M	DATE:	28-06-02	128461-0000		2 OF 2
DIMENSIONS IN MILLIMETRES		THIRD ANGLE PROJECTION	SCALE:	2:1 UOS	PART No:	128461-0000	SIZE:	A.3