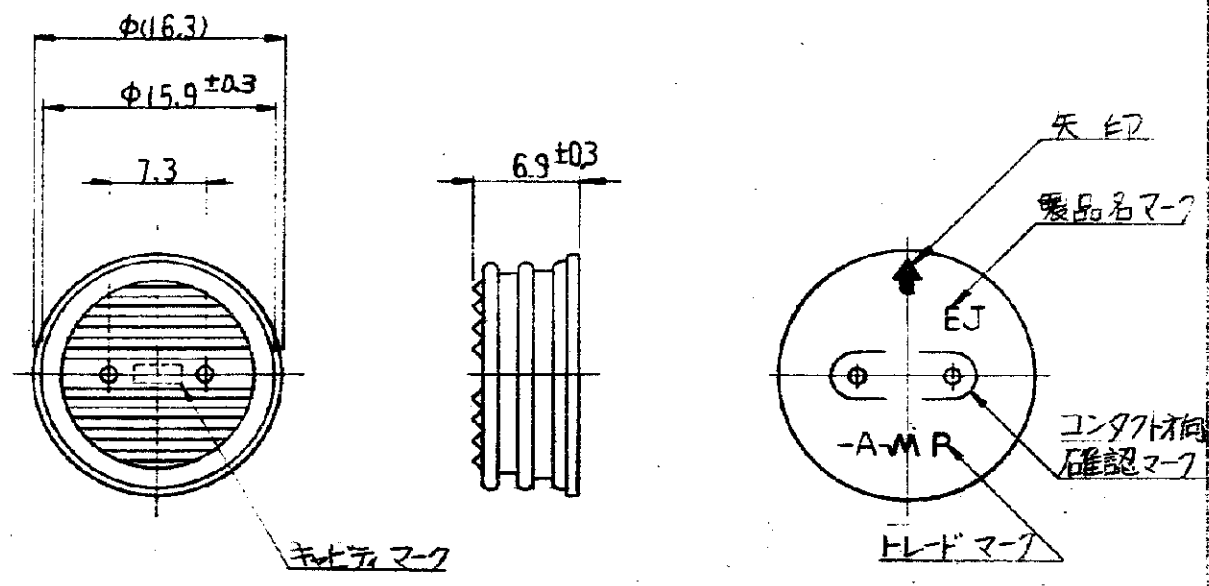


PART NUMBER
C-172200

—1:本 図



注；

- 1. 適用ハウジング型番 172198, 172199.
- 2. 適用端子型番 170279, 170280.
- 3. 適用製品規格 108-5136

DIMENSIONS IN MM DO NOT SCALE PRINT

		<small>NOTED BY AMP JAPAN, LTD. ALL RIGHTS RESERVED AMP PRODUCTS COVERED BY PATENTS AND OR PATENTS PENDING</small>		参考図面 <small>(CUSTOMER COPY) (REFERENCE ONLY)</small>	
MATERIAL クロロレン (CRI)				日本アイ・エム・ピー株式会社 TOKYO, JAPAN	
FINISH 色：黒		TRADE MARK			
WIRE RANGE 0.5 ~ 2.0		WIRE AWG <small>—</small>		WIRE CLASS <small>—</small>	
INSULATION DIA. 2.0 ~ 3.4		INSULATION DIA. <small>—</small>		TYPE <small>—</small>	
RELEASED <small>780-4534</small>		TOLERANCE <small>±0.4</small> <small>EXCEPT AS NOTED</small> <small>±1.0</small>		REF. SCALE 2:1	
LTR. 変更 REVISION RECORD DR. CHK. DATE		LOC. SIZE JA		SY. NO. C-172200	
DR. K. YUASA 12/1 DE. M. Kaseuchi 12/29/79		S.P. NAME 2極 イコシル シリーズ J コネクタ コム栓		REV. 0	
CHK. A. Tomita 12/1 APP. Y. Sato 12/29/79					