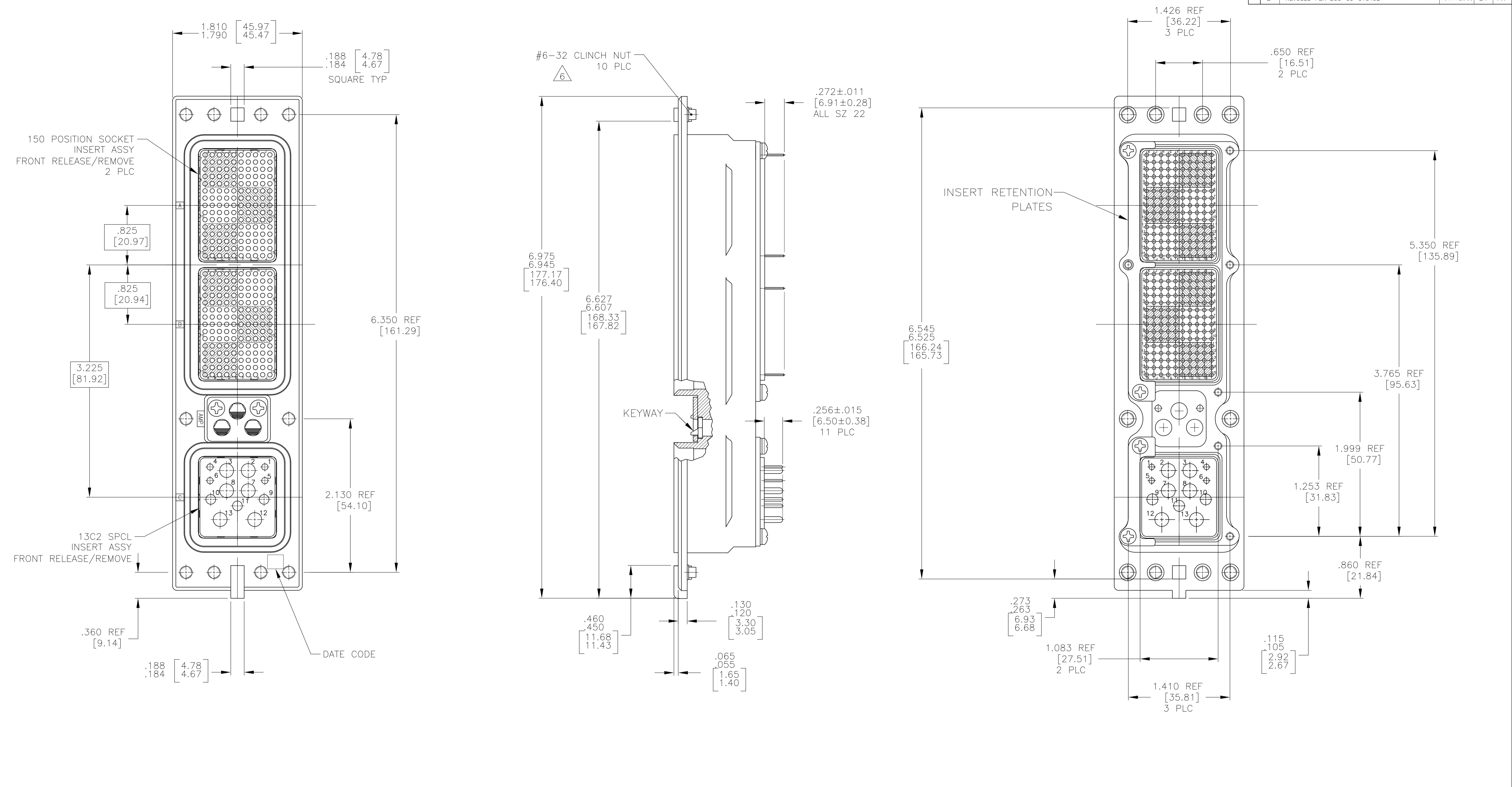


REVISONS		DATE	DWN	APVD
P	LTR	DESCRIPTION		
B		REVISED PER ECO-09-010492	19MAY2009	CT KT



- CONNECTOR DIMENSIONS ARE PER ARINC 600 SPECIFICATION.
- CONNECTOR IS SUPPLIED WITH A DUST COVER INSTALLED; NOT SHOWN.
- KEYING SHOWN IN POSITION "01" FOR ILLUSTRATION ONLY. CONNECTORS SHIPPED WITH KEYING INSTALLED IN POSITION PER TABLE. FOR POSITION "00" KEYING HARDWARE SHIPPED UNASSEMBLED.
- SEE SHEET #2 FOR SELECTIVE CONTACT LOADING DETAIL.
- CONTACTS NOT SHOWN IN FRONT & REAR VIEWS FOR CLARITY.
- STEEL CLINCH NUTS ELLIPTICALLY DEFORMED COATED WITH A DRY MOLY LUBE FILM.

COMPONENT	MATERIAL	FINISH
SHELL	DIE CAST ALUMINUM PER ASTM-B-85	ELECTROLESS NICKEL PER MIL-C-26074
INSERT RETENTION PLATES	ALUMINUM ALLOY PER ASTM-B-209	CHROMATE PER MIL-DTL-5541
SCREWS AND LOCKWASHERS	STEEL OR STAINLESS STEEL	CHROMATE OVER ZINC OR PASSIVATED
POLARIZING KEYS	ZINC ALLOY PER ASTM-B-86	-
POLARIZING KEY RETAINING PLATE	ALUMINUM ALLOY PER ASTM-B-209	BLUE ANODIZED PER MIL-A-8625
INSERTS	THERMOSET OR THERMOPLASTIC PPS PER MIL-M-24519	-

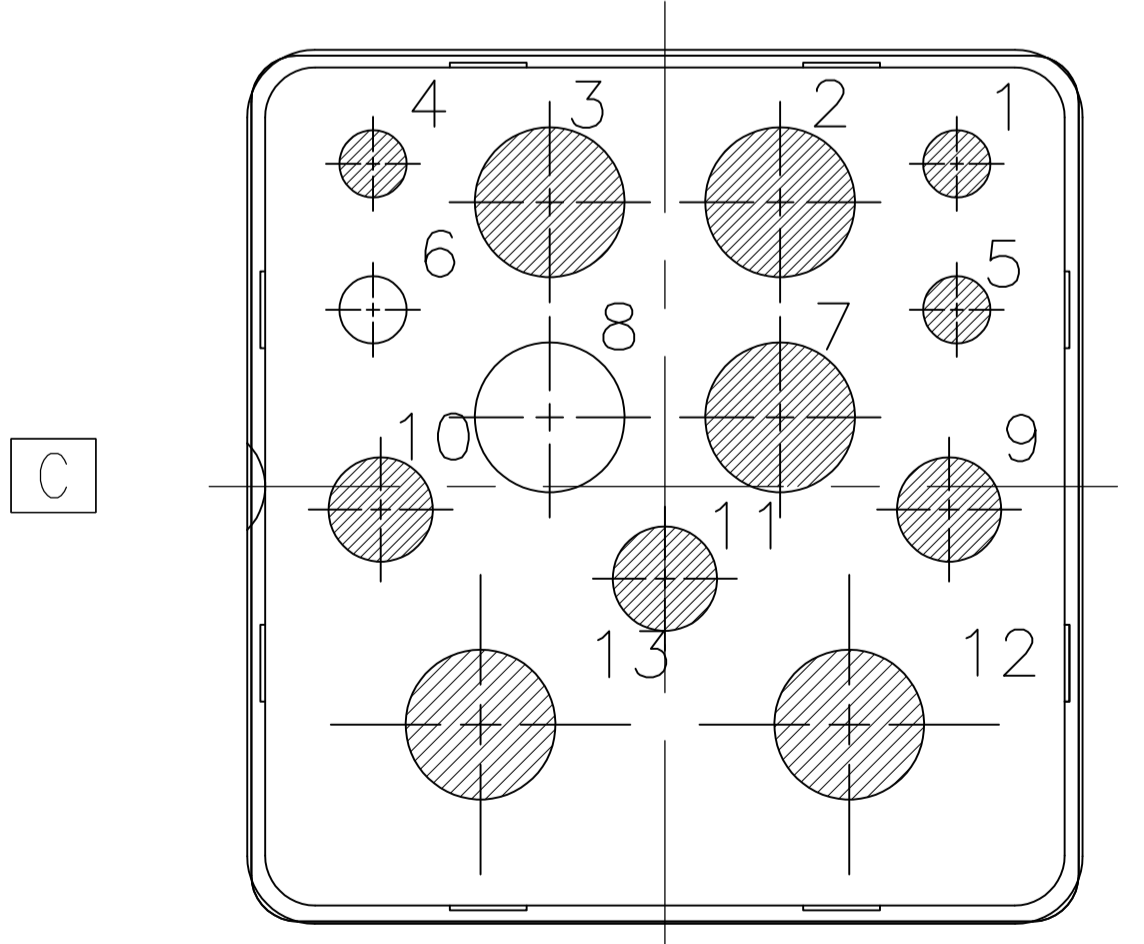
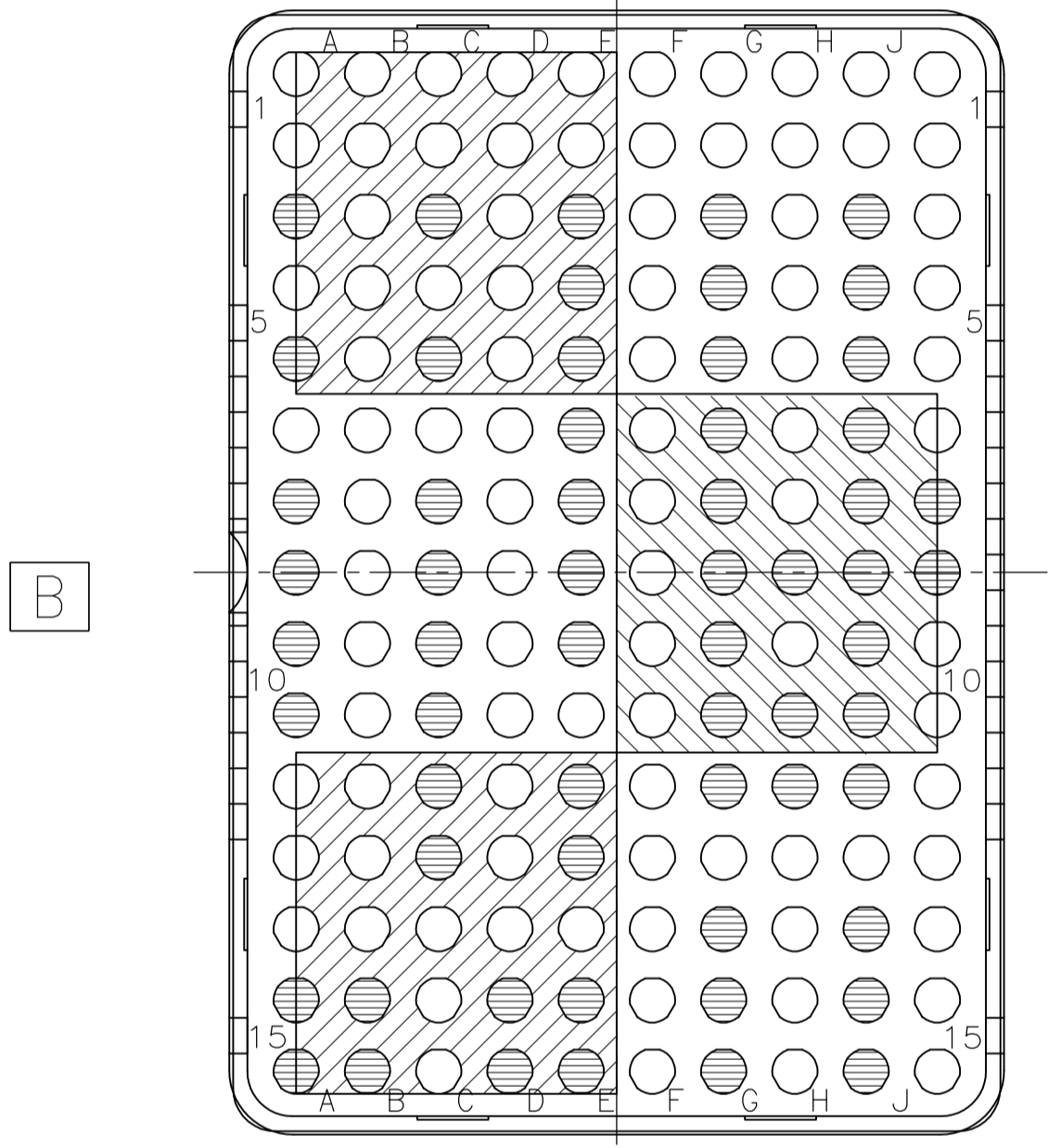
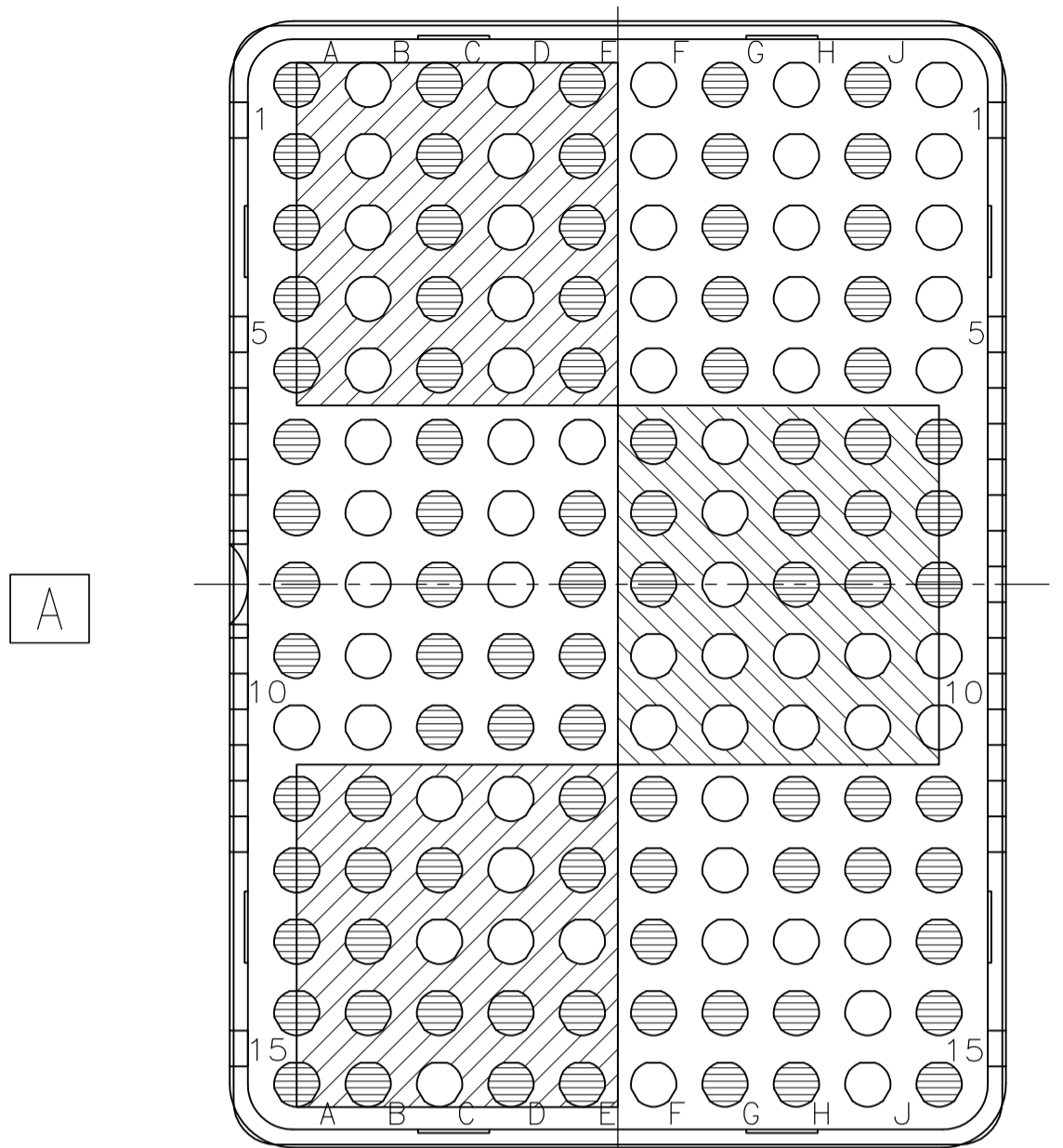
"00"	MODULE A 211431-4 (SZ 22 SOCKET CONTACT; QTY=87)	1757763-1
	MODULE B 211431-4 (SZ 22 SOCKET CONTACT; QTY=60)	
	MODULE C 1-448140-8 (SZ 12 POSTED PIN CONTACT; QTY=5) 1-448139-4 (SZ 16 POSTED PIN CONTACT; QTY=3) 1-448138-2 (SZ 20 POSTED PIN CONTACT; QTY=3)	
KEYING POSITION	CONTACTS INCLUDED AND INSTALLED (NO FILLERS PLUGS INCLUDED OR INSTALLED)	PART NUMBER

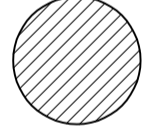
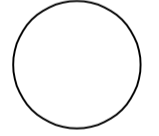
THIS DRAWING IS A CONTROLLED DOCUMENT.

DIMENSIONS: INCHES	TOLERANCES UNLESS OTHERWISE SPECIFIED:	DWN: C.C.THOMAS 3-6-09	APVD: K.THACKSTON 3-6-09	NAME: K.THACKSTON	PRODUCT SPEC	RCPT ASSY, SIZE 2, ARINC 600 (150/150/13C2 SPCL)	
0 PLC ± -	1 PLC ± -	2 PLC ± -	3 PLC ± -	4 PLC ± -	ANGLES ± -	APPLICATION SPEC	
MATERIAL: SEE TABLE	FINISH: SEE TABLE	WEIGHT: -	SIZE: A1	CAGE CODE: 00779	DRAWING NO: 1757763	RESTRICTED TO: -	
CUSTOMER DRAWING						SCALE: 3:2	SHEET: 1 OF 2


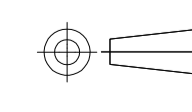
Tyco Electronics Corporation
Harrisburg, Pa 17105-3608

LOC		DIST		REVISIONS			
P	LTR	DESCRIPTION	DATE	DNW	APVD		
-	-	SEE SHEET 1	-	-	-	-	-



 = CONTACT INSTALLED
 = OPEN

MATING FACE VIEW
SCALE 4:1

THIS DRAWING IS A CONTROLLED DOCUMENT.		DWN C.C.THOMAS 3-6-09 CHK K.THACKSTON 3-6-09 APVD K.THACKSTON 3-6-09	 Tyco Electronics Corporation Harrisburg, Pa 17105-3608
DIMENSIONS: INCHES 	TOLERANCES UNLESS OTHERWISE SPECIFIED: 0. PLC ± - 1. PLC ± - 2. PLC ± - 3. PLC ± - 4. PLC ± - ANGLES ± -	NAME RCPT ASSY, SIZE 2, ARINC 600 (150/150/13C2 SPCL)	SIZE A1
MATERIAL SEE TABLE	FINISH SEE TABLE	WEIGHT - CUSTOMER DRAWING	DRAWING NO 1757763 SCALE 3:2 SHEET 2 OF 2 REV B