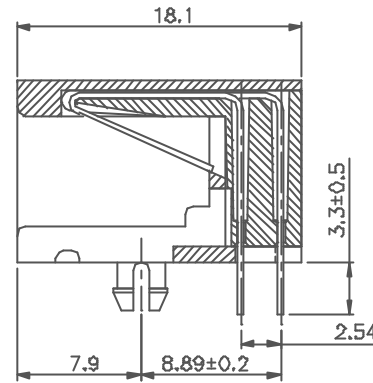
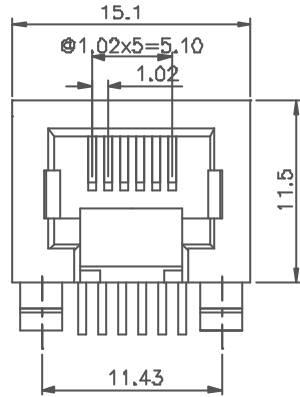
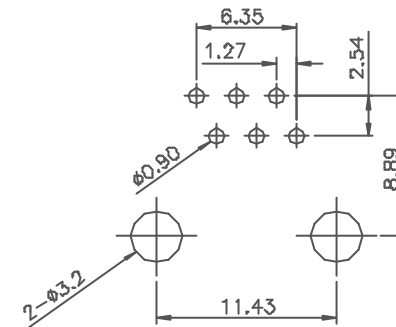
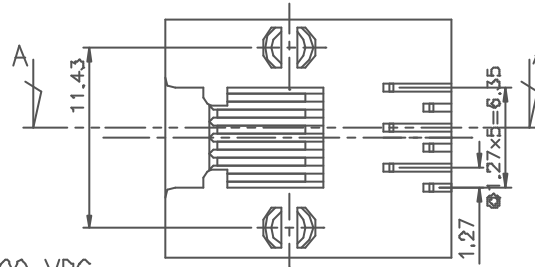


REVISION RECORD				
REV	ECO	DESCRIPTION	DRFT	DHGD



SECTION A-A



PC BOARD LAYOUT COMPONENT SIDE SHOWN

NOTES:

ELECTRICAL:

- VOLTAGE RATING : 125 VAC RMS.
- CURRENT RATING : 1.5 AMP.
- CONTACT RESISTANCE : 35 MILLIOHMS MAX.
- INSULATION RESISTANCE: 1000 MEGOHMS MIN @ 500 VDC.
- DIELECTRIC STRENGTH : 1000 VAC RMS 60HZ, 1MIN.

MECHANICAL:

- HOUSING MATERIAL : GLASS FILLED POLYESTER UL94V-0.
- CONTACT MATERIAL : PHOSPHOR BRONZE t=0.35mm.
- PLATING : 1: CONTACT AREA- SELECTIVE GOLD PLATING.
2: TAILS- 150u" TIN-LEAD MIN OVER 50u" NICKEL.
- OPERATING LIFE : 750 CYCLES MIN.
- PCB RETENTION PRE-SOLDER : 1 LB MIN.
- PCB RETENTION POST-SOLDER: 10 LBS MIN.

ENVIRONMENTAL:

- STORAGE : -40°C TO +85°C.
- OPERATION: 0°C TO 70°C.

MATES WITH MODULAR PLUG CONFORMING TO FCC PART 68, SUBPART F.

CUL FILE NO. E163191

PART NUMBER: E5386-PO02FX

- 1- 3u" 2- 6u"
- 3-15u" 4-30u"
- 5-50u"

MM (INCH)	DFTD Garvey DATE 9/18/00*
TOLERANCES EXCEPT AS NOTED	CHKD JACK DATE 8/18/00*
	MFO LMJ DATE 8/18/00*
	APPL YUAN DATE 8/18/00*
MATERIAL :	
ANGLES ±	QTY :
FINISH :	
SCALE : 3:1	

FULL RISE ELECTRONIC CO., LTD

TITLE
11.5 SIDE ENTRY ,外八内六 ,加深型

DRAWING NO. GE533A2B	SIZE A3	REV 0
/PART NO. SEE NOTE		
DID NOT SCALE DRAWING		SHEET 1 OF 1