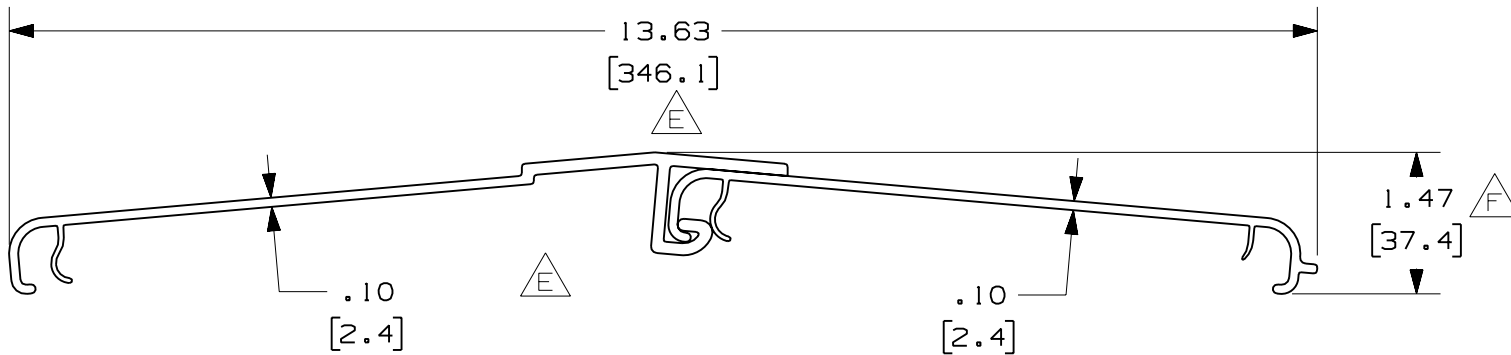


| $\triangle D$ PANDUIT PART NUMBER | LENGTH | WEIGHT | WEIGHT/LENGTH |
|-----------------------------------|---|--------------------|--------------------------|
| FRHC12**2 (SEE NOTE 1) | 78.74 IN \pm .18 IN (2000.0mm \pm 4.6mm) | 8.33 LB (3778g) | 1.27 LB/FT (18.9g/cm) |
| FRHC12**6 (SEE NOTE 1) | 72.00 IN \pm .18 IN (1828.8mm \pm 4.6mm) | 7.62 LB (3456g) | 1.27 LB/FT (18.9g/cm) |

NOTES:

- SEE CURRENT CATALOG FOR ADDITIONAL PART SUFFIXES TO INDICATE COLOR AND/OR PACKAGE QUANTITY.
- DIMENSIONS IN PARENTHESES ARE IN METRIC.



$\triangle A$ ENG. REF.: D37689BE_DC_FRHC12_01.prt

CAD FILENAME/LAYERS $\triangle C$ FRHC12.pdf

PANDUIT CORP TINLEY PARK, ILLINOIS
FIBERRUNNER 12x4 SNAP-ON HINGED COVER (FRHC122, FRHC12**6)**
 $\triangle B$ CUSTOMER DRAWING

UNLESS OTHERWISE SPECIFIED, DIMENSIONAL TOLERANCES ARE:
 (.X) \pm (.XXX) \pm
 (.XX) \pm .03 (0.8) ANGLES \pm

UNLESS OTHERWISE SPECIFIED, ALL DIMENSIONS ARE GIVEN IN INCHES, THIRD ANGLE PROJECTION.

| REV | DATE | BY | CHK | DESCRIPTION | ECN | R | CUST | SUP | GMBH |
|-----|---------|------|------|---|----------|-----|------|-----|------|
| - | ----- | --- | --- | F. RELOCATED DIMENSION | ----- | --- | --- | | |
| - | ----- | --- | --- | E. REMOVED DIMENSIONS D. REVISED ENTIRE CHART | ----- | --- | --- | | |
| 2 | 7-20-06 | DTP | RN | C. REVISED CAD FILENAME B. REVISED DRAWING TITLE | 37689-06 | RN | RN | | |
| 1 | 6-20-01 | JHNU | HIW | A. REVISED FILENAME: CONVERTED TO PDF FILE | 37689-06 | HIW | HIW | | |
| R | 10-5-00 | JHNU | RCRO | RELEASED TO PRODUCTION | 37689-06 | HIW | HIW | | |

| | | |
|------------------|---------------|-------------------------|
| DRAWN BY JHNU | MAT'L: PVC | SCALE NONE |
| DATE 10-5-00 | | DRAWING NO. 37689-06 |
| CHK'D RCRO | | DWG A SIZE |