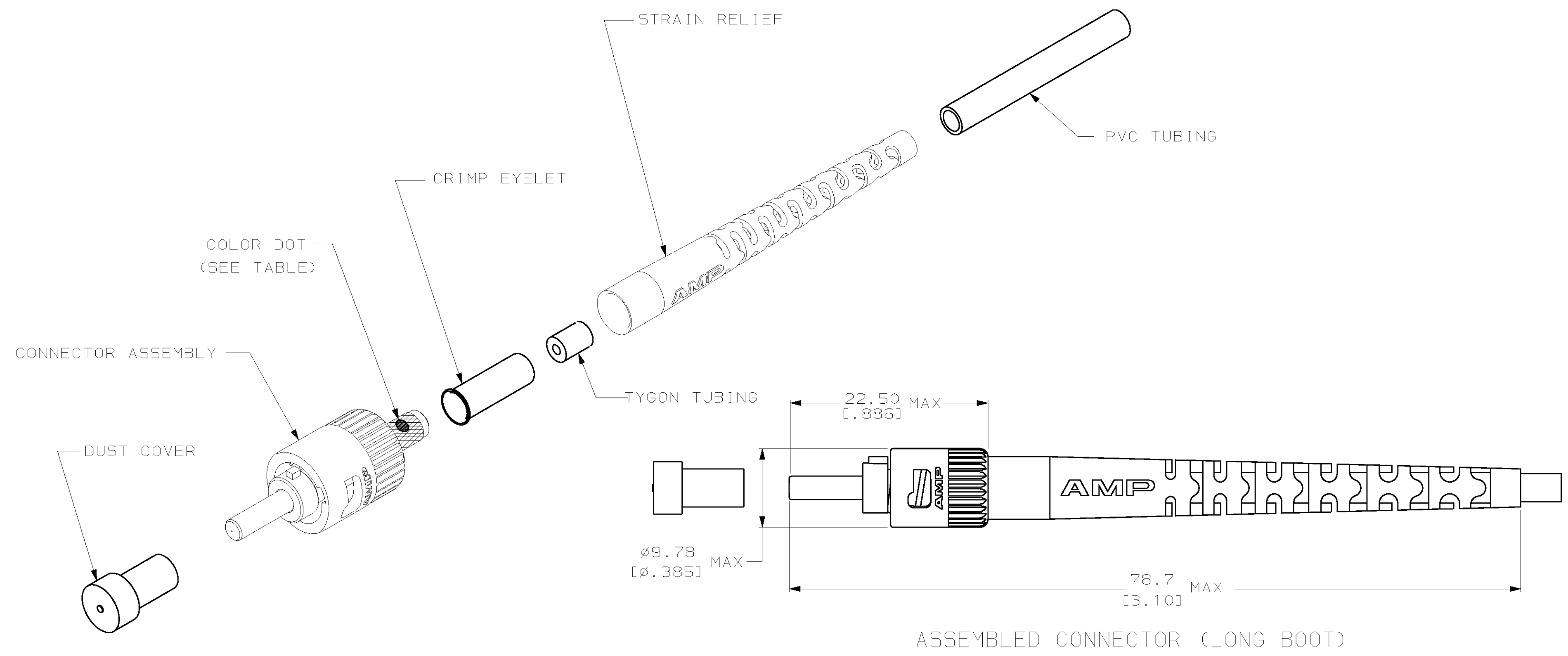


THIS DRAWING IS UNPUBLISHED. RELEASED FOR PUBLICATION  
 (C) COPYRIGHT 19 BY AMP INCORPORATED. ALL RIGHTS RESERVED.

LOC	DIST	REVISIONS			
P	LTR	DESCRIPTION	DATE	DWN	APVD
CE	16	J	REV PER 0A00-0348-02	17JUN02	JWD SB



ASSEMBLED CONNECTOR (LONG BOOT)

1. DIMENSIONS IN [ ] ARE IN INCHES.
- ② BODY: BRASS  
 CAPILLARY: ZIRCONIA (ZrO<sub>2</sub>)  
 COUPLING NUT: ZINC  
 STRAIN RELIEF: THERMOPLASTIC
  - ③ BODY: ELECTROLESS NICKEL  
 COUPLING NUT: ELECTROLESS NICKEL

OBSOLETE	STRAIN RELIEF COLOR	COLOR DOT	FIBER SIZE	PART NO
		RED	126 μm	502579-4
	YELLOW	BLUE	127 μm	502579-3
	YELLOW	RED	126 μm	502579-2
		YELLOW	125 μm	502579-1

THIS DRAWING IS A CONTROLLED DOCUMENT.		DWN N. MILLER 7-2-90	AMP Incorporated Harrisburg, PA 17105-3608	
DIMENSIONS: mm		CHK R. SCHAFER 7-2-90		
TOLERANCES UNLESS OTHERWISE SPECIFIED: 0 PLC ± 1 PLC ± 2 PLC ± 3 PLC ± 4 PLC ± ANGLES ±		APVD J. EBERLE 7-2-90	NAME CONNECTOR KIT, SINGLEMODE, 2.5mm BAYONET, OPTIMATE	
MATERIAL		FINISH	SIZE A2	CAGE CODE 00779
②		③	DRAWING NO C-502579	RESTRICTED TO
CUSTOMER DRAWING			SCALE NTS	SHEET 1 OF 1