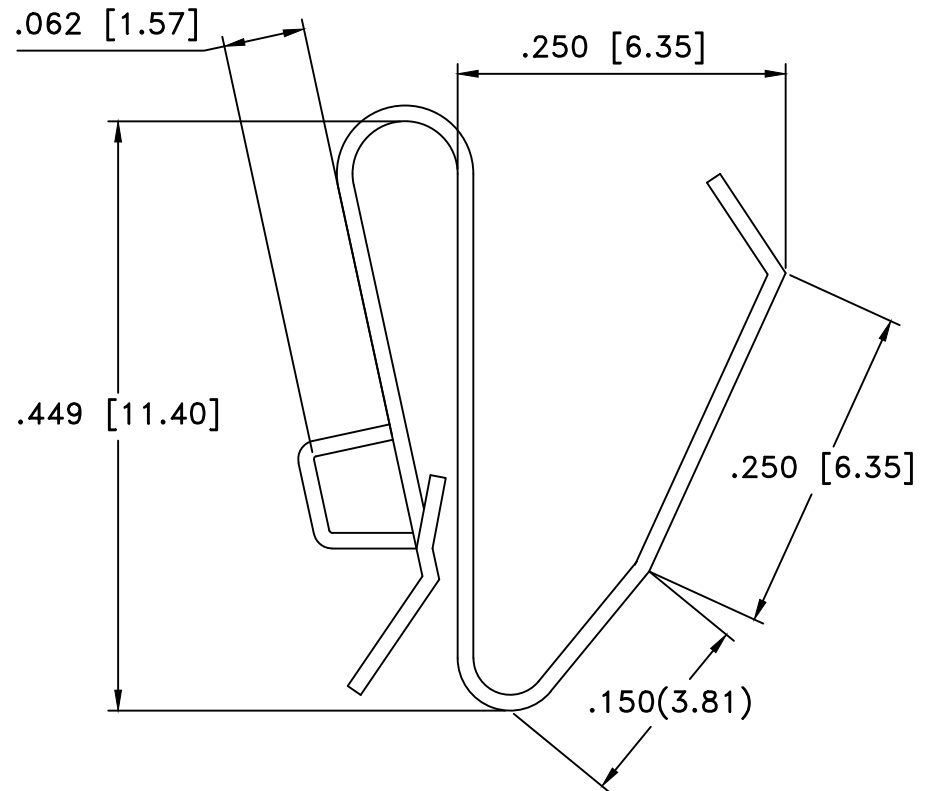
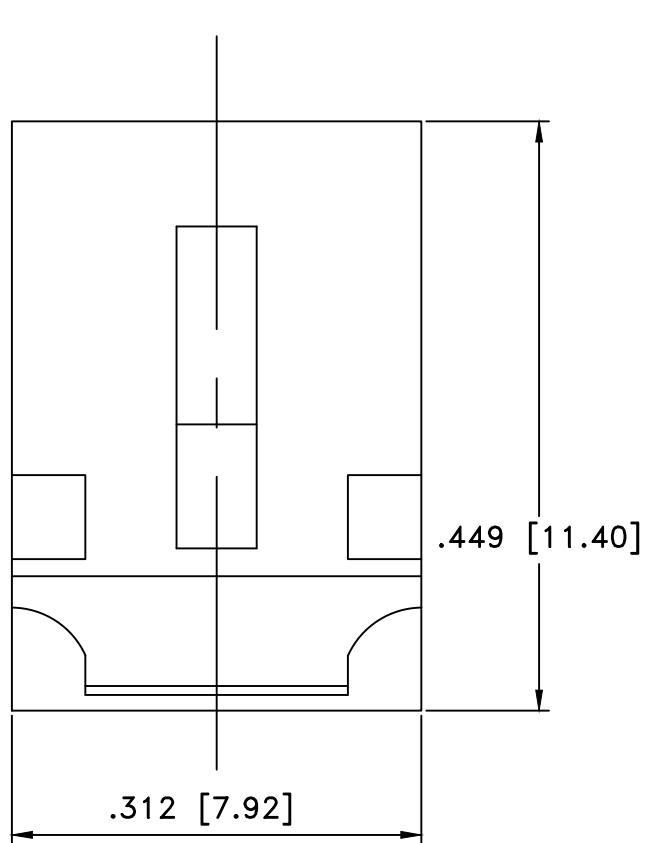



Date	SYM	REVISION RECORD	AUTH	DR.	CK.
07/01/16	E	MATERIAL WAS SPRING TEMPER STAINLESS STEEL	T.B.	B.S.	
09/02/21	F	ADDED WEIGHT OF THE PART	T.B.	B.S.	



MATERIAL:
 0.012" SPRING STEEL, NICKEL PLATED
 ROHS COMPLIANT
 APPROXIMATE WEIGHT: 0.70g

Tolerance (Except as noted)	 Memory protection Devices, Inc 200 Broad Hollow Road, Farmingdale, New York 11735		
decimal ±.5 (.020)		Scale 8=1	Drawn By B.S. Approved By T.B.
Fractional ± .8 (.030)	Title BATTERY CONTACT, AA		
Angular ± 3°	Date 09/02/21	Drawing Number BK-209	