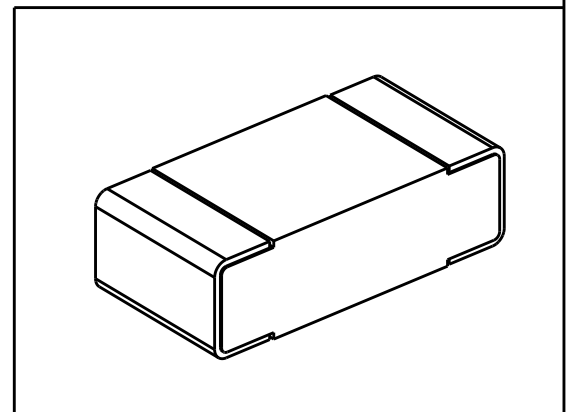
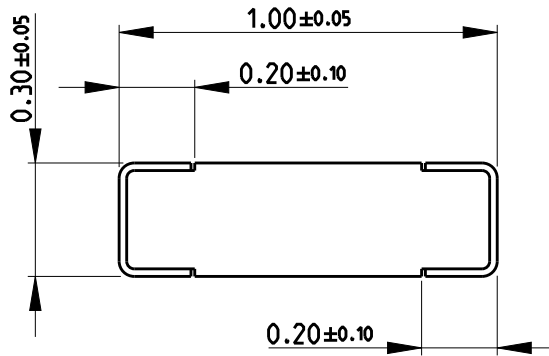
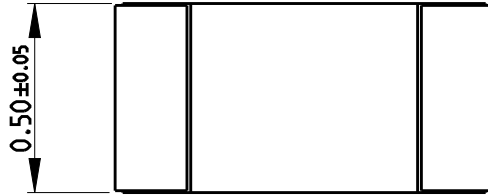


REVISIONS

P	LTR	DESCRIPTION	DATE	DWN	APVD
	BA	NEW RELEASE	12NOV2019	SR	AP

FOR FURTHER INFORMATION SEE DATA SHEET FOR CPF-A SERIES THIN FILM PRECISION CHIP RESISTORS



RoHS Compliant

© 2019 TE Connectivity. All Rights Reserved.

DIMENSIONS: mm	DWN SUPREETH R	12NOV2019	MATERIAL	-	FINISH	-
	CHK ALLAN P	12NOV2019				
TOLERANCES UNLESS OTHERWISE SPECIFIED:	APVD	-				
0 PLC ±0.5	PRODUCT SPEC	-	NAME THIN FILM PRECISION CHIP RESISTORS			
1 PLC ±0.2	APPLICATION SPEC	-	SERIES CPF-A-0402			
2 PLC ±0.1	WEIGHT	-	SIZE	CAGE CODE	DRAWING NO	RESTRICTED TO
3 PLC ±			A 4	00779	C-2176215	-
4 PLC ±			CUSTOMER DRAWING			SCALE 50:1
ANGLES ±5°						SHEET 1 OF 1
						REV BA