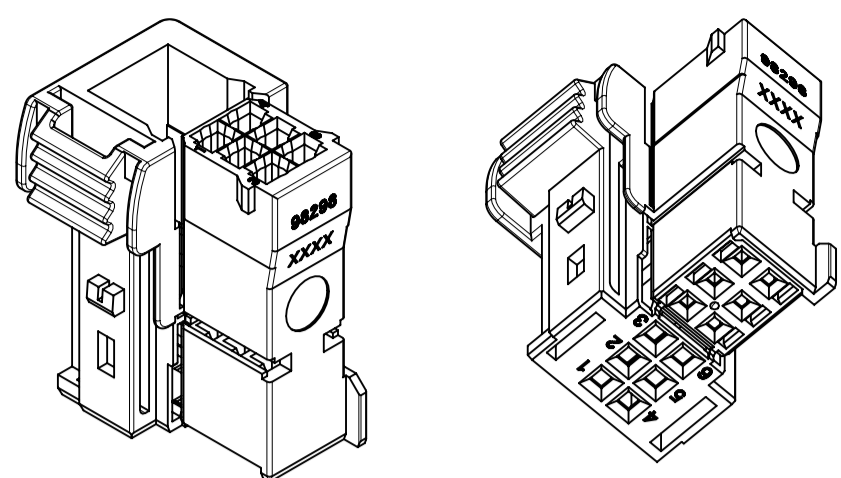
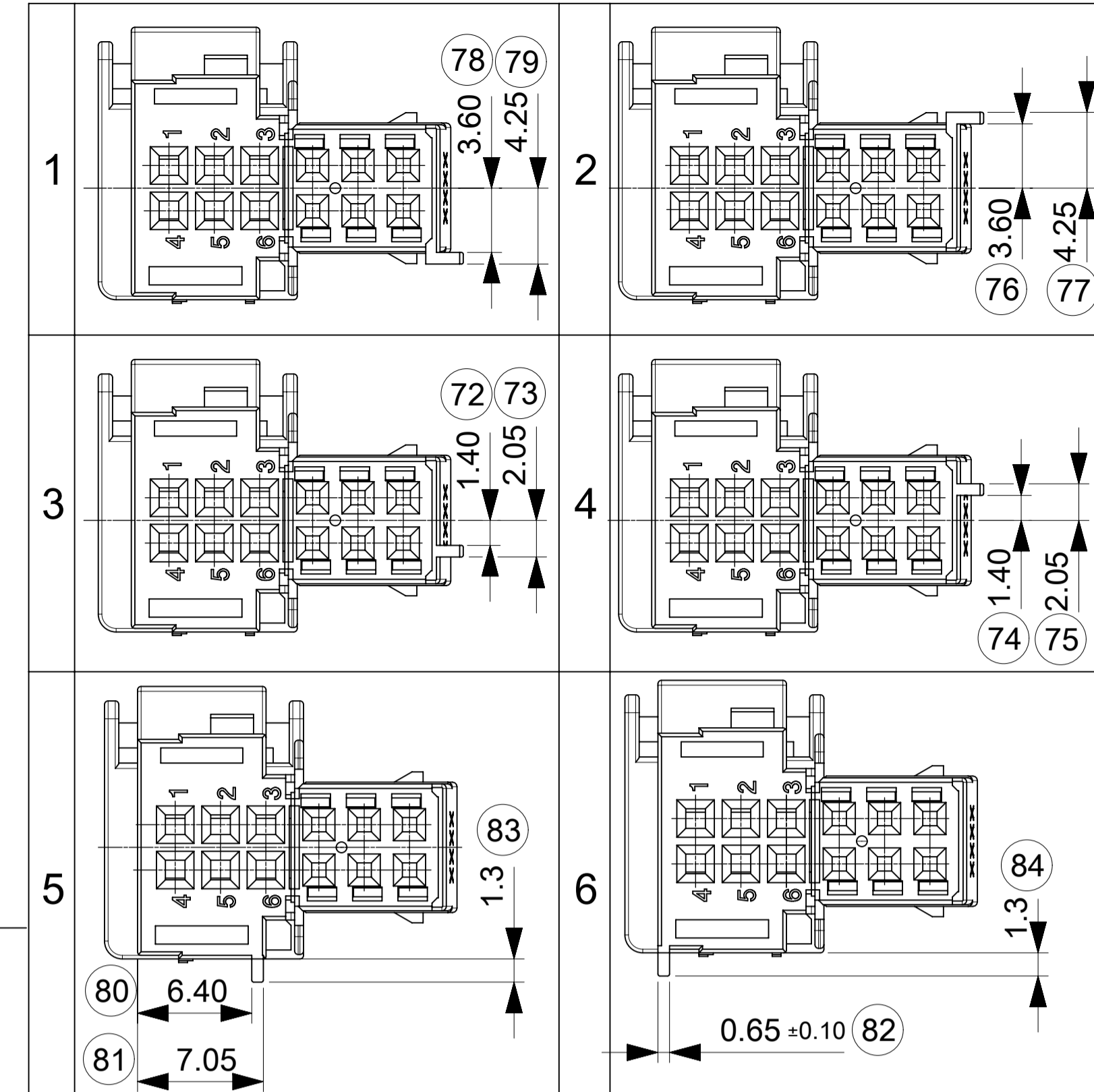
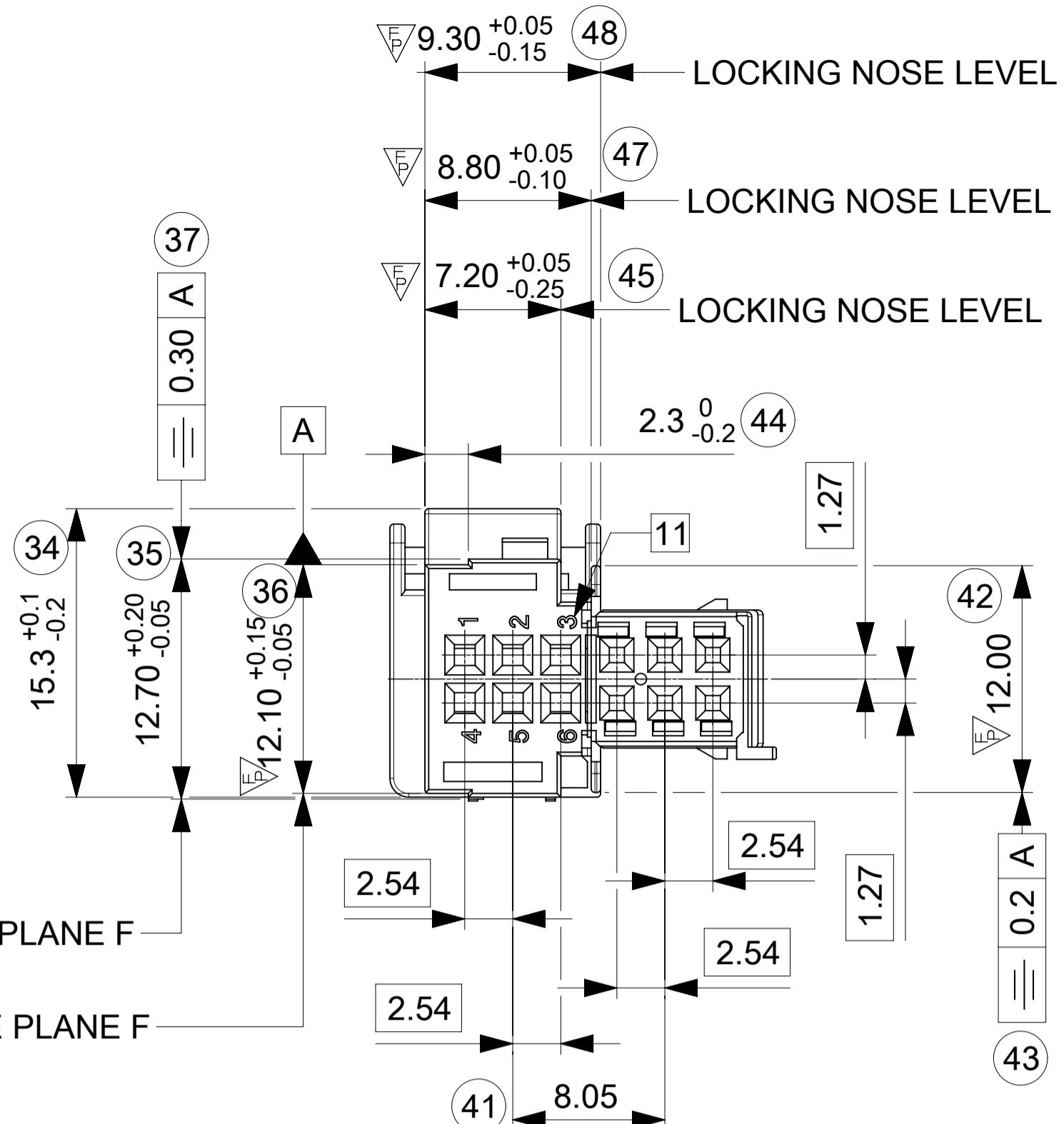
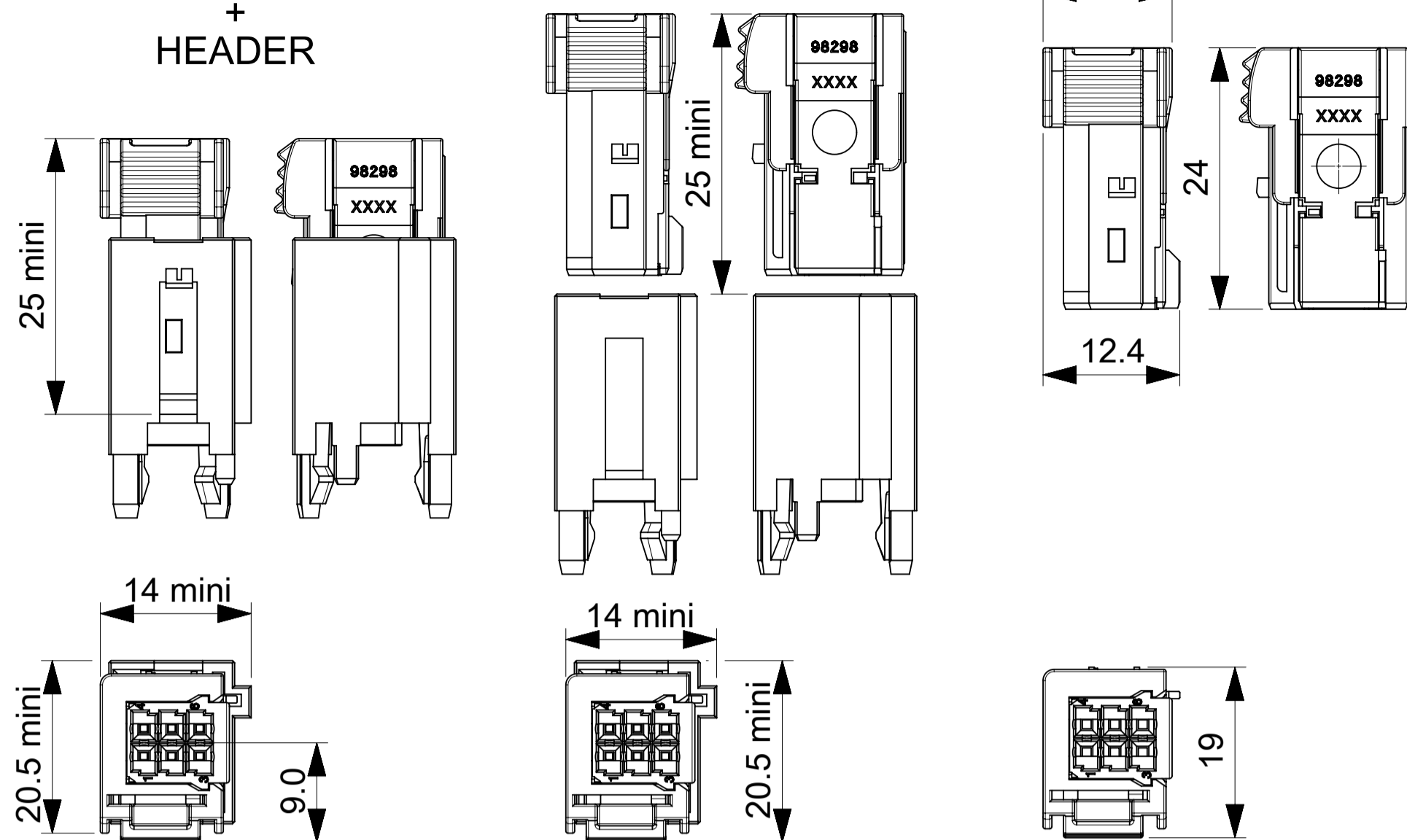


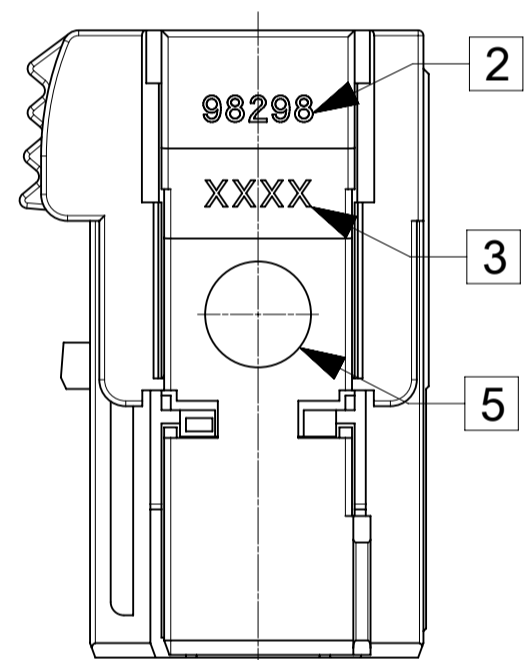
ISOMETRIC VIEWS



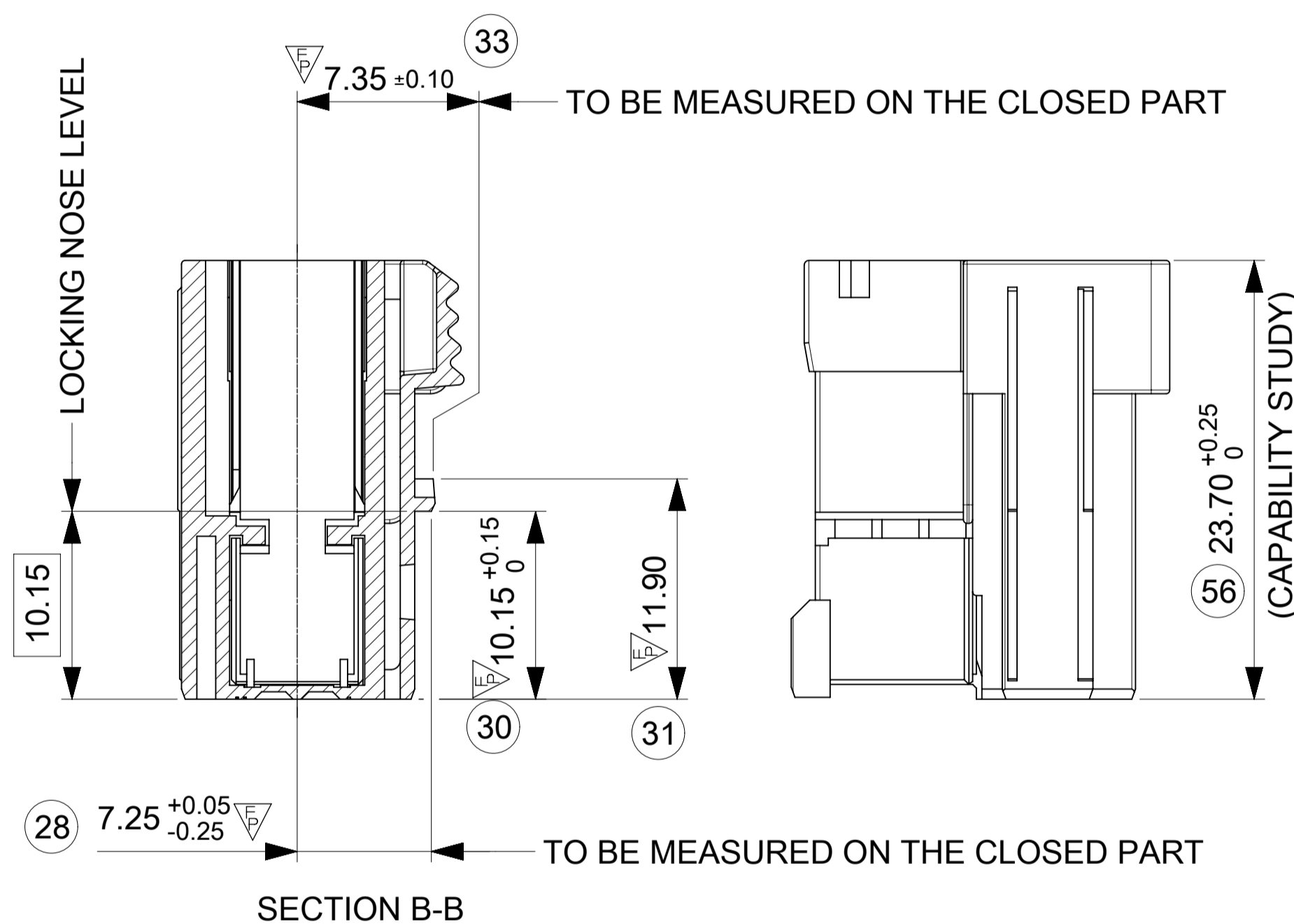
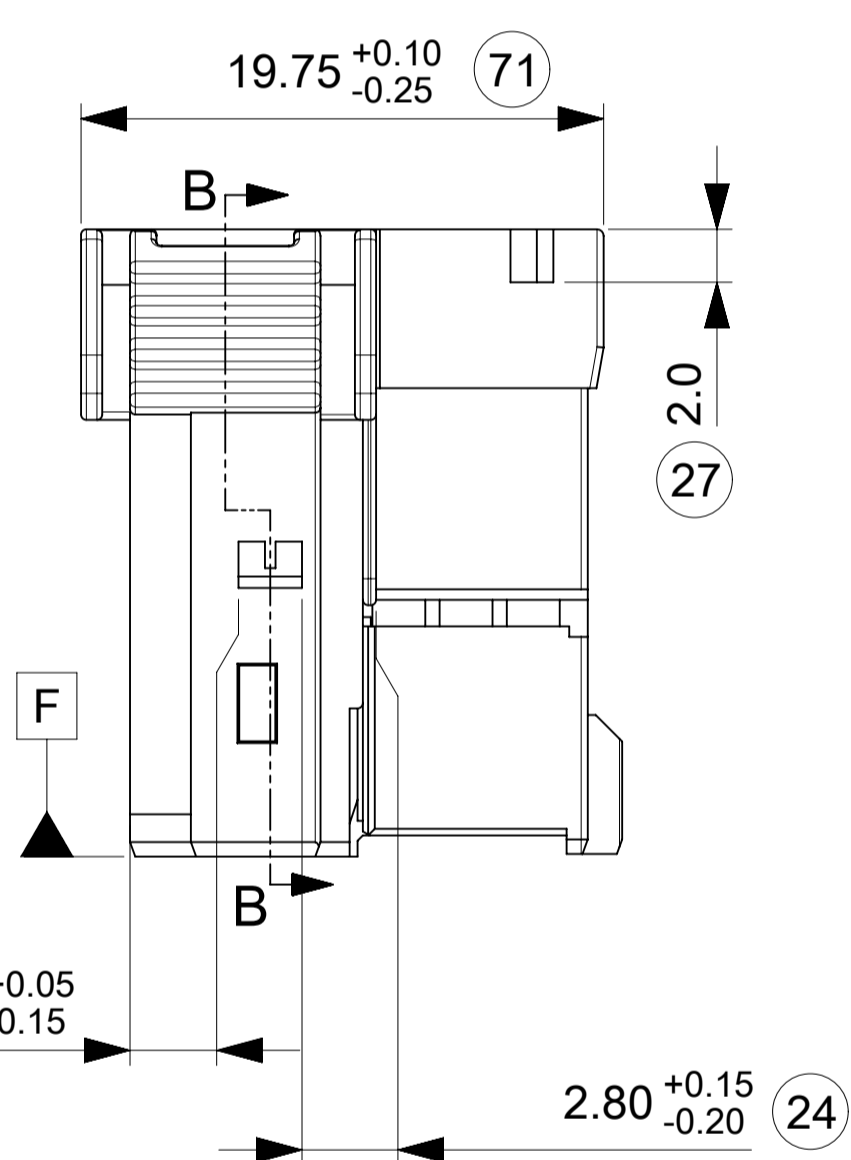
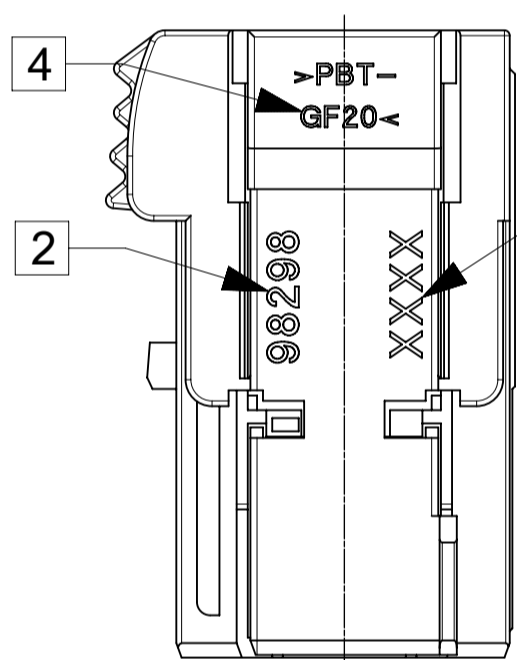
OVERALL DIMENSIONS
2x3 WAY BREAKABLE
+ HEADER



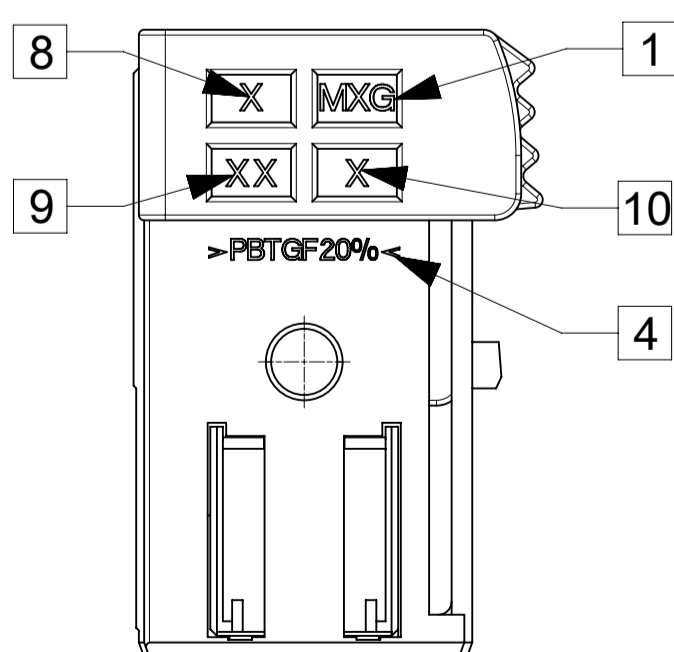
MOLD M1-M2
WIRE VERSION



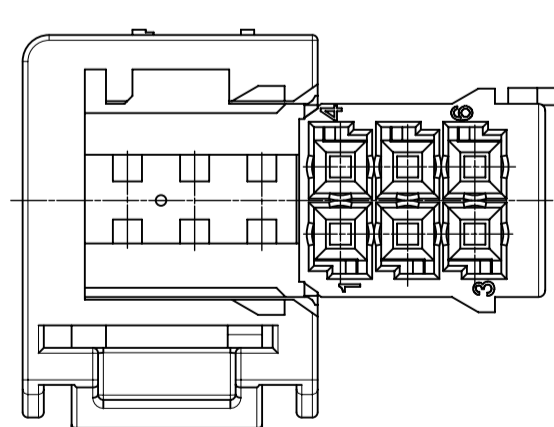
MOLD M3-M4
WIRE VERSION



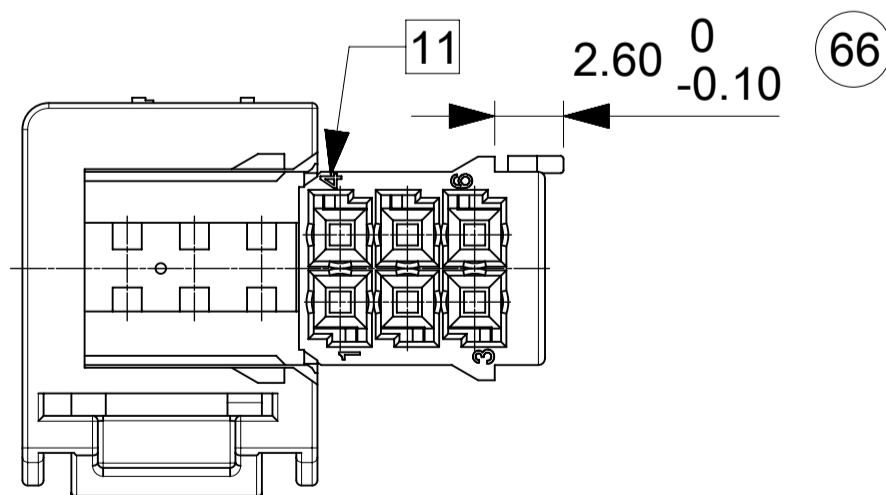
MOLD M1-M2
WIRE VERSION



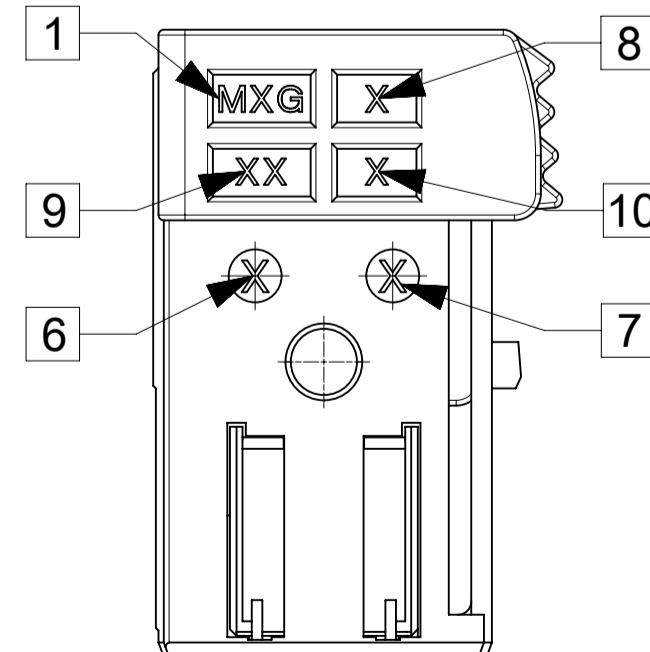
MOLD M3-M4
WIRE VERSION



MOLD M1-M2
WIRE VERSION



MOLD M3-M4
WIRE VERSION



CODING	COLOR	DESCRIPTION	MATERIAL NUMBER
6	BLEU BLUE	BLUE HSG WIRE	0982980006
5	GRIS GREY	GREY HSG WIRE	0982980005
4	MARRON BROWN	BROWN HSG WIRE	0982980004
3	VERTE GREEN	GREEN HSG WIRE	0982980003
2	BLANCHE WHITE	WHITE HSG WIRE	0982980002
1	NOIRE BLACK	BLACK HSG WIRE	0982980001

NOTES:

- 1 * Engineering control ID.
- 2 * Serie number.
- 3 * Part number.
- 4 * Material marking.
- 5 * Date indicator Year / Month.
- 6 * Applied to the Mold M3-M4. Date indicator Year.
- 7 * Applied to the mold M3-M4. Date indicator Month.
- 8 * Mold cavity marking.
- 9 * Mold revision level.
- 10 * MOLEX note.
- 11 * Cavity marking.

THIS DRAWING CONTAINS INFORMATION THAT IS PROPRIETARY TO MOLEX ELECTRONIC TECHNOLOGIES, LLC AND SHOULD NOT BE USED WITHOUT WRITTEN PERMISSION

FUNCTIONAL SYMBOLS

DIMENSION UNITS: mm SCALE: 3.5:1

GENERAL TOLERANCES (UNLESS SPECIFIED)

	MM	INCH
4 PLACES ±	±	±
3 PLACES ±	±	±
2 PLACES ±	0.05	±
1 PLACE ±	0.1	±
0 PLACES ±	±	±

ANGULAR TOL ± 1.0°

DRAFT WHERE APPLICABLE MUST REMAIN WITHIN DIMENSIONS

FIRST ANGLE PROJECTION

DRAWING: A1-SIZE

SERIES: 98298

CURRENT REV DESC: SEE TABLE OF MODIFICATIONS

EC NO: 682793

DRWN: YPUTTUR 2019/11/18

CHK'D: OPLESSIS 2021/11/08

APPR: FPAROLARI 2021/11/08

INITIAL REVISION:

DRWN: PGRANDCL 2001/08/16

APPR: LSTICKEI 2001/08/22

DOCUMENT NUMBER: SD-98298-002

DOC TYPE: PSD

DOC PART: 001

REVISION: G1

PRODUCT CUSTOMER DRAWING

MATERIAL NUMBER: SEE CHART

CUSTOMER: GENERAL MARKET

SHEET NUMBER: 1 OF 2

G1	Remastered in ECTR marking ID 8, 9 and 10 corrected in view "MOLD M3-M4"	RMV02	See title block
G	Add view : mold M3-M4 (see D16)	PBO	09/10/23
F	<p>Addition of the Molds M3 and M4. Update breakable areas on M1-M2.</p> <p>Pos. 24: 2.80 +0.15/-0.20 was 2.80 +0.15/-0.05. Pos. 28: 7.25 +0.05/-0.25 was 7.25 ±0.05. Pos. 33: 7.35 ±0.10 was 7.35 ±0.05. Pos. 34: 15.3 +0.1/-0.2 was 15.26 +0.10/-0.15. Pos. 35: 12.70 +0.20/-0.05 was 12.70 ±0.05. Pos. 36: 12.10 +0.15/-0.05 was 12.10 ±0.05. Pos. 37: 0.30 was 0.10. Pos. 45: 7.20 +0.05/-0.25 was 7.20 ±0.05. Pos. 47: 8.80 +0.05/-0.10 was 8.80 ±0.05. Pos. 48: 9.30 +0.05/-0.15 was 9.30 ±0.05. Pos. 71: 19.75 +0.10/-0.25 was 19.75 ±0.10. Pos. 82: 0.65 ±0.10 was 0.65 ±0.05.</p> <p>Added Locking nose level dim. Pos. 45-47-48. Added At the reference plane F dim. Pos. 35-36. Added To be measured on the close part dim. Pos. 28-33. Added 10.15 Locking nose level. Added Datum line F. Added pos. 84. Added notes.</p>	PGR	07/05/03
E1	Dim rep43 becomes 2.30 0/-0.2mm, it was 2.10±0.05mm. Symetry dimension rep44 becomes 0.2mm, it was 0.1mm.	LST	05/10/03
E	<p>Update views.</p> <p>Pos23: 4.10 +0.05/-0.15 was 4.10 ±0.05. Pos24: 2.80 +0.15/-0.05 was 2.80 ±0.05. Pos34: 15.26 +0.10/-0.15 was 15.26±0.10.</p>	PGR	05/06/17
D	Update views	MRI	04/10/11
C	Addition coding 5 and 6	MRI	03/12/16
B	Update coding	PGR	02/07/24
A	Preliminary issue for customer	PPO	02/06/28
REV	DESCRIPTION	NAME	DATE
MODIFICATION			

FUNCTIONAL SYMBOLS	THIS DRAWING CONTAINS INFORMATION THAT IS PROPRIETARY TO MOLEX ELECTRONIC TECHNOLOGIES, LLC AND SHOULD NOT BE USED WITHOUT WRITTEN PERMISSION		
	DIMENSION UNITS	SCALE	CURRENT REV DESC: SEE TABLE OF MODIFICATIONS
$\frac{E}{A} = 0$	mm	1:1	<p>EC NO: 682793 DRWN: YPUTTUR 2019/11/18 CHK'D: OPLESSIS 2021/11/08 APPR: FPAROLARI 2021/11/08</p>
$\frac{E}{C} = 0$	GENERAL TOLERANCES (UNLESS SPECIFIED)		
		MM	
$\frac{E}{P} = 0$	4 PLACES ±	±	
DIVISIONAL SYMBOLS	3 PLACES ±	±	
	2 PLACES ±	0.05 ±	
	1 PLACE ±	0.1 ±	
	0 PLACES ±	±	
	ANGULAR TOL	± 1.0 °	
	DRAFT WHERE APPLICABLE MUST REMAIN WITHIN DIMENSIONS	FIRST ANGLE PROJECTION	INITIAL REVISION: DRWN: PGRANDCL 2001/08/16 APPR: LSTICKEI 2001/08/22
DOCUMENT STATUS	P1	RELEASE DATE	2021/11/08 14:33:02
DRAWING		SERIES	DOCUMENT NUMBER
A1-SIZE		98298	SD-98298-002
MATERIAL NUMBER		CUSTOMER	DOC TYPE DOC PART REVISION
SEE CHART		GENERAL MARKET	PSD 001 G1
SHEET NUMBER		2 OF 2	

