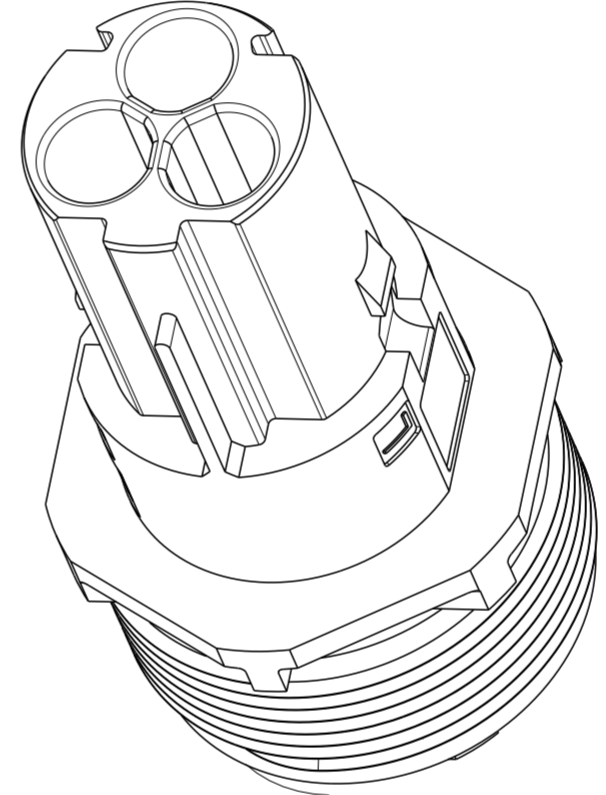
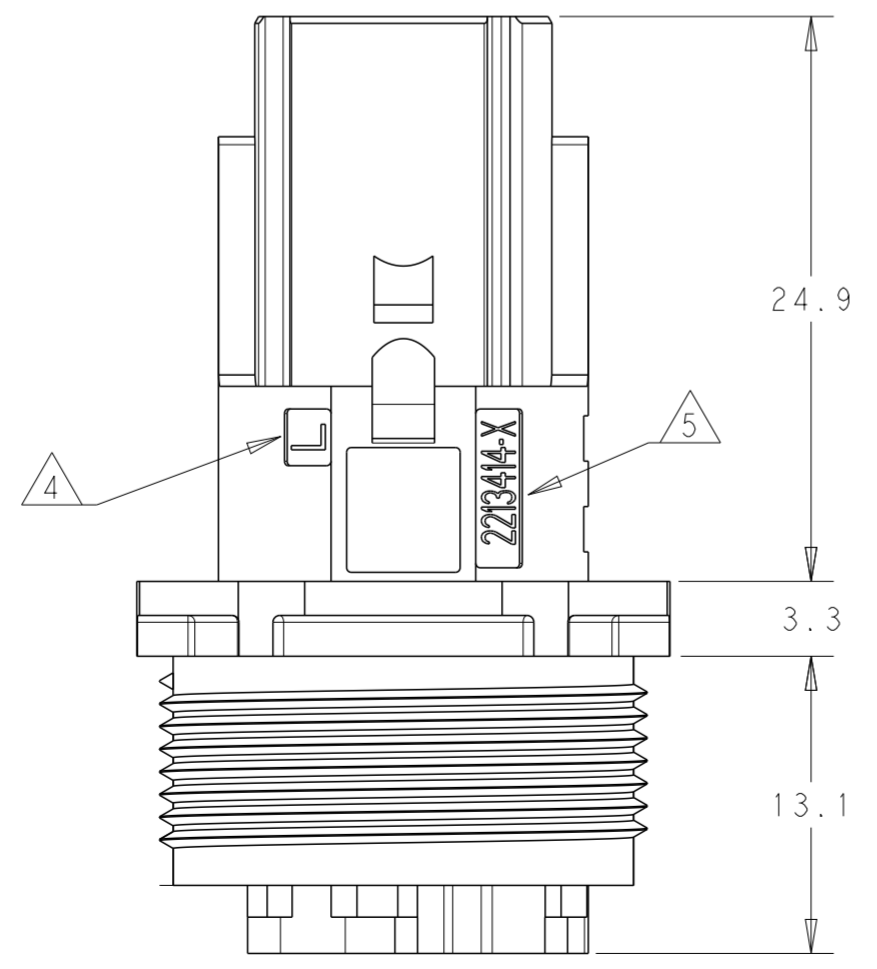
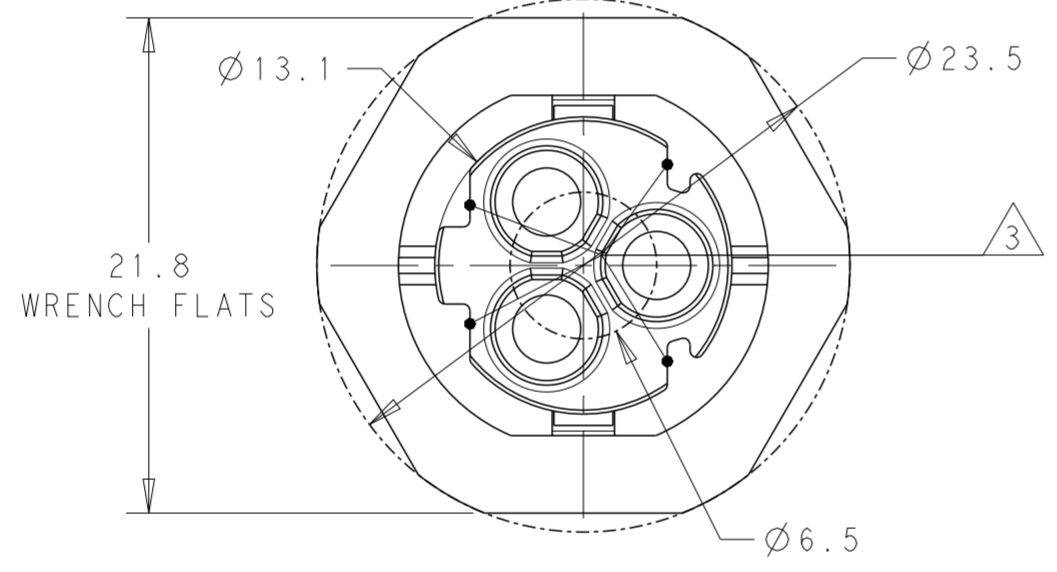
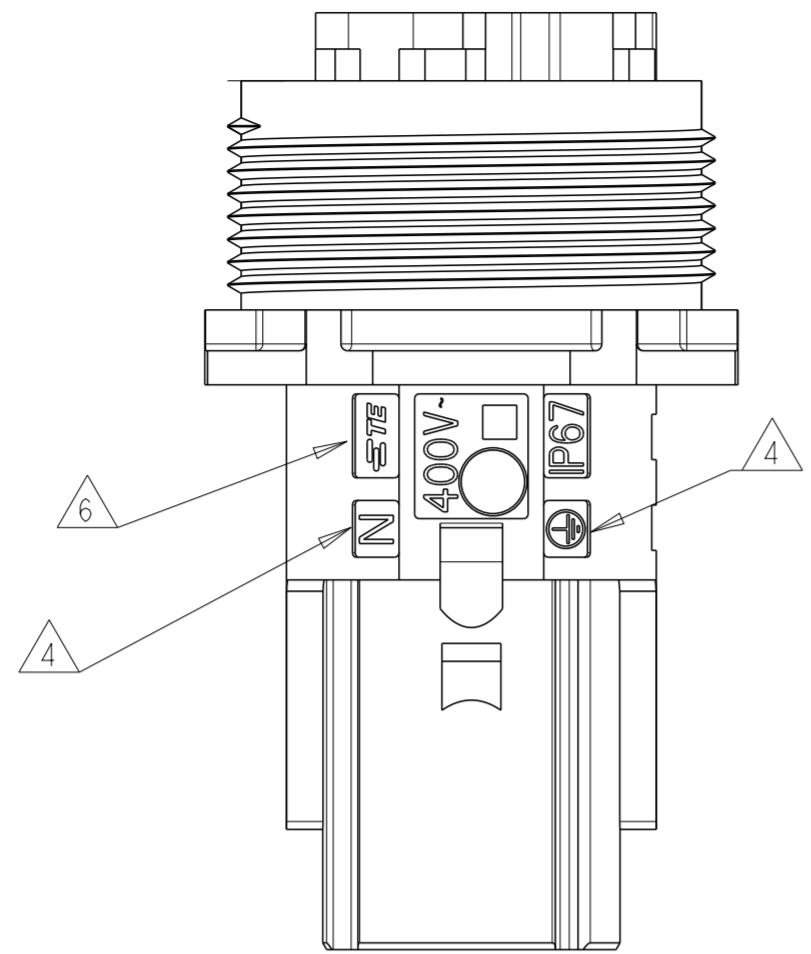


THIS DRAWING IS UNPUBLISHED. RELEASED FOR PUBLICATION 20  
 © COPYRIGHT 20 BY - ALL RIGHTS RESERVED.

REVISIONS					
P	LTR	DESCRIPTION	DATE	DWN	APVD
A		REVISED AS PER ECR-15-005925	21APR2015	RS	JL
A1		REVISED AS PER ECR-15-012095	20AUG2015	RS	JL



NOTES:

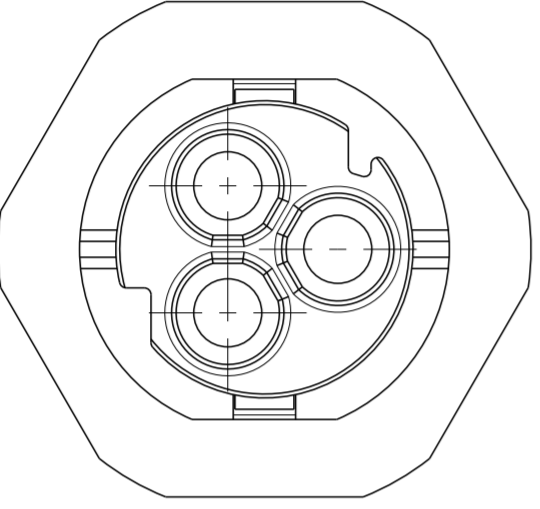
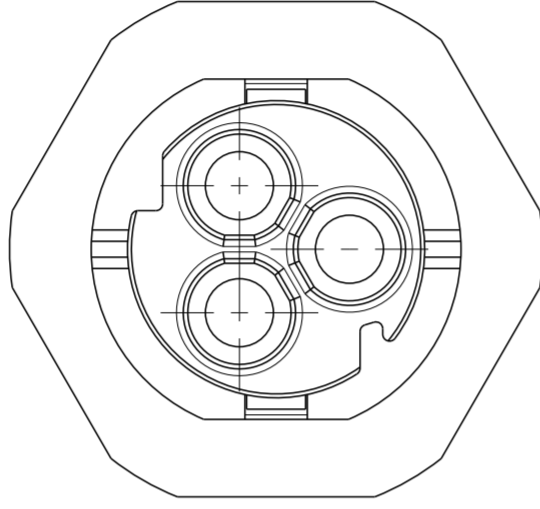
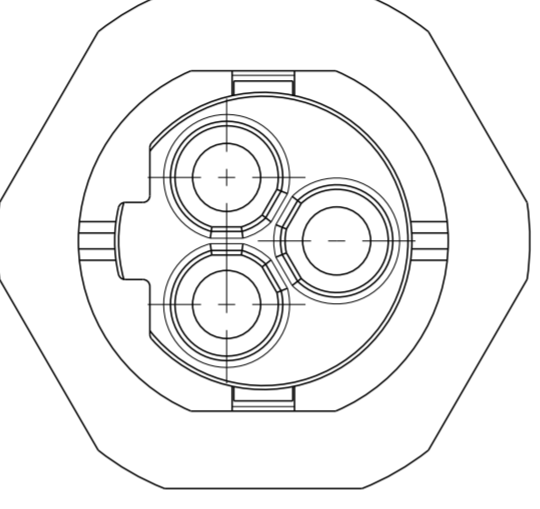
- MATERIAL: GLASS FILLED PBT, COLOR: BLACK
- MUST COMPLY WITH DIRECTIVE 2002/95/EC (ROHS)
- ALL POLARIZATION KEYS SHOWN FOR REF ONLY.
- CIRCUIT I.D.
- TE PART NUMBER
- TE LOGO
- THIS PRODUCT HAS NOT COMPLETED VALIDATION TESTING


C	FREE HANGING PIN HOUSING SEALED NECTOR M 3 POSN	2213414-3
B	FREE HANGING PIN HOUSING SEALED NECTOR M 3 POSN	2213414-2
A	FREE HANGING PIN HOUSING SEALED NECTOR M 3 POSN	2213414-1
POLAZATION TYPE	DESCRIPTION	P/N

THIS DRAWING IS A CONTROLLED DOCUMENT.		DWN RAVI.S 16OCT2013	<b>STE</b> TE Connectivity															
		CHK L.MAREK 16OCT2013																
		APVD L.MAREK 16OCT2013	NAME HOUSING, PIN, FREE-HANGING NECTOR M-LINE; 3 POLE															
DIMENSIONS: mm		TOLERANCES UNLESS OTHERWISE SPECIFIED:	PRODUCT SPEC 108-133014															
<table border="0"> <tr><td>0 PLC</td><td>±</td></tr> <tr><td>1 PLC</td><td>±0.2</td></tr> <tr><td>2 PLC</td><td>±0.13</td></tr> <tr><td>3 PLC</td><td>±</td></tr> <tr><td>4 PLC</td><td>±</td></tr> <tr><td>ANGLES</td><td>±3°</td></tr> <tr><td>FINISH</td><td>-</td></tr> </table>		0 PLC	±	1 PLC	±0.2	2 PLC	±0.13	3 PLC	±	4 PLC	±	ANGLES	±3°	FINISH	-	APPLICATION SPEC 114-32111	SCALE 4:1	
0 PLC	±																	
1 PLC	±0.2																	
2 PLC	±0.13																	
3 PLC	±																	
4 PLC	±																	
ANGLES	±3°																	
FINISH	-																	
MATERIAL -		WEIGHT -	SIZE A2	CAGE CODE -														
		Customer Drawing	DRAWING NO C-2213414	RESTRICTED TO -														
			SHEET 1 OF 2	REV A1														

THIS DRAWING IS UNPUBLISHED. RELEASED FOR PUBLICATION 20  
 © COPYRIGHT 20 BY - ALL RIGHTS RESERVED.

REVISIONS				
P	LTR	DESCRIPTION	DATE	APVD
-		SEE SHEET 1	-	-

POLARIZATION TYPES		
POLARIZATION TYPE "A"	POLARIZATION TYPE "B"	POLARIZATION TYPE "C"
		
PN 2213414-1	PN 2213414-2	PN 2213414-3

THIS DRAWING IS A CONTROLLED DOCUMENT.		DWN RAVI.S 16OCT2013	 TE Connectivity	
DIMENSIONS: mm		CHK L.MAREK 16OCT2013		
TOLERANCES UNLESS OTHERWISE SPECIFIED:		APVD L.MAREK 16OCT2013	NAME HOUSING, PIN, FREE-HANGING NECTOR M-LINE; 3 POLE	
0 PLC ±-		PRODUCT SPEC 108-133014	RESTRICTED TO	
1 PLC ±0.2		APPLICATION SPEC 114-32111	SIZE A2	CAGE CODE -
2 PLC ±0.13		WEIGHT -	DRAWING NO C-2213414	
3 PLC ±-		Customer Drawing	SCALE 3:1	SHEET 2 OF 2
4 PLC ±-			REV A1	
ANGLES ±3°				
FINISH				