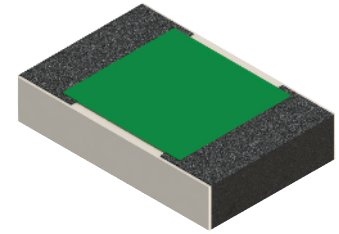


RP0805ZZ-XXXXWN-91 Features:

- Wraparound Terminal Configuration
- Solder, Epoxy or Wirebondable Terminals
- Customer Defined Testing Available
- RoHS Compliant or SnPb Available
- Non-Magnetic Available
- Tape and Reel and Waffle Pack Available (Standard is bulk)

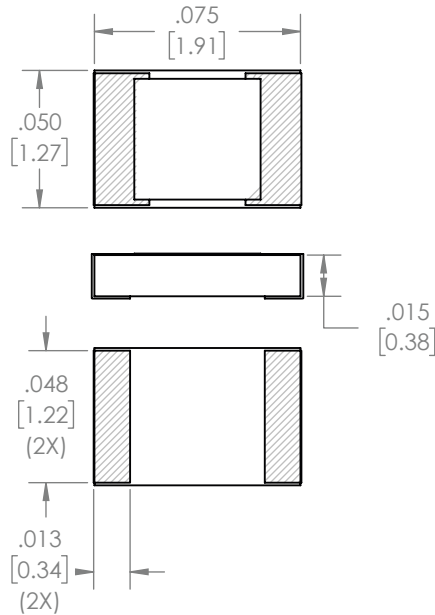


RP0805ZZ-XXXXWN-91 Parameters:

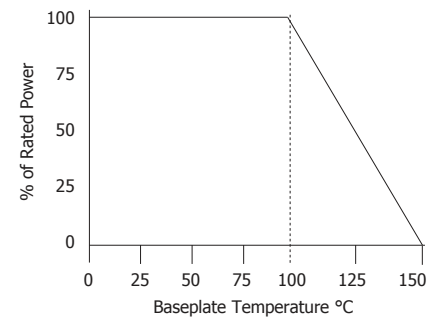
| | |
|------------------------|---|
| Resistance Range: | 0.5Ω - 1MΩ |
| Rated Power:* | 2W |
| Construction: | Thick Film on 0.015" Al ₂ O ₃ |
| Operating Temperature: | -55 to +150°C |

* Rating based on ≤100°C constant baseplate temperature

RP0805ZZ-XXXXWN-91 Dimensions:



RP0805ZZ-XXXXWN-91 Power Derating Curve



Dimensions in inches [mm]
 Tolerance is ± 0.005 [0.13]
 unless otherwise stated

Ordering Information:

Example Part Number: RP0805CT-50R0JN-91

| RP | 0805 | ZZ | - | XXXX | W | N | - | 91 | UU |
|---|--------------|---|---|---|---|---|---|---|---|
| Prefix for Wraparound Resistor | Size 0805 | Value Code 50R0 - 50Ω 1000 - 100Ω 1001 - 1KΩ | | Value Code 1002 - 10KΩ 1003 - 100KΩ 1004 - 1MΩ | Tolerance F - 1% G - 2% J - 5% | Normal Inspection Contact factory for additional options | | Substrate 91 - 0.015" Al ₂ O ₃ | Packaging Blank - Bulk TR - Tape & Reel WP - Waffle Pack |
| Terminal Metallization | | | | RoHS | Magnetic | Solder | | Epoxy | Wirebond |
| CB - Tin Lead over Nickel over Silver | | | | No | Yes | Yes | | No | No |
| CC - 100% Matte Tin over Copper over Silver | | | | Yes | No | Yes | | No | No |
| CT - 100% Matte Tin over Nickel over Silver | | | | Yes | Yes | Yes | | No | No |
| GA - Gold | | | | Yes | No | No | | Yes | Yes |

Barry Industries reserves the right to change part number and/or process without notification.

RP0805ZZ-XXXXWN-91 Reliability Specifications:

| Parameter: | Test Condition: | Results: |
|--------------------------------|---|---|
| Short Time Overload | Apply 1.1x Rated Power for 5 Seconds. | ≤ 5.0% Resistance Shift |
| Rated Load Life | Apply 1/2 Power Under 40°C ±2°C 90 Minutes on/ 30 Minutes off. Repeat for 100 hours | ≤ 5.0% Resistance Shift |
| Moisture Resistance | MIL-PRF-55342 para 4.8.9 95% RH, 25°C - 65°C | ≤ 5.0% Resistance Shift |
| Resistance to Soldering Heat | MIL-STD-202 Method 210 and MIL-PRF-55342 Para 4.8.8.1 | ≤ 5.0% Resistance Shift |
| Resistance to Bonding Exposure | MIL-PRF-55342 Para 4.8.8.2 | ≤ 5.0% Resistance Shift |
| Solderability | MIL-PRF-55342 Para 4.8.12 | >95% Covered |
| High Temperature Storage | 125°C ±2°C for 500 Hours | 1.) ≤ 5.0% Resistance Shift 2.) No Significant Abnormality (Visual) |
| Thermal Shock | -65 to +125 30 Minutes Dwell, 5 Cycles | 1.) ≤ 5.0% Resistance Shift 2.) No Significant Abnormality (Visual) |

Barry Industries reserves the right to change part number and/or process without notification.