



617-960 MHz / 1710-2700 MHz / 3300-4200 MHz /
4900-6000 MHz Low PIM Rated X-pol 5.5 dBi Panel Antenna,
Wall Mount, 2x4.3-10 Female Connector

Antennas Technical Data Sheet

PE51FP1015

Features

- Low Passive Intermodulation (PIM) <-153 dBc @ 2x20W
- +/- 45 Slant Polarization
- Low return loss, stable performance
- 2 x 4.3-10 Female connector for long lasting consistent results
- Covers all sub 6 GHz 5G frequency bands including 600 MHz and extended CBRS

Applications

- Indoor distribution of 5G, LTE, GSM/CDMA
- In-building public or private networks
- LPWAN, LoRA, LTE-M, NB-IoT, IoT, M2M applications
- MIMO DAS (Distributed Antenna Systems)
- Wall Mounts

Description

The PE51FP1015 from Pasternack is a high performance, low PIM rated, wall mount MIMO panel antenna designed for in-building Distributed Antenna System (DAS) Networks. The PE51FP1015 operates from 617 to 6000 MHz which is ideal for 5G, LTE, CDMA, LPWAN/IoT/M2M applications including LoRA, LTE-M, and NB-IOT. The Multi-Band design of the Pasternack PE51FP1015 antenna eliminates the need to purchase different antennas for each frequency. The same antenna can be used for a wide array of in-building wireless applications where wide coverage is desired. Pasternack's PE51FP1015 can be used to distribute Cellular and WiFi signals throughout a building or area.

The directional 60 degree antenna with +/-45 slant polarization PE51FP1015 from Pasternack has 4.3-10 connectors and 5.5-7 dBi of gain. The key to providing the best performance in telecommunications is to ensure the components used are low PIM rated. This helps meet the increasing demand for higher data rates and the ability to provide streaming video for mobile devices. With a low PIM rating of <-150 dBc, the 617-6000 MHz PE51FP1015 helps meets the most demanding PIM requirements for 5G and LTE/4G bands.

The 4.3-10 connectorized PE51FP1015 antenna from Pasternack excels in large open areas such as indoor courtyards, indoor sporting venues, convention centers and shopping malls. The mounting bracket and hardware are included for easy installation. Our Pasternack ISO 9001:2008 registered facilities in Irvine, CA ships all 4.3-10 RF, microwave and millimeter wave waveguide components from stock the same day you purchase them. Pasternack offers the broadest and deepest in-stock inventory and is where to buy 5G antennas. Our expert technical support and friendly, knowledgeable customer service personnel are available to assist you with your particular needs for wall mount MIMO panel 5G cellular antennas.

Configuration

Design	Panel
Band Type	Wide
Radiation Pattern	Omni Directional
Polarization	±45 Deg. Slant
Connector Type	4.3-10 Female
Interface 2	4.3-10 Female
Number of Ports	2

Electrical Specifications

Description	Minimum	Typical	Maximum	Units
Frequency Range	617		6000	MHz
Input VSWR			2:1	
Gain		5.5	7	dBi

Click the following link (or enter part number in "SEARCH" on website) to obtain additional part information including price, inventory and certifications: [617-960 MHz / 1710-2700 MHz / 3300-4200 MHz / 4900-6000 MHz Low PIM Rated X-pol 5.5 dBi Panel Antenna, Wall Mount, 2x4.3-10 Female Connector PE51FP1015](#)



617-960 MHz / 1710-2700 MHz / 3300-4200 MHz /
 4900-6000 MHz Low PIM Rated X-pol 5.5 dBi Panel Antenna,
 Wall Mount, 2x4.3-10 Female Connector

Antennas Technical Data Sheet

PE51FP1015

Input Power	50	Watts
Passive Intermodulation 3rd Order, 2 x 20 W	-153	

Specifications by Band

Description	Band 1	Band 2	Band 3	Band 4	Band 5	Units
Range	0.617 to 0.698	0.698 to 0.96	1.71 to 2.7	3.3 to 4.2	4.9 to 6	GHz
Gain	5.5	6	7	6	6.5	dBi
Port to Port Isolation	20	20	20	28	30	dB
Horizontal Beam Width	80	70	68	55	50	Degrees
Vertical Beam Width	70	70	68	50	50	Degrees

Mechanical Specifications

Radome Material	ABS
Size	
Overall Length	12.2 in [309.88 mm]
Width	16.54 in [420.12 mm]
Height	3.94 in [100.08 mm]
Weight	2.2 lbs [997.9 g]

Environmental Specifications

Temperature	
Operating Range	-55 to +60 deg C
Humidity	< 95

Compliance Certifications (see [product page](#) for current document)

Plotted and Other Data

Notes:

Click the following link (or enter part number in "SEARCH" on website) to obtain additional part information including price, inventory and certifications: [617-960 MHz / 1710-2700 MHz / 3300-4200 MHz / 4900-6000 MHz Low PIM Rated X-pol 5.5 dBi Panel Antenna, Wall Mount, 2x4.3-10 Female Connector PE51FP1015](#)



617-960 MHz / 1710-2700 MHz / 3300-4200 MHz /
4900-6000 MHz Low PIM Rated X-pol 5.5 dBi Panel Antenna,
Wall Mount, 2x4.3-10 Female Connector

Antennas Technical Data Sheet

PE51FP1015

617-960 MHz / 1710-2700 MHz / 3300-4200 MHz / 4900-6000 MHz Low PIM Rated X-pol 5.5 dBi Panel Antenna, Wall Mount, 2x4.3-10 Female Connector from Pasternack Enterprises has same day shipment for domestic and International orders. Our RF, microwave and millimeter wave products maintain a 99.4% availability and are part of the broadest selection in the industry.

Click the following link (or enter part number in "SEARCH" on website) to obtain additional part information including price, inventory and certifications: [617-960 MHz / 1710-2700 MHz / 3300-4200 MHz / 4900-6000 MHz Low PIM Rated X-pol 5.5 dBi Panel Antenna, Wall Mount, 2x4.3-10 Female Connector PE51FP1015](#)

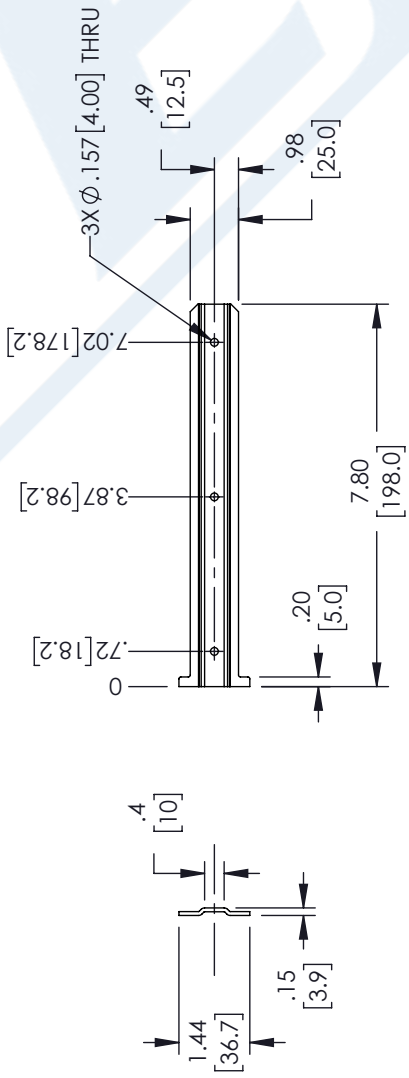
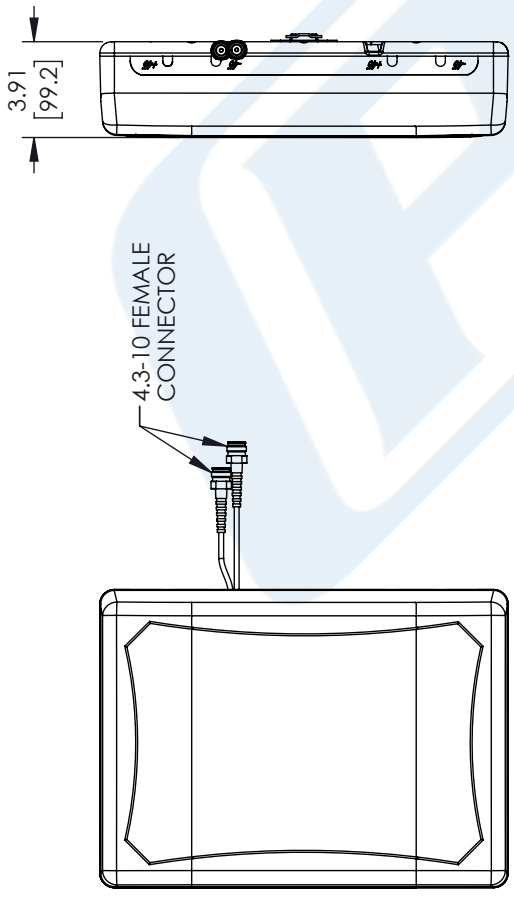
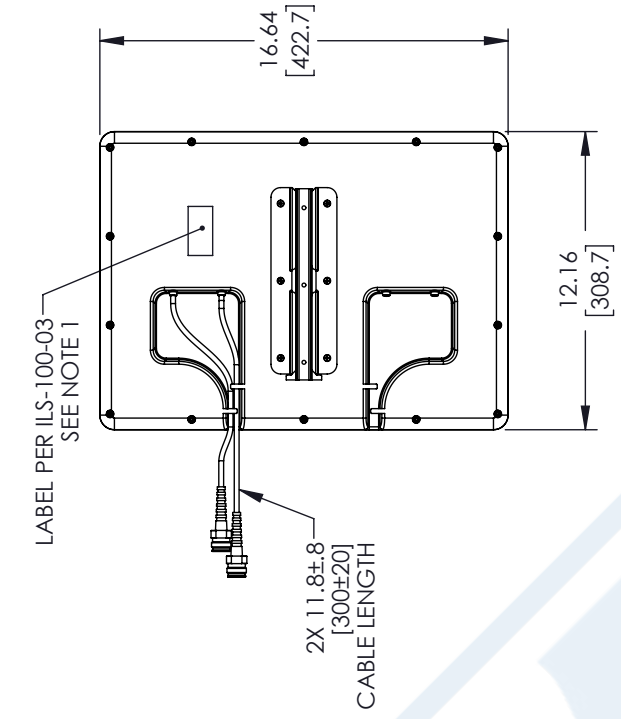
URL: <https://www.pasternack.com/617-mhz-6000-mhz-indoor-5g-mimo-panel-antenna-5.5-7-dbi-low-pim-plus-45-pol-2-x-4.3-10-female-connector-hg65807xpr-4310f-p.aspx>

The information contained in this document is accurate to the best of our knowledge and representative of the part described herein. It may be necessary to make modifications to the part and/or the documentation of the part, in order to implement improvements. Pasternack reserves the right to make such changes as required. Unless otherwise stated, all specifications are nominal. Pasternack does not make any representation or warranty regarding the suitability of the part described herein for any particular purpose, and Pasternack does not assume any liability arising out of the use of any part or documentation.

PE51FP1015 CAD Drawing

617-960 MHz / 1710-2700 MHz / 3300-4200 MHz / 4900-6000 MHz Low PIM
 Rated X-pol 5.5 dBi Panel Antenna, Wall Mount, 2x4.3-10 Female Connector

REVISIONS			
REV.	DESCRIPTION	DATE	APPROVED
A	INITIAL RELEASE	04/19/2021	KHIETPAS



SLIDE BRACKET

NOTES:

- LABEL PER ILS-100-03 (FOR INTERNAL REFERENCE ONLY)
 LABEL LOCATION FOR REFERENCE ONLY.

UNLESS OTHERWISE SPECIFIED LEADING DIMENSIONS ARE INCHES DIMENSIONS IN [] ARE MILLIMETERS

TOLERANCES:

.X = ±.2 [5.08] FRACTIONS
 .XX = ±.02 [.51] ±.1/32
 .XXX = ±.005 [.13] ANGLES ± 1°

CABLE LENGTH (L), TOLERANCES:
 L ≤ 12 [305] = +1 [25] / -0
 12 [305] < L ≤ 60 [1524] = +2 [51] / -0
 60 [1524] < L ≤ 120 [3048] = +4 [102] / -0
 120 [3048] < L ≤ 300 [7620] = +6 [152] / -0
 300 [7620] < L = +5% / -0

ALL DIMENSIONS SHOWN ARE FOR REFERENCE ONLY.

PE PASTERNAK
 an INFINITI® brand

Pasternack Enterprises, Inc.
 P. O. Box 16759, Irvine, CA 92623.
 Phone: 1.949.261.1920 | 1.866.727.8376
 Fax: 1.949.261.7451
 Website: www.pasternack.com
 E-mail: sales@pasternack.com

THIRD-ANGLE PROJECTION

THE INFORMATION AND DESIGN IN THIS DOCUMENT IS THE PROPERTY OF PASTERNAK CORPORATION ALL RIGHTS RESERVED.

SHEET 1 OF 1

SCALE N/A

REV A

ITEM NO. PE51FP1015

DRAWN BY DZINN

CAGE CODE 53919

THESE COMMODITIES, TECHNOLOGY OR SOFTWARE WERE EXPORTED FROM THE UNITED STATES IN ACCORDANCE WITH THE EXPORT ADMINISTRATION REGULATIONS. DIVERSION CONTRARY TO U.S. LAW PROHIBITED.