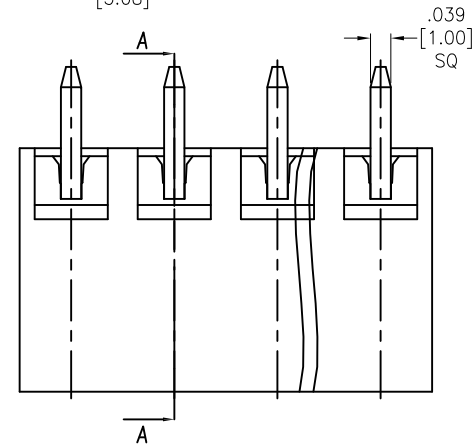
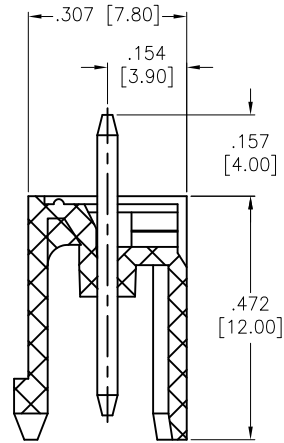
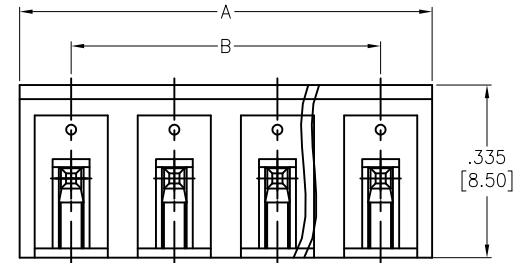
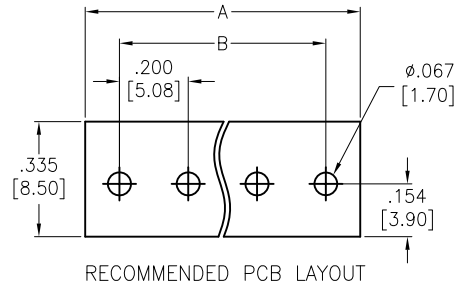


APPROVED: _____
 DATE: _____ TITLE: _____

Rev	AWO #	Description	Date	Appr
-		RELEASED	10/16/13	
A		UPDATE DRAWING	10/26/18	AY/KC
B		UPDATE SPEC.	9/9/20	OW/EY



Positions: 02 thru 24
 A = .200 [5.08] x No. of Positions
 B = .200 [5.08] x No. of Spaces

SPECIFICATIONS:

Material:
 Insulator: PA66, rated UL 94V-0
 Insulator color: Green
 Contact: Copper Alloy, Tin plated.
 Electrical:
 Voltage rated: 300 V
 Current rated: 15 A
 Dielectric withstanding voltage: 1600V for 1 minute
 Temperature Rating:
 Operating temperature: -40°C to +105°C
 Environmental:
 Lead free, RoHS compliant.



UNLESS OTHERWISE SPECIFIED ALL DIMENSIONS ARE MM [INCHES] TOLERANCES: EXCEPT AS NOTED			
INCHES		HOLES	
.X ± .10	Ø.X ± .10		
.XX ± .020	Ø.XX ± .015		
.XXX ± .015	Ø.XXX ± .010		
APPROVALS		DATE	
DRAWN	AY	10/16/13	
CHECKED	NP	10/16/13	
APPROVED			

ADAM TECH
INTERCONNECTS
 909 Rahway Avenue,
 Union, NJ 07083
 Phone: 908-687-5000
 Fax: 908-687-5710

TITLE
**TERMINAL BLOCK, SOCKETS .200 [5.08] PITCH
 VERTICAL**

SIZE X	PART NO. EBPA-XX-D	REV. B
REF: S00067C	SCALE: NTS	SHEET 1 OF 1