

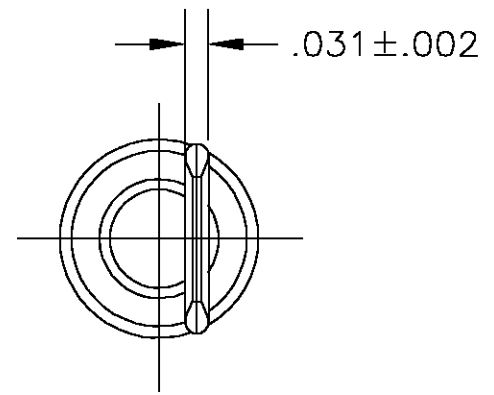
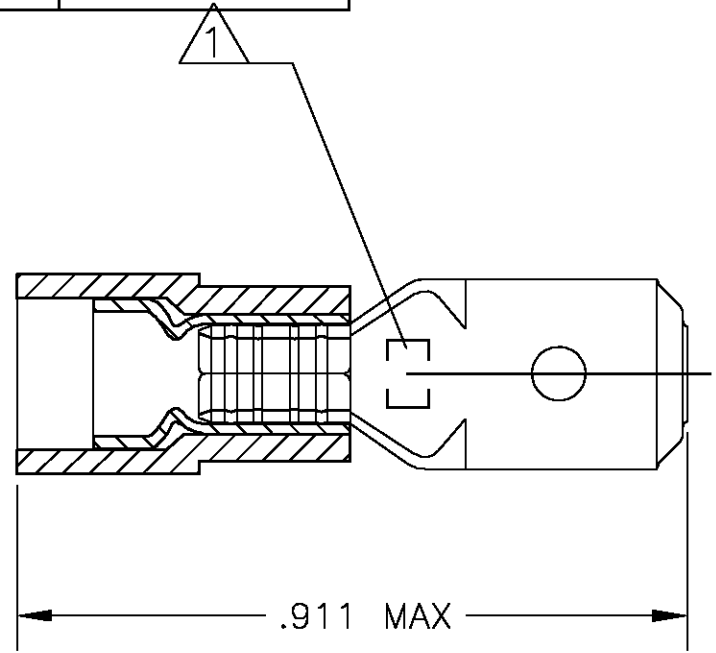


THIS DRAWING IS UNPUBLISHED. RELEASED FOR PUBLICATION
 © COPYRIGHT BY TYCO ELECTRONICS CORPORATION. ALL RIGHTS RESERVED.

LOC	DIST	REVISIONS			
P	LTR	DESCRIPTION	DATE	DWN	APVD
G	86	C1	REV PER ECR 05-001779	26APR05	JR TM

AMP WIRE RANGE	 FILE E66717	 LR7189 Certified
16-14 AWG STRANDED	16-14 AWG STRANDED	16-14 AWG STRANDED

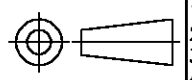


- ① MARKED AMP 16-14
- 2 DESIGNED FOR WIRE INSULATION DIA OF .115-.160.
- ③ BODY: .016±.001 THK BRASS, TIN PL. SLEEVE: NYLON, BLUE
- 4 RATED FOR 15 MAX AMPERE

100	LOOSE PIECE	8-696369-1
1000	LOOSE PIECE	696369-1
QTY	PACKAGE TYPE	PART NO.

TYCO ELECTRONICS CUSTOMER SERVICE SYSTEM	
FOR ADDITIONAL PRODUCT INFORMATION OR COPIES OF DRAWING AND TECHNICAL DOCUMENTS	PRODUCT INFORMATION CENTER 1-800-522-6752
FOR APPLICATION TOOLING INFORMATION	TOOLING ASSISTANCE CENTER 1-800-722-1111
FOR ORDER ENTRY	1-800-526-5142

MAX RECOMMENDED OPERATING TEMPERATURE: 105°C [221°F]
VOLTAGE RATING: 300V MAX
CIRCULAR MIL AREA: 2,050-5,180 STRANDED

THIS DRAWING IS A CONTROLLED DOCUMENT.	
DIMENSIONS: INCHES	TOLERANCES UNLESS OTHERWISE SPECIFIED:
	0 PLC ± - 1 PLC ± - 2 PLC ± - 3 PLC ± .008 4 PLC ± - ANGLES ± -
MATERIAL - ③	FINISH - ③

DWN JR RUTH 06DEC01	Tyco Electronics Corporation Harrisburg, Pa 17105-3608		
CHK T MICHIELUTTI 06DEC01	NAME TAB, 250 SERIES, FASTON, PIDG, WIRE: 16-14 AWG		
APVD T MICHIELUTTI 06DEC01	SIZE A3	CAGE CODE 00779	DRAWING NO C-696369
PRODUCT SPEC -	RESTRICTED TO -		
APPLICATION SPEC 114-13076	SCALE 1:1 SHEET 1 OF 1 REV C1		
WEIGHT -	CUSTOMER DRAWING		