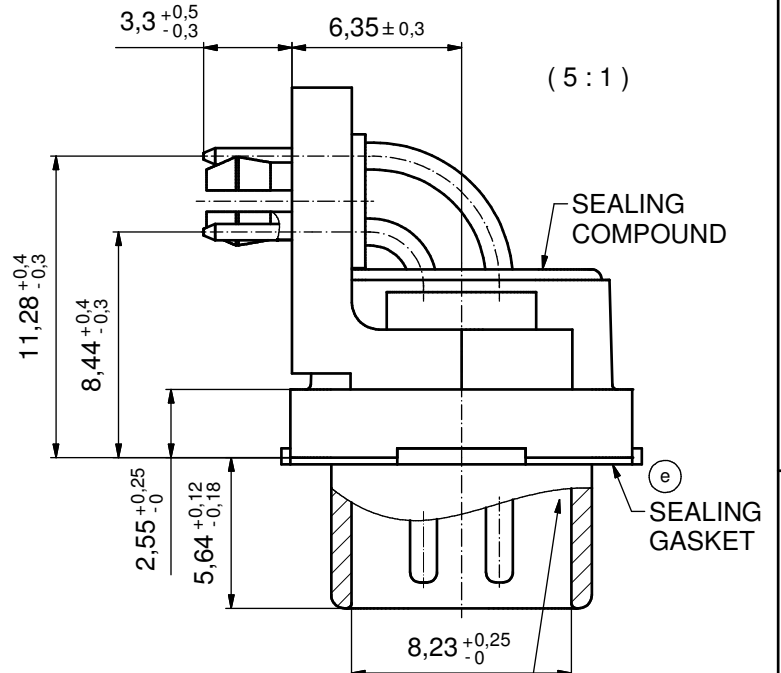
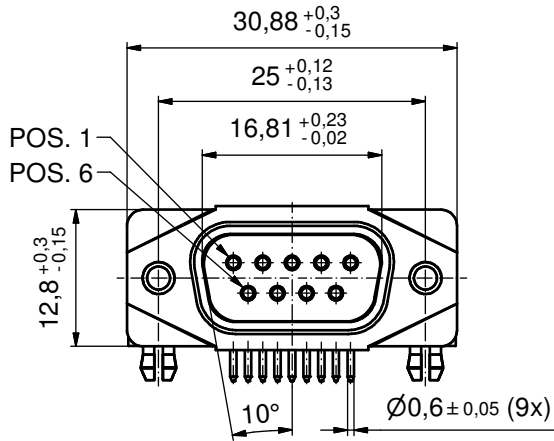
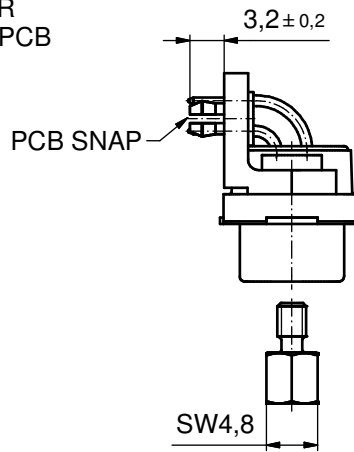
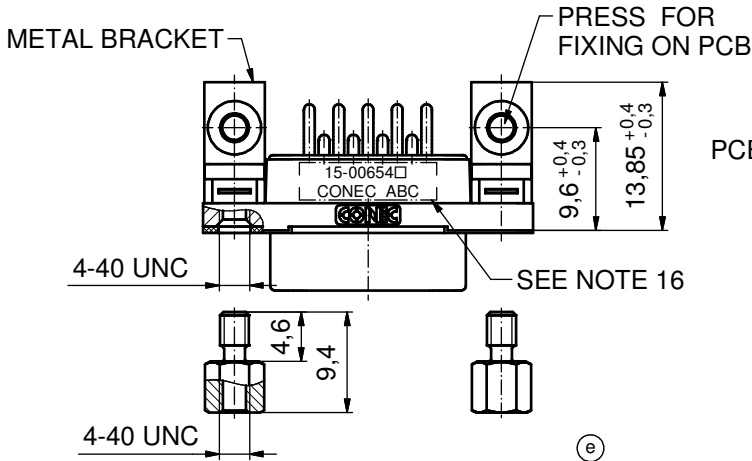


AT ALL TIMES WATER RESISTANT CONNECTORS NOT IN USE SHOULD BE COVERED WITH A CONEC WATER RESISTANT CAP OR WATER TIGHT HOOD.



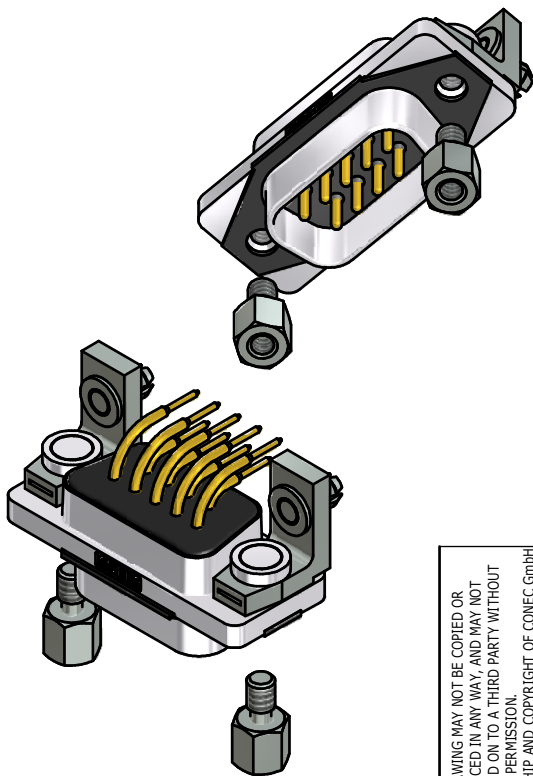
RUBBER GASKET PLACED ON TOP SURFACE OF MALE INSULATOR



(e)

NOTES:

- FOR WAVESOLDERING (SOLDER BATH TEMPERATURE 265°C FOR 8 SEC. AND SOLDER PREHEAT 150°C FOR 180 SEC.)
- IP RATING: IP 67
- SEALED TO WITHSTAND PRESSURE UP TO 1,45 PSI FOR 30 MINUTES AFTER HIGH TEMPERATURE EXPOSURE
- METALSHELL: ZINC DIE CAST; min. 50µm NICKEL PLATING over COPPER
- INSULATORS: PBT GF UL 94 V-0
- SEALING GASKET: SILICONE
- RUBBER GASKET: TPE
- SEALING COMPOUND: EPOXY RESIN UL 94 V-0
- CONTACTS: COPPER ALLOY
PLATING (SEE PART NO.): □ PLEASE ADD 1 for 30µm HARD GOLD over min. 50µm NICKEL
□ PLEASE ADD 3 for GOLD FLASH over NICKEL
- METAL BRACKETS: ZINC DIE CAST; 300µm COPPER/40-120µm NICKEL/120-200µm TIN
- WASHERS: COPPER ALLOY; 80µm NICKEL
- HEXLOCKING SCREWS: STAINLESS STEEL
- PCB-SNAPS: COPPER ALLOY; min. 200µm TIN over 80µm NICKEL
PCB-HOLE: $\phi 3,1 \pm 0,1$ mm; PCB THICKNESS 1,6mm
- P.C.B. HOLE DRILLINGS and RECOMMENDED PANEL CUT-OUT ON SHEET 2
- RECOMMENDED TORQUE FOR MOUNTING SCREW 35Ncm (3.1 in.LB) / max. 67Ncm (6 in.LB)
- CONNECTOR IS PART MARKED: 15-00654 □ CONEC ABC (see note 9)

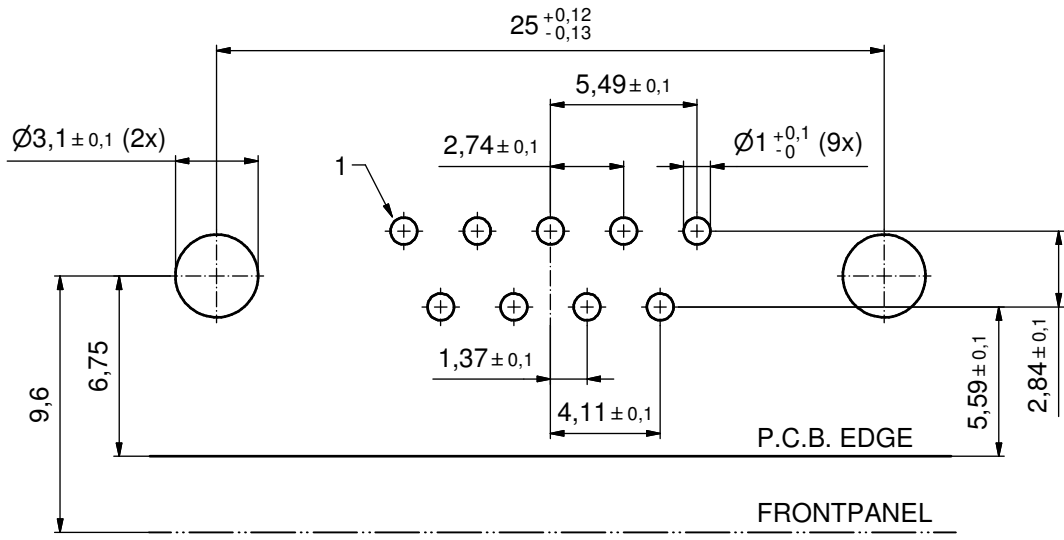


RoHS compliant

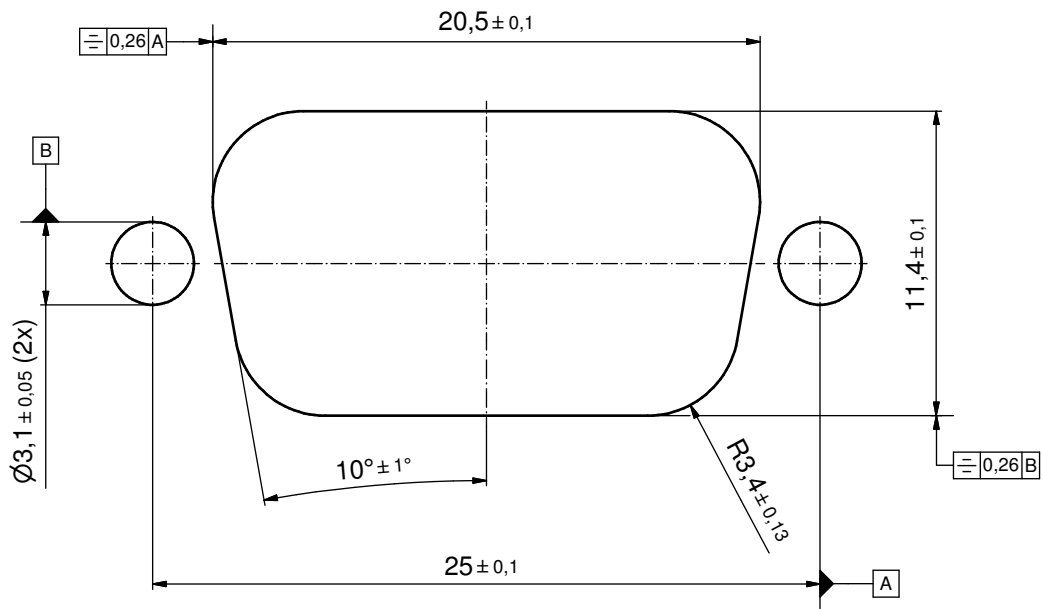
THIS DRAWING MAY NOT BE COPIED OR REPRODUCED IN ANY WAY, AND MAY NOT BE PASSED ON TO A THIRD PARTY WITHOUT WRITTEN PERMISSION. OWNERSHIP AND COPYRIGHT OF CONEC GmbH				tolerance		scale: 2:1 (5:1)	
				dim. in mm		material: SEE NOTES	
DO NOT ALTER CAD DRAWING BY HAND				date	name	title: D-SUB MALE 90° 9pos. SOLDER PIN ANGLED with closed 4-40 UNC thread, metal bracket, snap	
				drawn	15.09.14		
2 x e	Ä6417	28.02.17	Lehm.	appd.	26.01.15	Fischer	dwg no: 15K1A1551
2 x d	Ä5827	25.09.15	Unkrüter	norm			
2 x c	Ä5800	04.09.15	M.H.	d-old			DIN-A3 sh: 1
3 x b	Ä5786	28.08.15	HS				
a	Original						part no: 15-00654 □ (see note 9)
rev.	description	date	name	CONEC			

P.C.B. HOLE DRILLINGS

(P.C.B. TOP SIDE)



RECOMMENDED PANEL CUT-OUT



THIS DRAWING MAY NOT BE COPIED OR REPRODUCED IN ANY WAY, AND MAY NOT BE PASSED ON TO A THIRD PARTY WITHOUT WRITTEN PERMISSION. OWNERSHIP AND COPYRIGHT OF CONEC GmbH DO NOT ALTER CAD DRAWING BY HAND			tolerance		scale:	5:1	
			dim. in mm		material:	SEE SHEET 1	
	drawn	15.09.14	Lehmenkühler	title:			P.C.B. HOLE DRILLINGS RECOMMENDED PANEL CUT-OUT D-SUB Male 90° 9pos. Solder pin angled
	appd.	26.09.15	Fischer	dwg no:		DIN-A3	
	norm			15K1A1551		sh: 2	
rev.	a	Original	CONEC [®]		part no: SEE SHEET 1		
description							