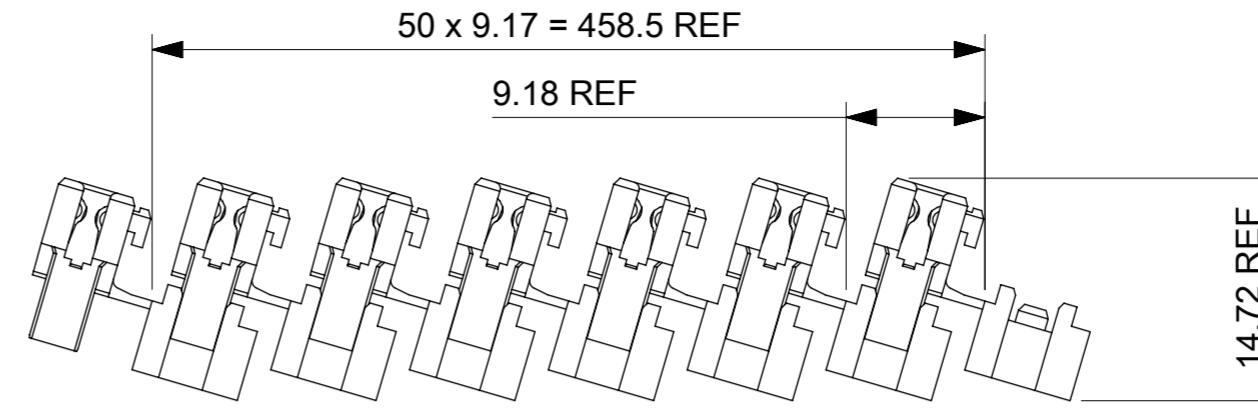
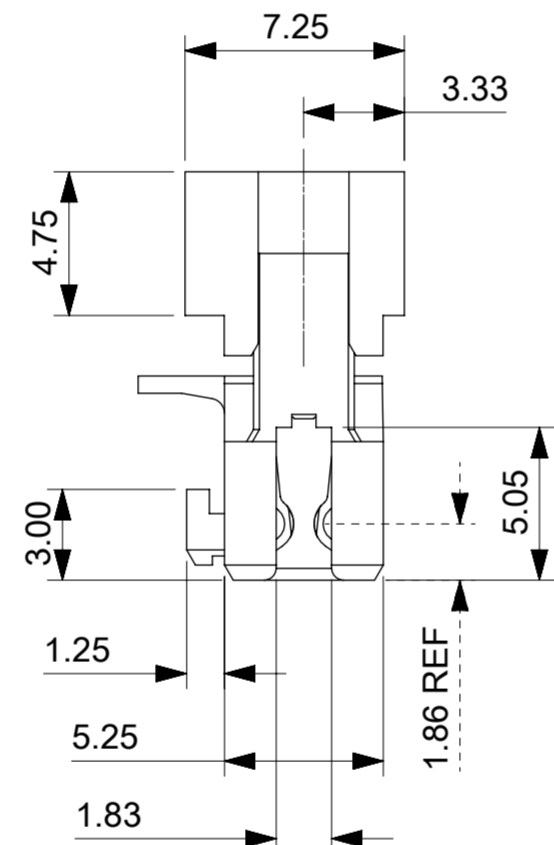
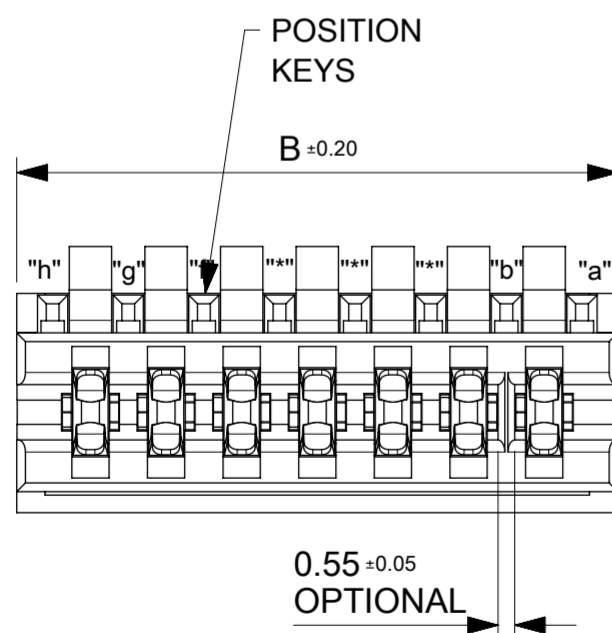
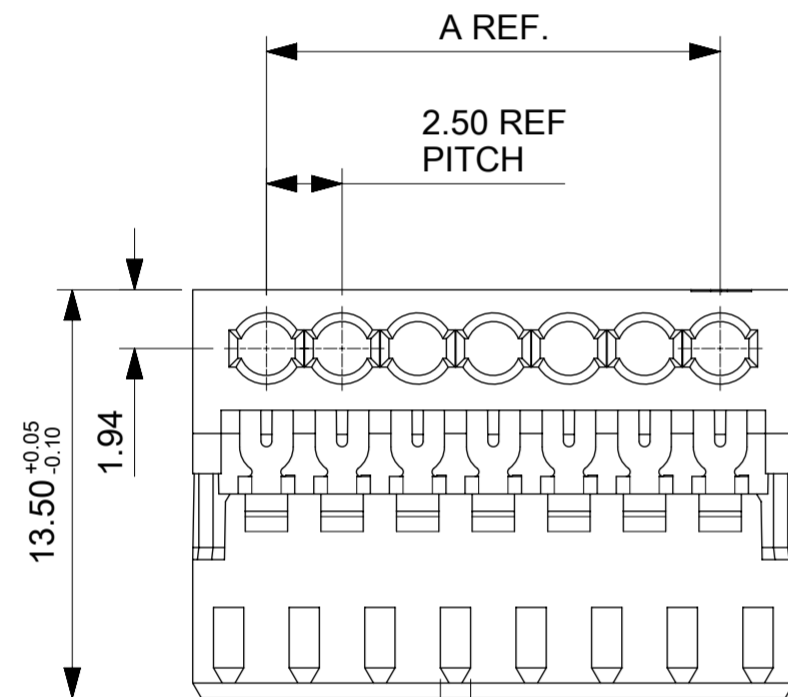
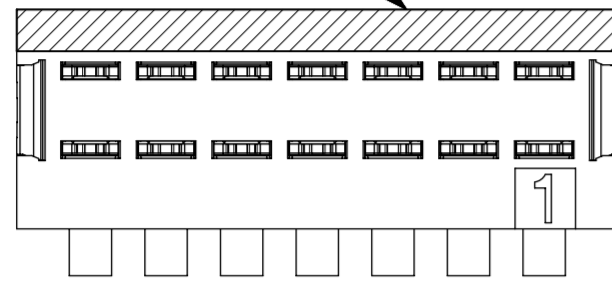
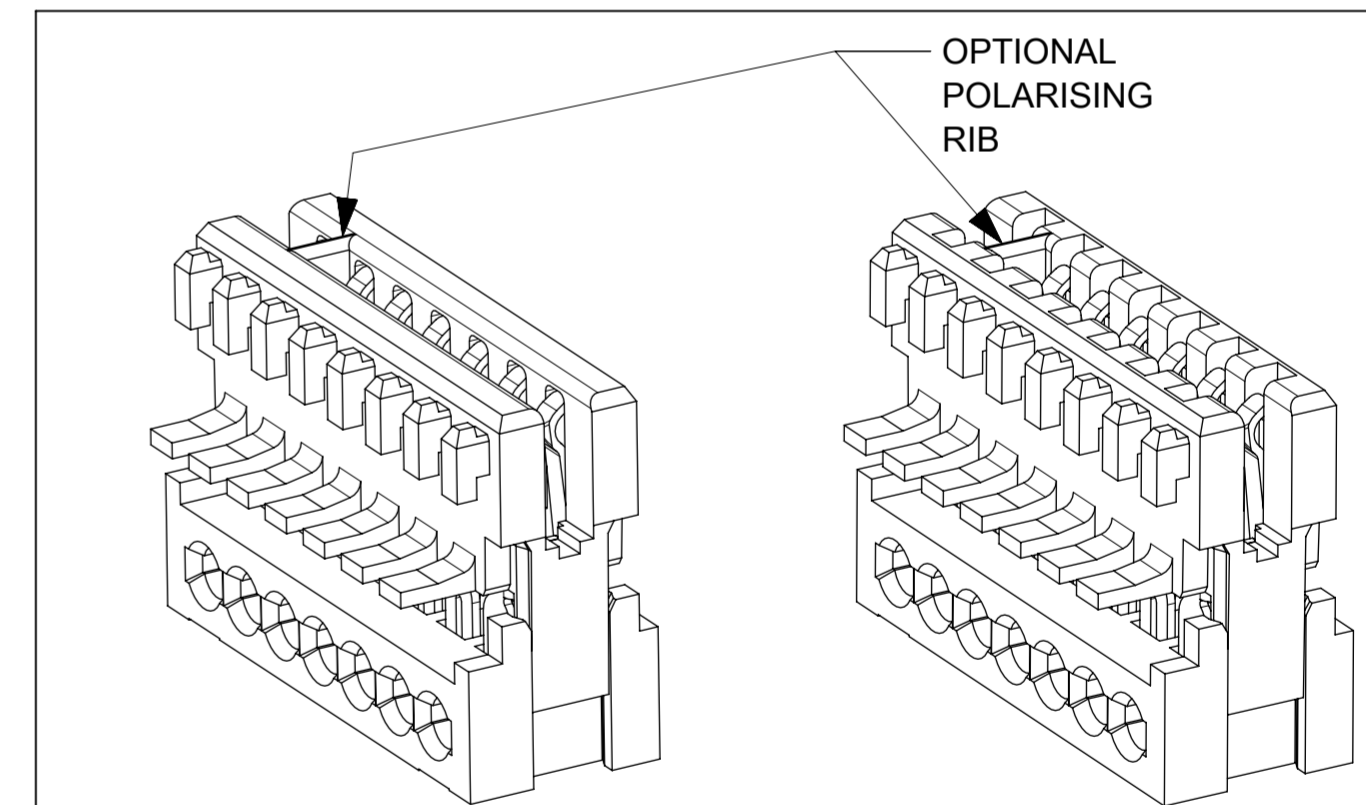


POSITION OF COLOUR STRIPE (see note 3)



SHIPPING ARRANGEMENT

CCT	A	B
2	2.5	7.375
3	5	9.875
4	7.5	12.375
5	10	14.875
6	12.5	17.375
7	15	19.875
8	17.5	22.375
9	20	24.875
10	22.5	27.375
11	25	29.875
12	27.5	32.375
13	30	34.875
14	32.5	37.375
15	35	39.875
16	37.5	42.375
17	40	44.875
18	42.5	47.375
19	45	49.875
20	47.5	52.375



OPEN END WALLS WITH ZEUS OPTION.

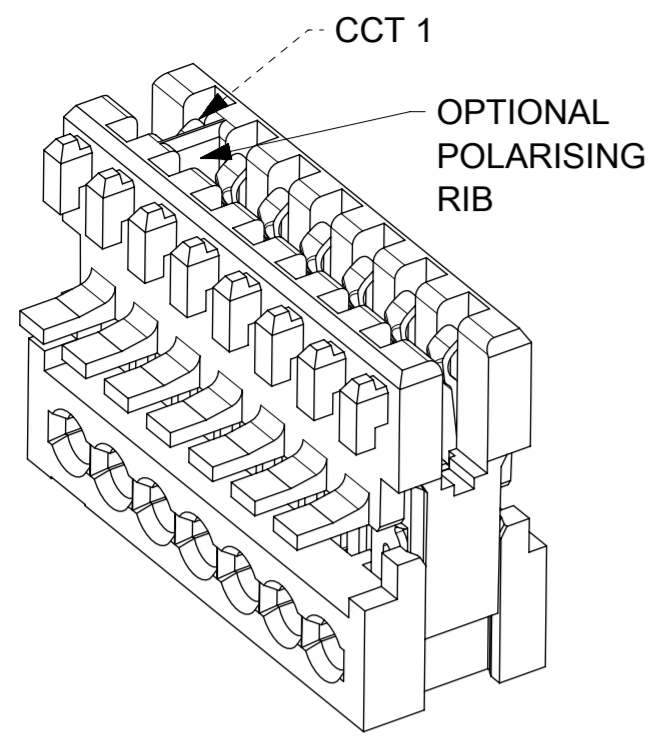
OPEN END WALLS OPTION.

NOTES:

- REFER TO PRODUCT SPECIFICATION: PS-99020-0040.
- MATERIAL: HOUSING -POLYAMIDE 6 (PA6) UL94-V2. COLOUR NATURAL.  
TERMINAL: PHOSPHOR BRONZE 0.30 REF. THICK - PLATING HOT TIN DIP.
- COLOUR STRIPE IS OPTIONAL. AVAILABLE IN THE FOLLOWING COLOURS: RED, GREEN, BLUE, ORANGE, BROWN & YELLOW. (BLACK SIGNIFIES CUSTOMER SPECIFIC CONFIGURATION).
- REFER TO PACKAGING SPEC (PK-90871-001)
- REFER TO APPLICATION SPEC (990330008 AS)

THIS DRAWING CONTAINS INFORMATION THAT IS PROPRIETARY TO MOLEX ELECTRONIC TECHNOLOGIES, LLC AND SHOULD NOT BE USED WITHOUT WRITTEN PERMISSION

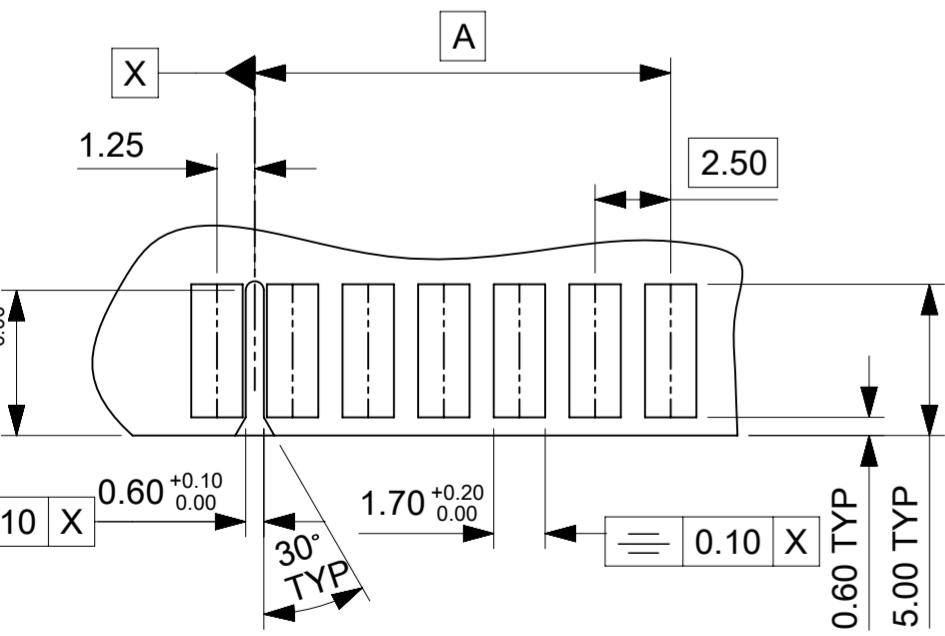
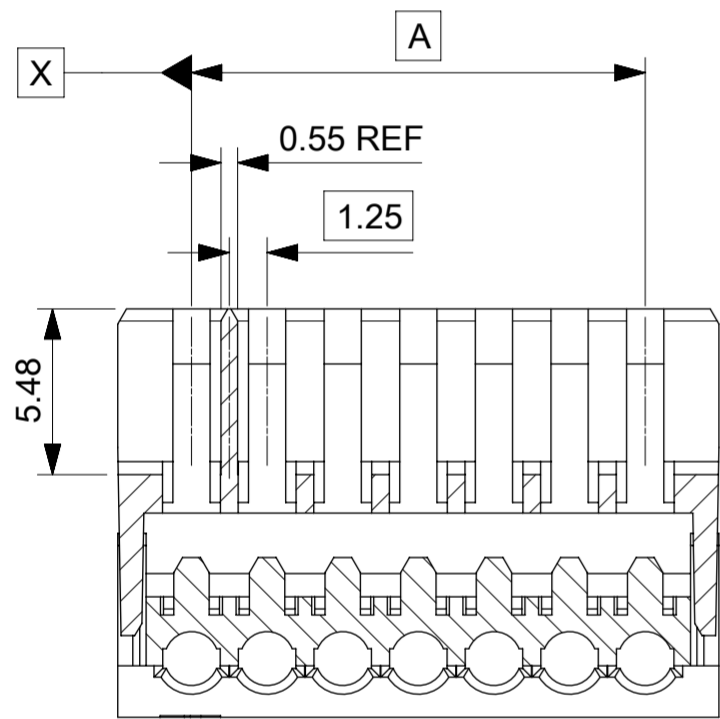
DIMENSION UNITS	SCALE	CURRENT REV DESC:	molex			
mm	4:1		APPLI-MATE 2.5 FEMALE G.W.T. 750 AND 850 VERSION GF MATERIAL			
GENERAL TOLERANCES (UNLESS SPECIFIED)			PRODUCT CUSTOMER DRAWING			
ANGULAR TOL	± 0.5°	EC NO: 675456	DOCUMENT NUMBER	DOC TYPE	DOC PART	REVISION
4 PLACES	±	DRWN: MBN02 2021/08/26	934660001	PSD	000	AG1
3 PLACES	± 0.05	CHK'D: MBN02 2021/08/26				
2 PLACES	± 0.1	APPR: SDEVITT 2021/09/28	MATERIAL NUMBER CUSTOMER SHEET NUMBER			
1 PLACE	± 0.2	INITIAL REVISION: DRWN: CFISHER01 2016/01/11	SEE TABLE	GENERAL MARKET	1 OF 11	
0 PLACES	±	APPR: MSHANAHAN 2016/02/09				
DRAFT WHERE APPLICABLE MUST REMAIN WITHIN DIMENSIONS		THIRD ANGLE PROJECTION	DRAWING	SERIES		
			A2-SIZE	93466		



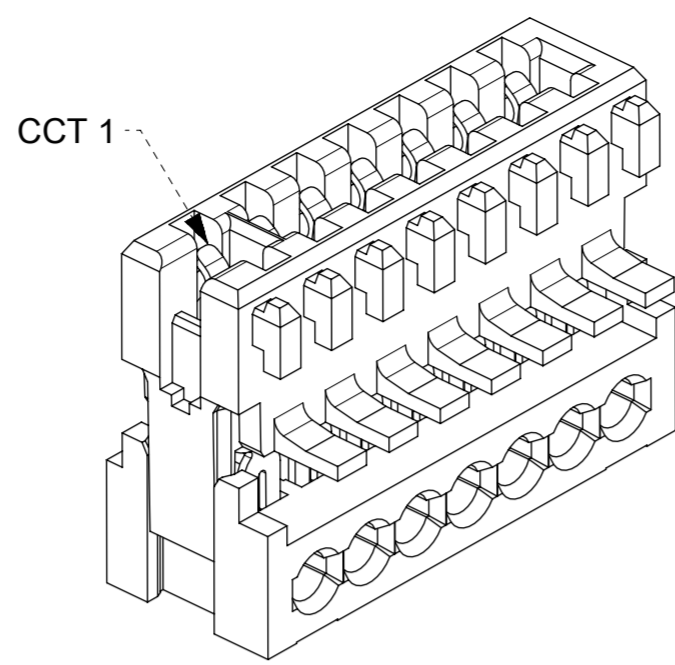
OPTIONAL  
POLARISING  
RIB

OPEN END WALL OPTION

FIRST END WALL	LAST END WALL
OPEN	OPEN



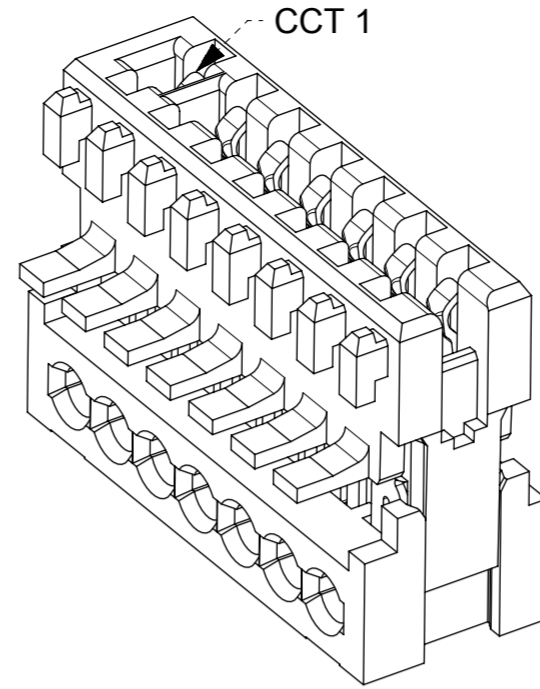
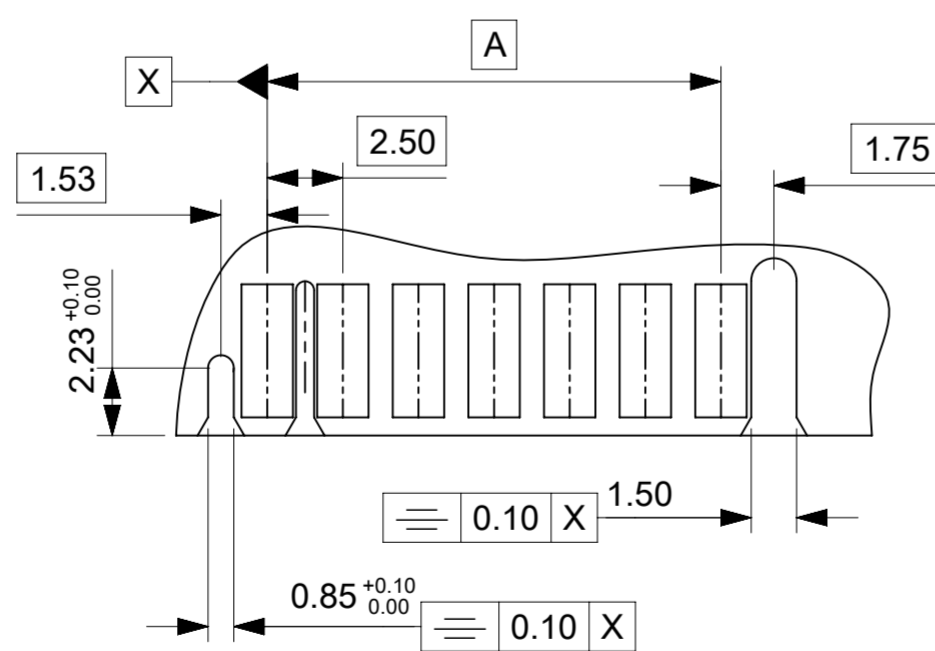
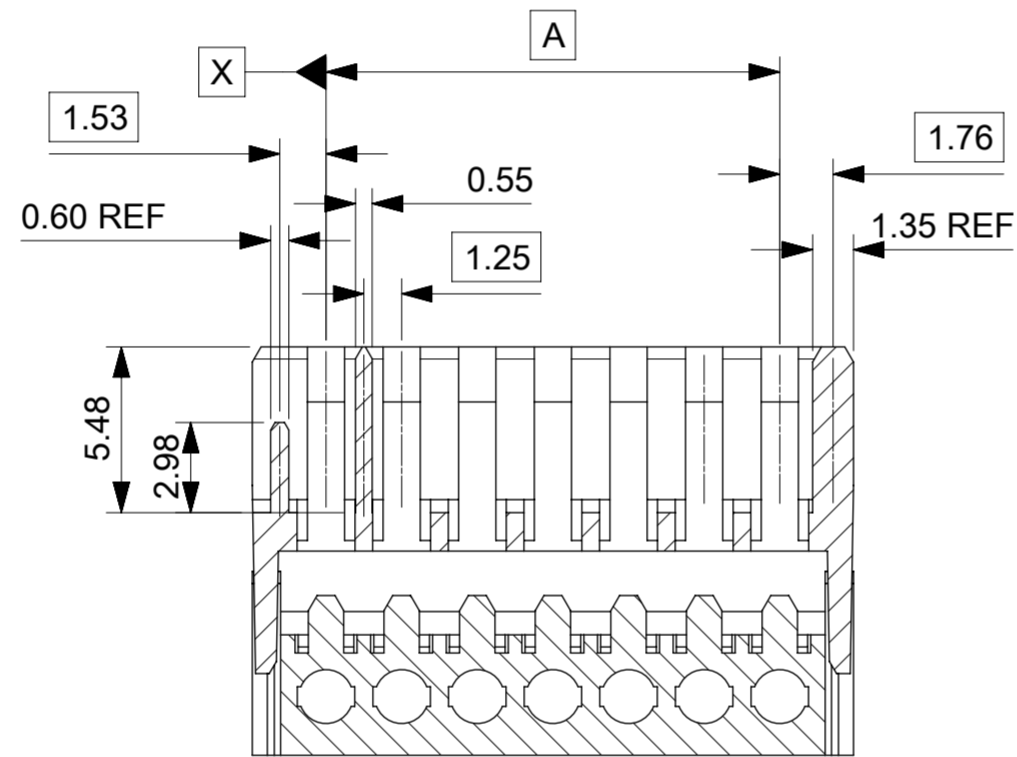
- PCB LAYOUT CCTCONNECTOR  
(WITH OPTIONAL POSITIONAL RIB SLOT BETWEEN  
CCT 1 & 2)  
- RECOMMENDED PCB THICKNESS 1.5 ± 0.14



CCT 1

END WALL OPTION A

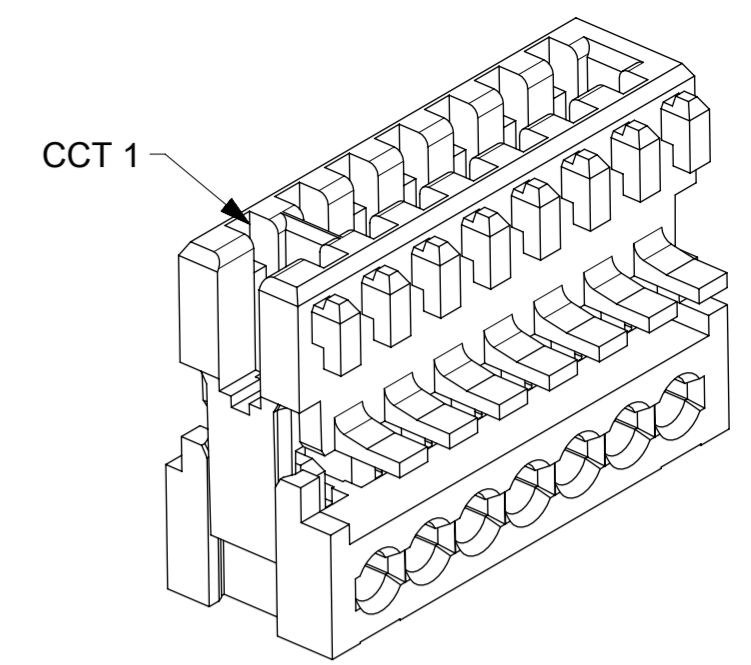
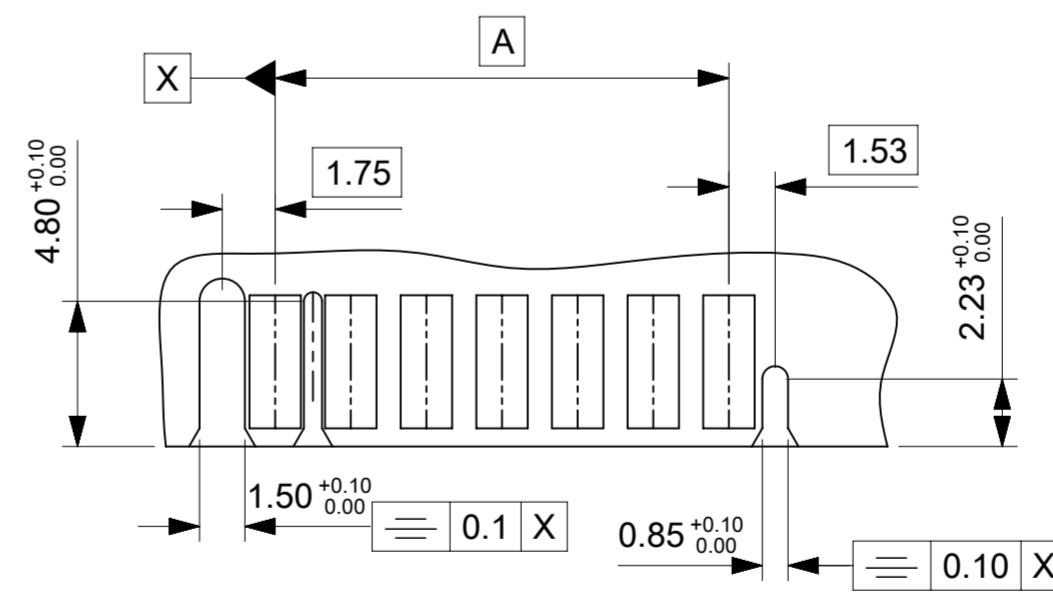
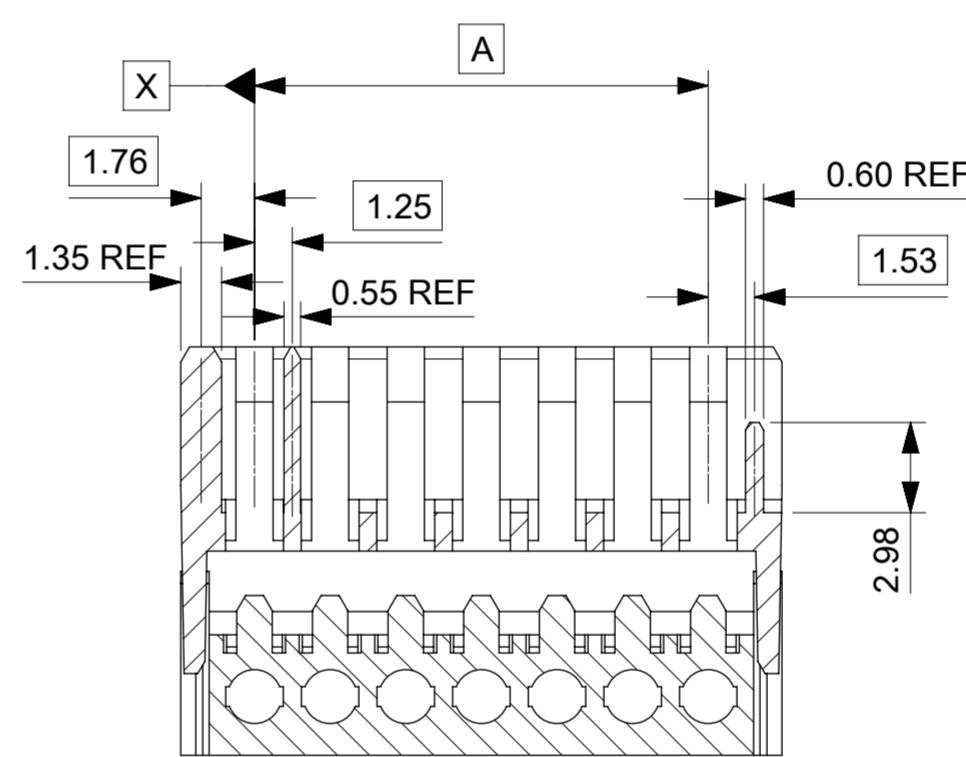
FIRST END WALL	LAST END WALL
HALF	CLOSED



CCT 1

END WALL OPTION B

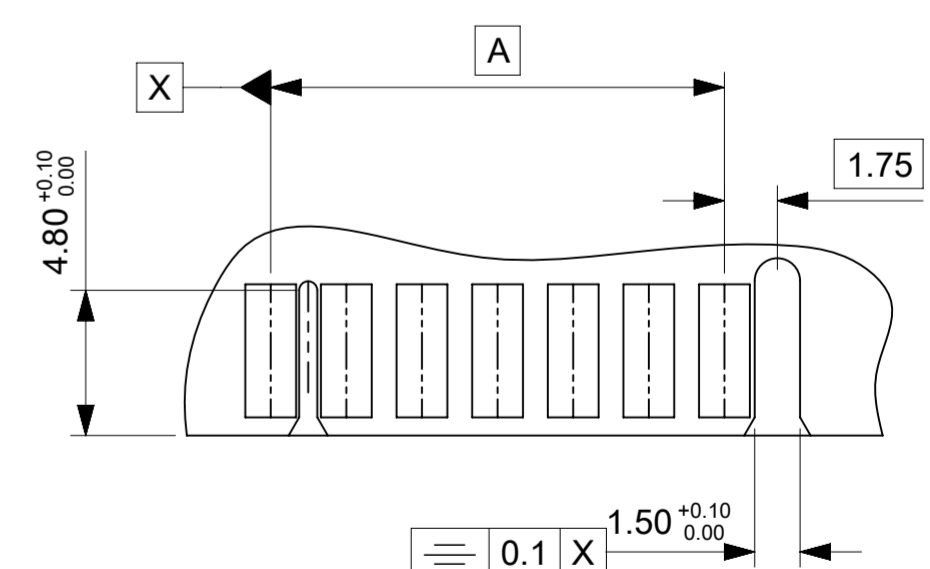
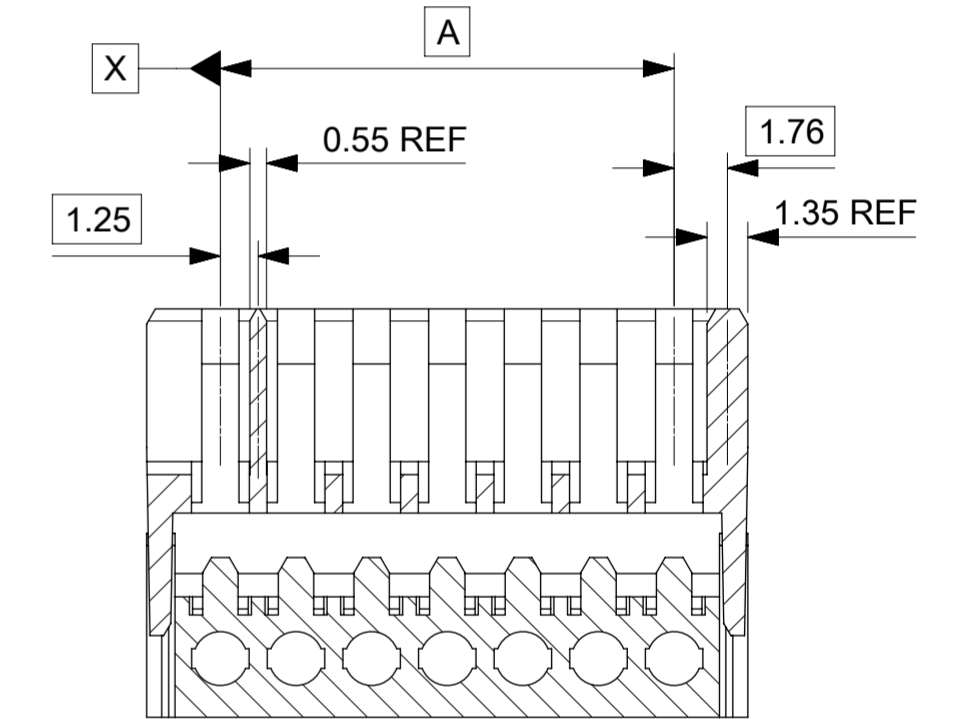
FIRST END WALL	LAST END WALL
CLOSED	HALF



CCT 1

END WALL OPTION C

FIRST END WALL	LAST END WALL
OPEN	CLOSED



THIS DRAWING CONTAINS INFORMATION THAT IS PROPRIETARY TO MOLEX ELECTRONIC TECHNOLOGIES, LLC AND SHOULD NOT BE USED WITHOUT WRITTEN PERMISSION

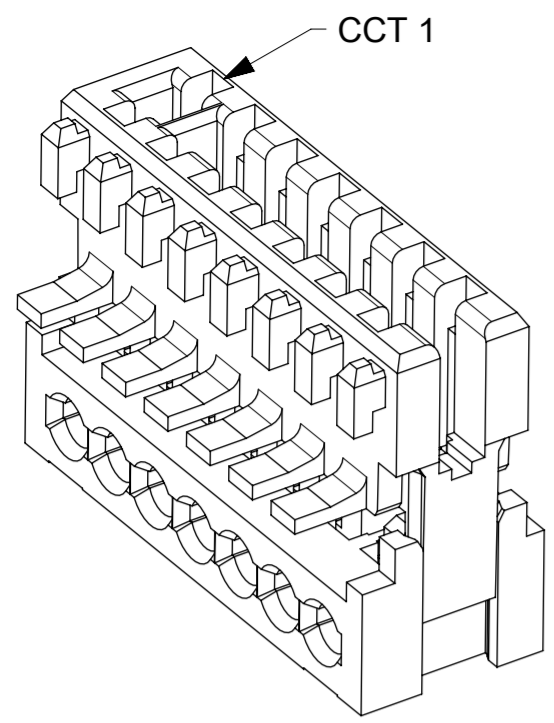
DIMENSION UNITS	SCALE	CURRENT REV DESC:	
mm	4:1		
GENERAL TOLERANCES (UNLESS SPECIFIED)			
ANGULAR TOL	± 0.5°	EC NO: 675456	
4 PLACES	±	DRWN: MBN02	2021/08/26
3 PLACES	± 0.05	CHK'D: MBN02	2021/08/26
2 PLACES	± 0.1	APPR: SDEVITT	2021/09/28
1 PLACE	± 0.2	INITIAL REVISION:	
0 PLACES	±	DRWN: CFISHER01	2016/01/11
DRAFT WHERE APPLICABLE		APPR: MSHANAHAN	2016/02/09
MUST REMAIN WITHIN DIMENSIONS		THIRD ANGLE PROJECTION	DRAWING
		A2-SIZE	SERIES
		93466	93466
DOCUMENT STATUS		MATERIAL NUMBER	CUSTOMER
P1	RELEASE DATE	SEE TABLE	GENERAL MARKET
2021/09/28	05:26:26	SHEET NUMBER	
		2 OF 11	

**molex**

APPLI-MATE 2.5 FEMALE  
G.W.T. 750 AND 850 VERSION GF MATERIAL

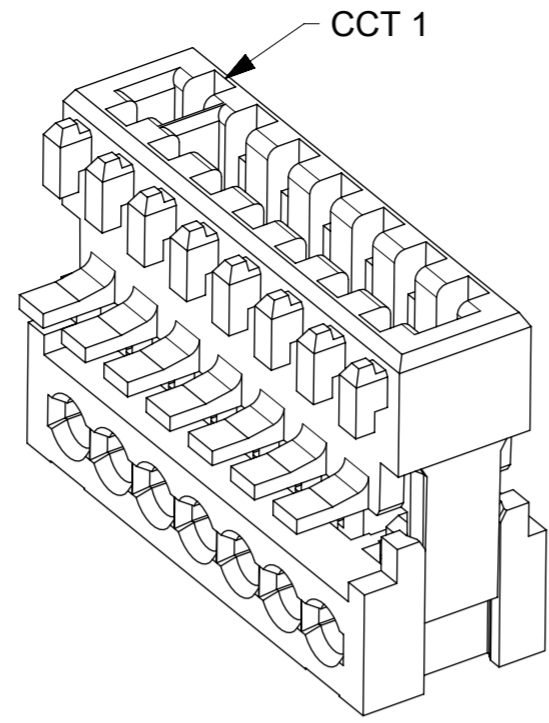
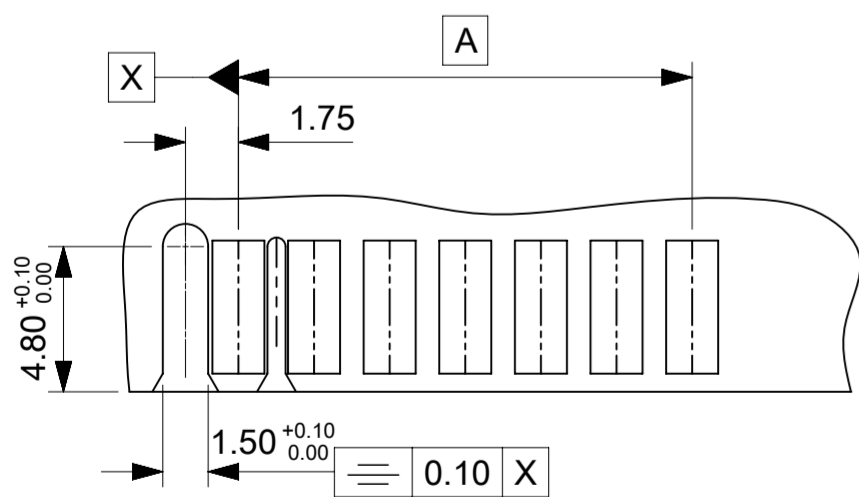
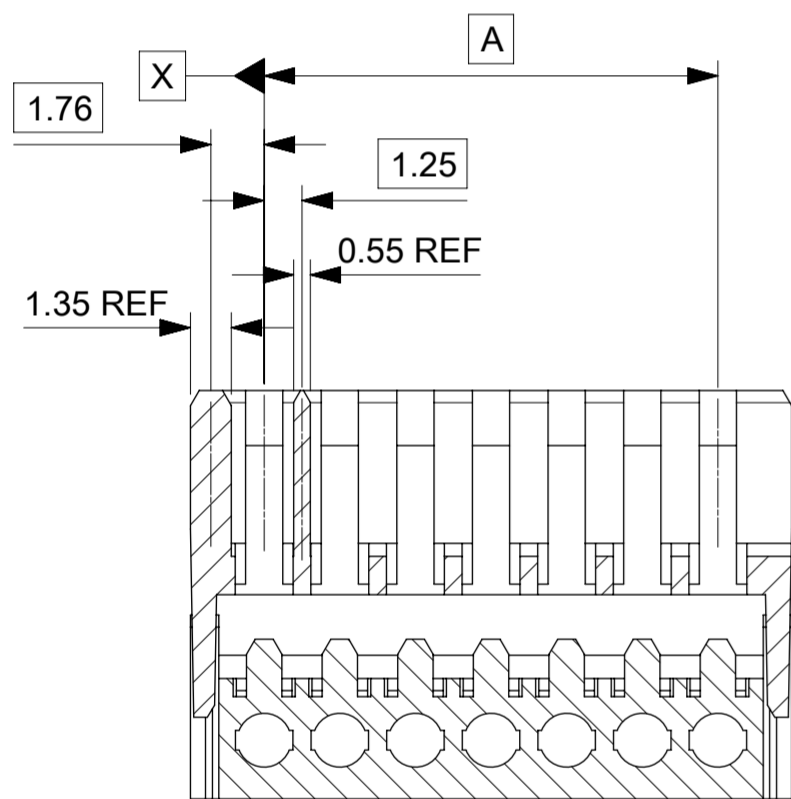
PRODUCT CUSTOMER DRAWING

DOCUMENT NUMBER	DOC TYPE	DOC PART	REVISION
934660001	PSD	000	AG1



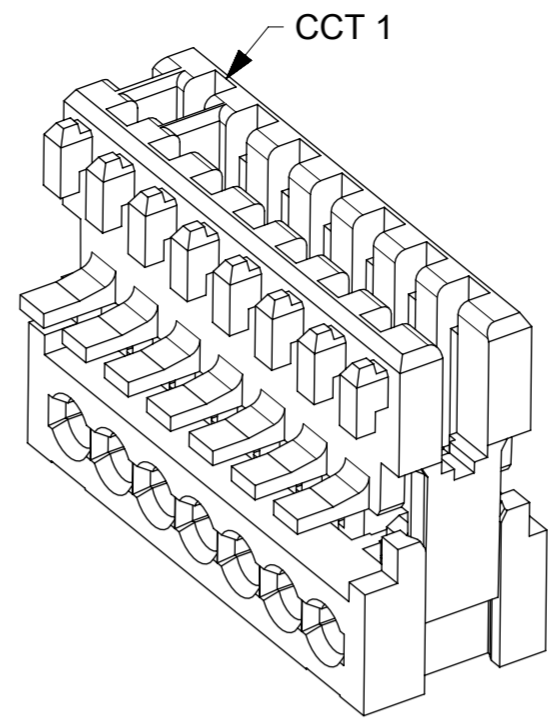
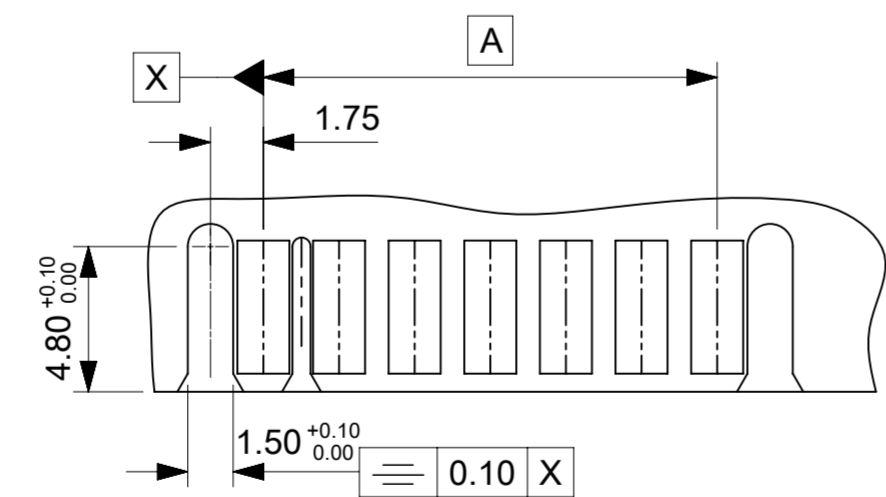
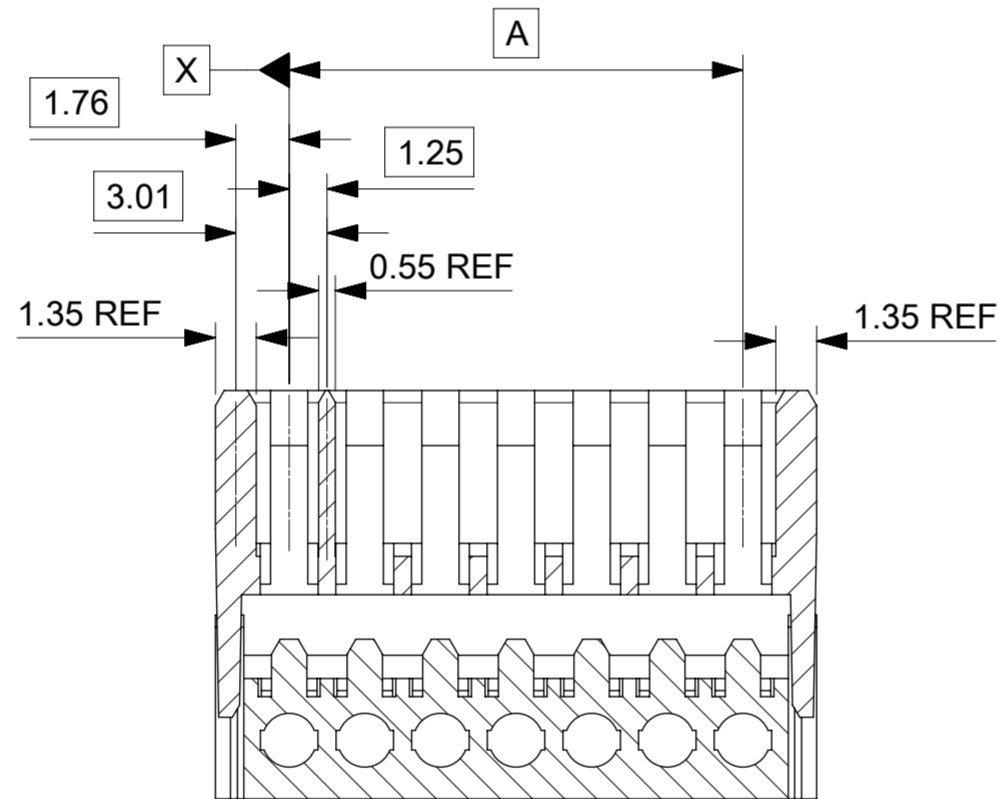
END WALL OPTION D

FIRST END WALL	LAST END WALL
CLOSED	OPEN



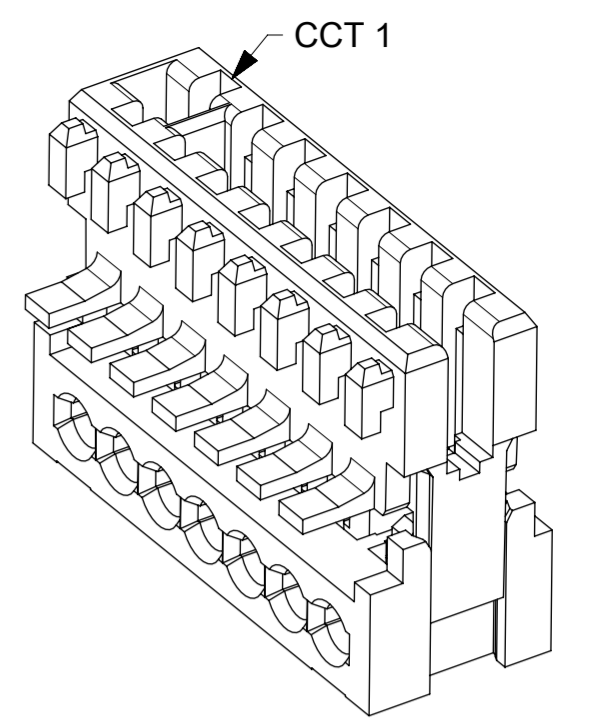
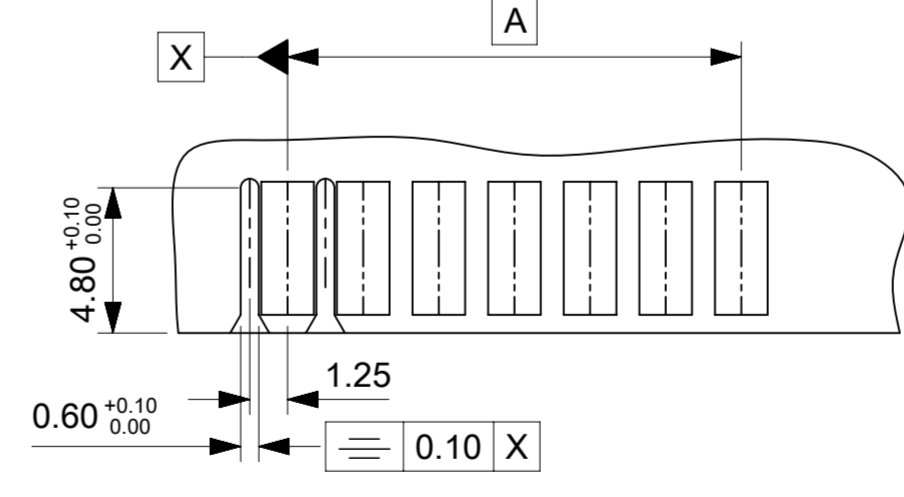
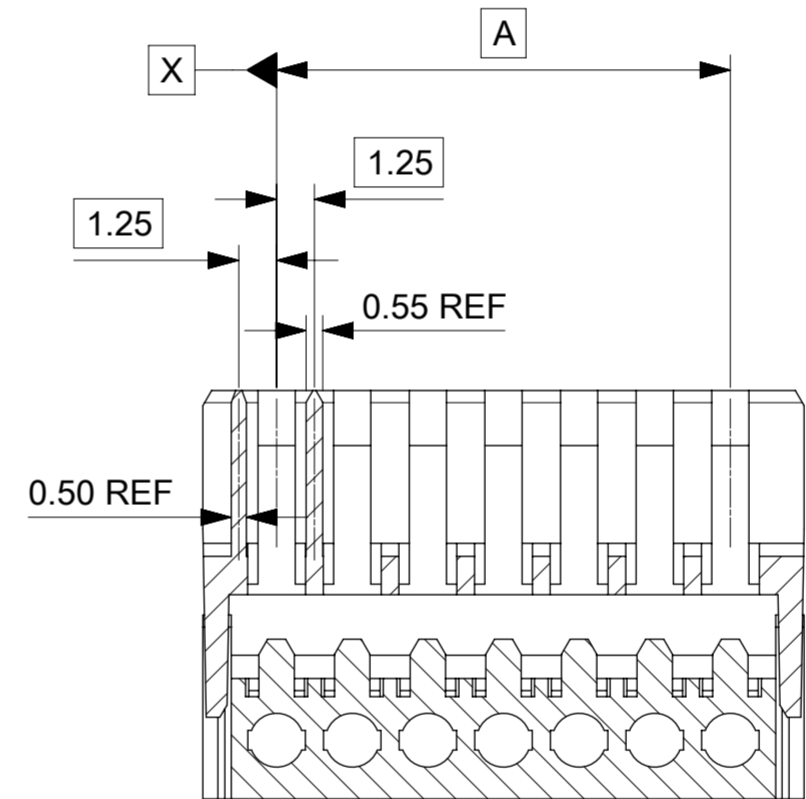
END WALL OPTION E

FIRST END WALL	LAST END WALL
CLOSED	CLOSED



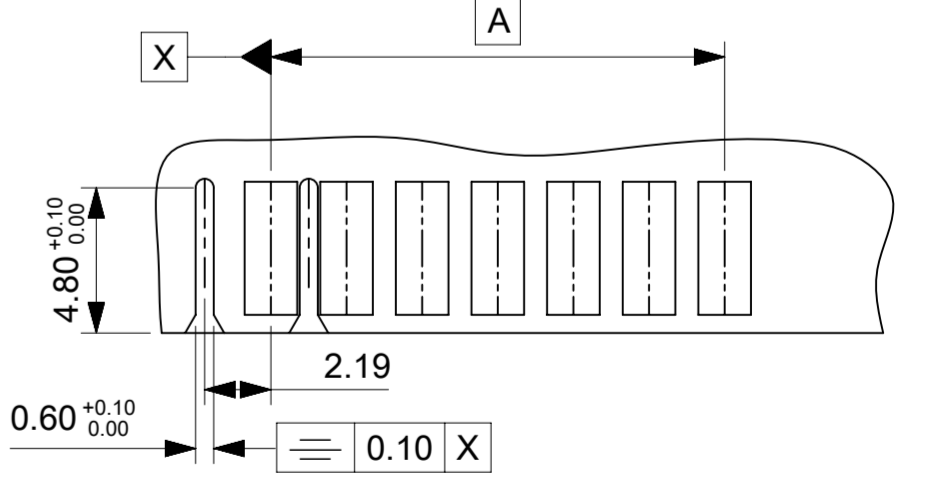
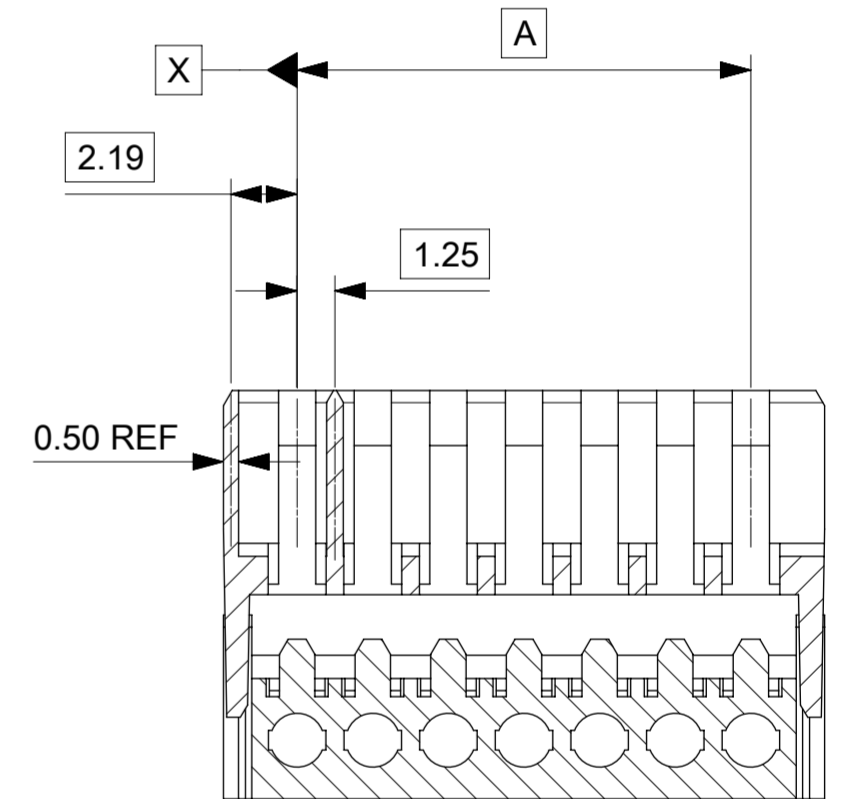
END WALL OPTION F

FIRST END WALL	LAST END WALL
NARROW	OPEN



END WALL OPTION G

FIRST END WALL	LAST END WALL
NARROW FLUSH	OPEN



THIS DRAWING CONTAINS INFORMATION THAT IS PROPRIETARY TO MOLEX ELECTRONIC TECHNOLOGIES, LLC AND SHOULD NOT BE USED WITHOUT WRITTEN PERMISSION

DIMENSION UNITS	SCALE	CURRENT REV DESC:	
mm	1:1		
GENERAL TOLERANCES (UNLESS SPECIFIED)			
ANGULAR TOL	± 0.5°	EC NO: 675456	
4 PLACES	±	DRWN: MBN02	2021/08/26
3 PLACES	± 0.05	CHK'D: MBN02	2021/08/26
2 PLACES	± 0.1	APPR: SDEVITT	2021/09/28
1 PLACE	± 0.2	INITIAL REVISION:	
0 PLACES	±	DRWN: CFISHER01	2016/01/11
		APPR: MSHANAHAN	2016/02/09
DRAFT WHERE APPLICABLE MUST REMAIN WITHIN DIMENSIONS		THIRD ANGLE PROJECTION	DRAWING
			SERIES
		A2-SIZE	93466
DOCUMENT STATUS		DOCUMENT NUMBER	DOC TYPE   DOC PART   REVISION
P1	RELEASE DATE	934660001	PSD   000   AG1
2021/09/28	05:26:26	MATERIAL NUMBER	CUSTOMER
		SEE TABLE	GENERAL MARKET
		SHEET NUMBER	
		3 OF 11	

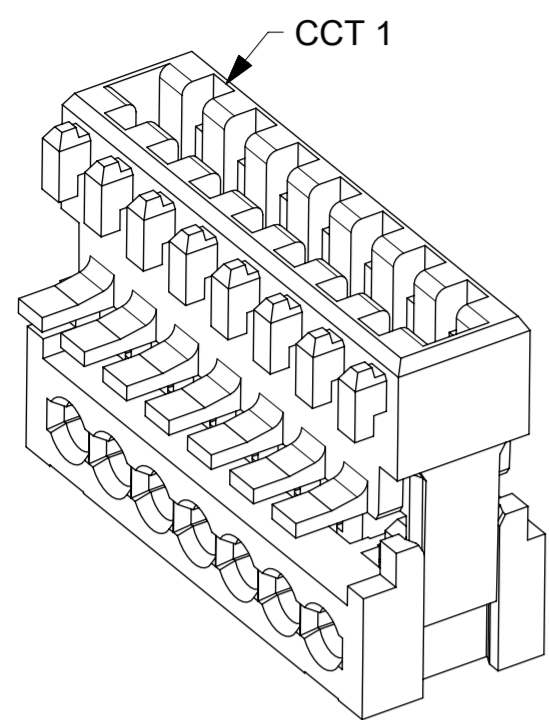
**molex**

APPLI-MATE 2.5 FEMALE  
G.W.T. 750 AND 850 VERSION GF MATERIAL

PRODUCT CUSTOMER DRAWING

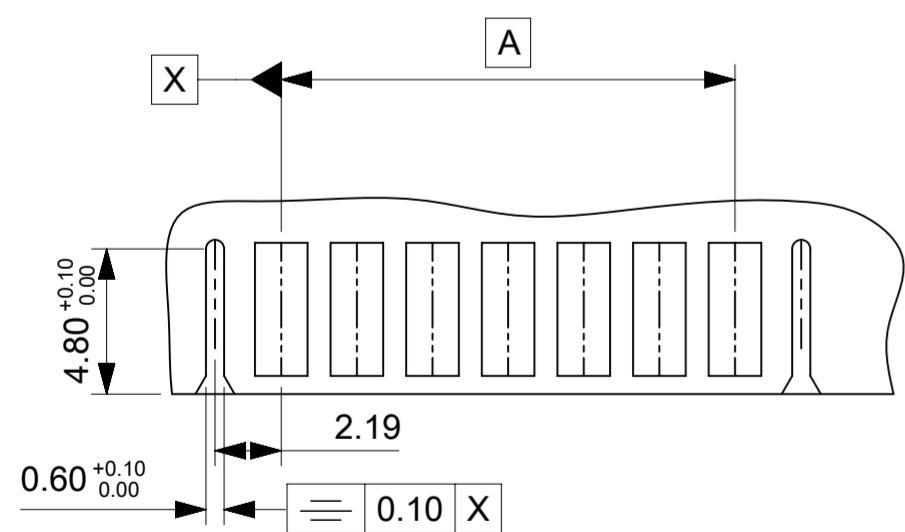
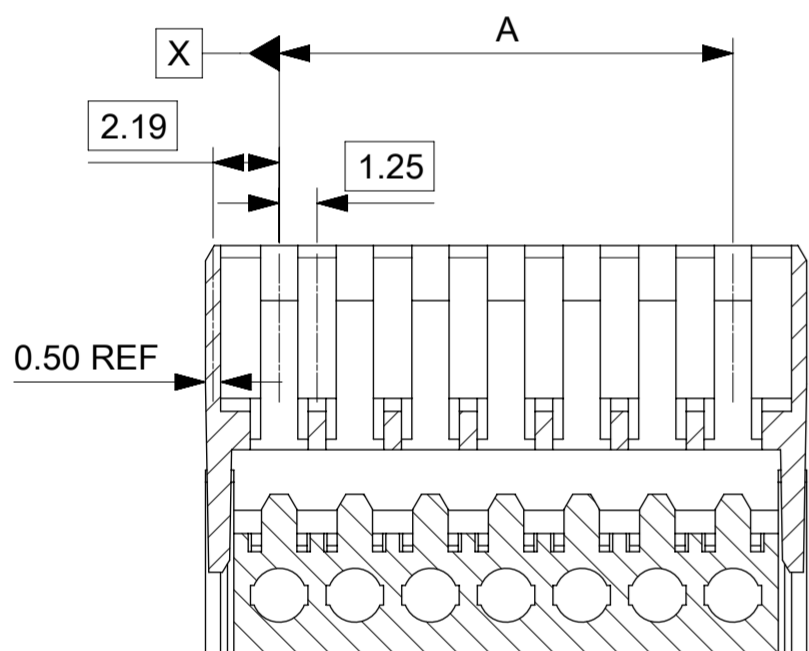
DOCUMENT NUMBER: 934660001  
DOC TYPE: PSD  
DOC PART: 000  
REVISION: AG1

MATERIAL NUMBER: SEE TABLE  
CUSTOMER: GENERAL MARKET  
SHEET NUMBER: 3 OF 11



END WALL OPTION H

FIRST END WALL	LAST END WALL
NARROW FLUSH	NARROW FLUSH



THIS DRAWING CONTAINS INFORMATION THAT IS PROPRIETARY TO MOLEX ELECTRONIC TECHNOLOGIES, LLC AND SHOULD NOT BE USED WITHOUT WRITTEN PERMISSION

DIMENSION UNITS	SCALE	CURRENT REV DESC:		<b>molex</b>			
mm	1:1						
GENERAL TOLERANCES (UNLESS SPECIFIED)				APPLI-MATE 2.5 FEMALE G.W.T. 750 AND 850 VERSION GF MATERIAL			
ANGULAR TOL	± 0.5°			PRODUCT CUSTOMER DRAWING			
4 PLACES	±	EC NO: 675456		DOCUMENT NUMBER			
3 PLACES	± 0.05	DRWN: MBN02	2021/08/26	934660001			
2 PLACES	± 0.1	CHK'D: MBN02	2021/08/26	DOC TYPE	DOC PART	REVISION	
1 PLACE	± 0.2	APPR: SDEVITT	2021/09/28	PSD	000	AG1	
0 PLACES	±	INITIAL REVISION:		SHEET NUMBER			
DRAFT WHERE APPLICABLE MUST REMAIN WITHIN DIMENSIONS		DRWN: CFISHER01	2016/01/11	MATERIAL NUMBER		CUSTOMER	
THIRD ANGLE PROJECTION		APPR: MSHANAHAN	2016/02/09	SEE TABLE	GENERAL MARKET		4 OF 11
DRAWING		SERIES		MATERIAL NUMBER		CUSTOMER	
A2-SIZE		93466		SEE TABLE		GENERAL MARKET	

DOCUMENT STATUS	P1	RELEASE DATE	2021/09/28	05:26:26
-----------------	----	--------------	------------	----------

### 2 CIRCUIT

PART NUMBER	HOUSING USED	TERMINAL VOID POSITION	REMOVED POSITION KEYS	CONFIGURATION	FIRST ENDWALL	LAST ENDWALL	POLARIZING RIB BETWEEN	COLOUR STRIPE
93466-9001	93464-0002	NONE	NONE		OPEN	OPEN	NONE	NONE
93466-9002	93464-0102	NONE	NONE		OPEN	OPEN	BETWEEN CCT 1&2	NONE
93466-9003	93464-0002	NONE	a		OPEN	OPEN	NONE	NONE
93466-9004	93464-0002	NONE	b		OPEN	OPEN	NONE	NONE
93466-9005	93464-0002	NONE	c		OPEN	OPEN	NONE	NONE
93466-9006	93464-0002	NONE	a b c		OPEN	OPEN	NONE	NONE
93466-9007	94006-0002 ZEUS	NONE	NONE		OPEN	OPEN	NONE	NONE
93466-9008	94006-0102 ZEUS	NONE	a b c		OPEN	OPEN	BETWEEN CCT 1&2	NONE
93466-9009	94006-0002 ZEUS	NONE	a b c		OPEN	OPEN	NONE	NONE
93466-9010	94006-0102 ZEUS	NONE	NONE		OPEN	OPEN	BETWEEN CCT 1&2	NONE
93466-9011	94006-0202 ZEUS	NONE	NONE		OPEN	OPEN	BETWEEN CCT 1&2	BLACK
93466-9012	93464-0022	NONE	NONE		CLOSED	CLOSED	NONE	NONE
93466-9013	94006-0002 ZEUS	NONE	a		OPEN	OPEN	NONE	NONE

### 3 CIRCUIT

PART NUMBER	HOUSING USED	TERMINAL VOID POSITION	REMOVED POSITION KEYS	CONFIGURATION	FIRST ENDWALL	LAST ENDWALL	POLARIZING RIB BETWEEN	COLOUR STRIPE
93466-0001	93464-0003	NONE	NONE		OPEN	OPEN	NONE	BLUE
93466-0002	93464-0003	NONE	d		OPEN	OPEN	NONE	NONE
93466-0003	93464-0003	NONE	a b		OPEN	OPEN	NONE	NONE
93466-0004	93464-0063	NONE	d		CLOSED	OPEN	NONE	NONE
93466-0005	93464-0063	NONE	a c		CLOSED	OPEN	NONE	NONE
93466-0006	93464-0003	NONE	a		OPEN	OPEN	NONE	NONE
93466-0007	93464-0003	NONE	NONE		OPEN	OPEN	NONE	NONE
93466-0008	93464-0003	NONE	b d		OPEN	OPEN	NONE	NONE
93466-0009	93464-0003	NONE	a c		OPEN	OPEN	NONE	NONE
93466-0010	93464-0043	NONE	d		OPEN	CLOSED	NONE	NONE
93466-0011	93464-0083	NONE	d		NARROW	OPEN	NONE	NONE
93466-0012	93464-0083	NONE	a c		NARROW	OPEN	NONE	NONE
93466-0013	93464-0003	NONE	a b c		OPEN	OPEN	NONE	BLUE
93466-0014	93464-9903	NONE	d		NARROW FLUSH	OPEN	NONE	NONE
93466-0015	93464-0003	NONE	a b c d		OPEN	OPEN	NONE	NONE
93466-0016	93464-0203	NONE	NONE		OPEN	OPEN	BETWEEN CCT 2&3	NONE
93466-0017	93464-9903	NONE	a c		NARROW FLUSH	OPEN	NONE	NONE
93466-0018	93464-0103	NONE	a b c d		OPEN	OPEN	BETWEEN CCT 1&2	NONE
93466-0019	93464-0003	NONE	a		OPEN	OPEN	NONE	BLUE
93466-0020	93464-0003	NONE	d		OPEN	OPEN	NONE	BLUE
93466-0021	93464-0103	NONE	a b d		OPEN	OPEN	BETWEEN CCT 1&2	BLACK
93466-0022	93464-0103	NONE	a c d		OPEN	OPEN	BETWEEN CCT 1&2	NONE
93466-0023	94006-0003 ZEUS	NONE	NONE		OPEN	OPEN	NONE	NONE
93466-0024	93464-0103	NONE	a b d		OPEN	OPEN	BETWEEN CCT 1&2	YELLOW

**NOTES**

- 1. + DENOTES TERMINAL VOIDED POSITION
- ⊕ DENOTES TERMINAL LOADED POSITION
- | DENOTES POLARIZING RIB POSITION
- 2. MOLEX HOUSING NO. FOR REFERENCE ONLY

THIS DRAWING CONTAINS INFORMATION THAT IS PROPRIETARY TO MOLEX ELECTRONIC TECHNOLOGIES, LLC AND SHOULD NOT BE USED WITHOUT WRITTEN PERMISSION

DIMENSION UNITS	SCALE	CURRENT REV DESC:	<h1 style="margin: 0;">molex</h1>		
mm	1:1				
GENERAL TOLERANCES (UNLESS SPECIFIED)			<b>APPLI-MATE 2.5 FEMALE</b> G.W.T. 750 AND 850 VERSION GF MATERIAL		
ANGULAR TOL ± 0.5°					
4 PLACES ±	EC NO: 675456		<b>PRODUCT CUSTOMER DRAWING</b>		
3 PLACES ± 0.05	DRWN: MBN02 2021/08/26				
2 PLACES ± 0.1	CHK'D: MBN02 2021/08/26		DOCUMENT NUMBER		
1 PLACE ± 0.2	APPR: SDEVITT 2021/09/28				
0 PLACES ±	INITIAL REVISION:		<b>934660001</b>		
DRWN: CFISHER01 2016/01/11					
DRAFT WHERE APPLICABLE MUST REMAIN WITHIN DIMENSIONS			DOC TYPE   DOC PART   REVISION		
THIRD ANGLE PROJECTION			<b>PSD 000 AG1</b>		
DRAWING			MATERIAL NUMBER   CUSTOMER		
SERIES			GENERAL MARKET		
A2-SIZE 93466			SHEET NUMBER		
SEE TABLE			5 OF 11		

### 3 CIRCUIT

PART NUMBER	HOUSING USED	TERMINAL VOID POSITION	REMOVED POSITION KEYS	CONFIGURATION	FIRST ENDWALL	LAST ENDWALL	POLARIZING RIB BETWEEN	COLOUR STRIPE
93466-0025	93464-0003	NONE	b c		OPEN	OPEN	NONE	NONE
93466-0026	93464-0003	NONE	c d		OPEN	OPEN	NONE	NONE
93466-0027	93464-0103	NONE	NONE		OPEN	OPEN	1&2	NONE
93466-0028	93464-0003	NONE	a d		OPEN	OPEN	NONE	NONE
93466-0029	94006-0003 ZEUS	NONE	a d		OPEN	OPEN	NONE	NONE
93466-0030	94006-0103 ZEUS	NONE	NONE		OPEN	OPEN	1&2	NONE
93466-0031	94006-0203 ZEUS	NONE	NONE		OPEN	OPEN	2&3	NONE
93466-0032	94006-0023 ZEUS	NONE	NONE		CLOSED	CLOSED	NONE	NONE
93466-0033	94006-0003 ZEUS	NONE	a c		OPEN	OPEN	NONE	NONE
93466-0035	94006-0003 ZEUS	NONE	ALL		OPEN	OPEN	NONE	NONE
93466-0036	94006-0003 ZEUS	NONE	b d		OPEN	OPEN	NONE	NONE
93466-0037	94006-0003 ZEUS	NONE	b c		OPEN	OPEN	NONE	NONE
93466-0039	94006-0003 ZEUS	NONE	a b		OPEN	OPEN	NONE	NONE
93466-0040	94006-0003 ZEUS	NONE	c d		OPEN	OPEN	NONE	NONE
93466-0041	93464-0203	NONE	a b d		OPEN	OPEN	2&3	NONE
93466-0042	93464-0203	NONE	a b c d		OPEN	OPEN	2&3	NONE
93466-0043	93464-0203	NONE	c		OPEN	OPEN	2&3	BLUE
93466-0044	93464-0203	NONE	b c d		OPEN	OPEN	2&3	NONE
93466-0045	93464-0103	NONE	b c		OPEN	OPEN	1&2	NONE
93466-0046	94006-0203 ZEUS	NONE	c		OPEN	OPEN	2&3	NONE
93466-0047	94006-0023 ZEUS	NONE	NONE		CLOSED	CLOSED	NONE	ORANGE
93466-0048	94006-0103 ZEUS	NONE	ALL		OPEN	OPEN	1&2	NONE
93466-0049	94006-0003 ZEUS	NONE	a		OPEN	OPEN	NONE	NONE
93466-0050	94006-9915 ZEUS	NONE	NONE		NARROW FLUSH	NARROW FLUSH	NONE	NONE
93466-0051	93464-0003	NONE	b		OPEN	OPEN	NONE	NONE
93466-0052	93464-0003	NONE	a b d		OPEN	OPEN	NONE	NONE
93466-0053	94006-0203 ZEUS	NONE	NONE		OPEN	OPEN	2&3	RED

#### NOTES

- + DENOTES TERMINAL VOIDED POSITION  
⊕ DENOTES TERMINAL LOADED POSITION  
| DENOTES POLARIZING RIB POSITION
- MOLEX HOUSING NO. FOR REFERENCE ONLY

### 4 CIRCUIT

PART NUMBER	HOUSING USED	TERMINAL VOID POSITION	REMOVED POSITION KEYS	CONFIGURATION	FIRST ENDWALL	LAST ENDWALL	POLARIZING RIB BETWEEN	COLOUR STRIPE
93466-0501	93464-0004	NONE	NONE		OPEN	OPEN	NONE	NONE
93466-0502	93464-0004	NONE	b		OPEN	OPEN	NONE	NONE
93466-0503	93464-0004	NONE	b c		OPEN	OPEN	NONE	NONE
93466-0504	93464-0004	NONE	d e		OPEN	OPEN	NONE	NONE
93466-0505	93464-0104	NONE	a b d e		OPEN	OPEN	BETWEEN CCT 1&2	NONE
93466-0506	93464-0064	NONE	NONE		CLOSED	OPEN	NONE	NONE
93466-0507	93464-0044	NONE	b		OPEN	CLOSED	NONE	NONE
93466-0508	93464-0084	NONE	NONE		NARROW	OPEN	NONE	NONE
93466-0510	93464-0004	NONE	a c		OPEN	OPEN	NONE	NONE
93466-0511	93464-0204	NONE	NONE		OPEN	OPEN	BETWEEN CCT 2&3	NONE
93466-0512	93464-0304	NONE	b c		OPEN	OPEN	BETWEEN CCT 3&4	NONE
93466-0513	93464-0104	CCT 1	a c e		OPEN	OPEN	BETWEEN CCT 1&2	NONE
93466-0514	93464-0304	CCT 2,4	NONE		OPEN	OPEN	BETWEEN CCT 3&4	NONE
93466-0515	93464-0304	NONE	NONE		OPEN	OPEN	BETWEEN CCT 3&4	NONE
93466-0516	93464-9901	NONE	NONE		NARROW FLUSH	OPEN	NONE	NONE
93466-0517	93464-0304	NONE	NONE		OPEN	OPEN	BETWEEN CCT 3&4	RED
93466-0518	93464-0204	NONE	NONE		OPEN	OPEN	BETWEEN CCT 2&3	BLUE
93466-0519	93464-0104	NONE	NONE		OPEN	OPEN	BETWEEN CCT 1&2	NONE
93466-0520	93464-0004	CCT 3	a b e		OPEN	OPEN	NONE	RED
93466-0521	93464-0104	NONE	a e		OPEN	OPEN	BETWEEN CCT 1&2	NONE
93466-0522	93464-0104	NONE	a e		OPEN	OPEN	BETWEEN CCT 1&2	BLACK
93466-0523	93464-0304	NONE	a e		OPEN	OPEN	BETWEEN CCT 3&4	NONE
93466-0524	93464-0144	NONE	a c		OPEN	CLOSED	BETWEEN CCT 1&2	NONE
93466-0525	93464-0264	NONE	NONE		CLOSED	OPEN	BETWEEN CCT 2&3	NONE

THIS DRAWING CONTAINS INFORMATION THAT IS PROPRIETARY TO MOLEX ELECTRONIC TECHNOLOGIES, LLC AND SHOULD NOT BE USED WITHOUT WRITTEN PERMISSION

DIMENSION UNITS	SCALE	CURRENT REV DESC:					
mm	1:1						
GENERAL TOLERANCES (UNLESS SPECIFIED)		EC NO: 675456		APPLI-MATE 2.5 FEMALE			
ANGULAR TOL ± 0.5°		DRWN: MBN02		G.W.T. 750 AND 850 VERSION GF MATERIAL			
4 PLACES ±		2021/08/26		PRODUCT CUSTOMER DRAWING			
3 PLACES ± 0.05		2021/08/26					
2 PLACES ± 0.1		APPR: SDEVITT		DOCUMENT NUMBER			
1 PLACE ± 0.2		INITIAL REVISION:					
0 PLACES ±		DRWN: CFISHER01		2016/01/11		934660001	
		APPR: MSHANAHAN		2016/02/09		PSD 000 AG1	
DRAFT WHERE APPLICABLE MUST REMAIN WITHIN DIMENSIONS		THIRD ANGLE PROJECTION		DRAWING		SHEET NUMBER	
		A2-SIZE		SERIES		6 OF 11	
		93466		MATERIAL NUMBER		GENERAL MARKET	
		SEE TABLE		CUSTOMER			

DOCUMENT STATUS	P1	RELEASE DATE	2021/09/28	05:26:26
-----------------	----	--------------	------------	----------

4 CIRCUIT								
PART NUMBER	HOUSING USED	TERMINAL VOID POSITION	REMOVED POSITION KEYS	CONFIGURATION	FIRST ENDWALL	LAST ENDWALL	POLARIZING RIB BETWEEN	COLOUR STRIPE
93466-0526	93464-0144	NONE	a e		OPEN	CLOSED	BETWEEN CCT 1&2	NONE
93466-0527	93464-0344	NONE	b c		OPEN	CLOSED	BETWEEN CCT 3&4	NONE
93466-0528	93464-0164	NONE	a b d e		CLOSED	OPEN	BETWEEN CCT1&2	NONE
93466-0529	93464-0144	NONE	d e		OPEN	CLOSED	BETWEEN CCT1&2	NONE
93466-0530	93464-0264	NONE	b c d		CLOSED	OPEN	BETWEEN CCT2&3	NONE
93466-0531	93464-0264	NONE	a e		CLOSED	OPEN	BETWEEN CCT2&3	NONE
93466-0532	93464-0004	NONE	b c d		OPEN	OPEN	NONE	NONE
93466-0533	93464-0004	NONE	a e		OPEN	OPEN	NONE	NONE
93466-0534	93464-0004	NONE	a c e		OPEN	OPEN	NONE	NONE
93466-0535	94006-0004 ZEUS	NONE	NONE		OPEN	OPEN	NONE	NONE
93466-0536	94006-0024 ZEUS	NONE	NONE		CLOSED	CLOSED	NONE	NONE
93466-0537	93464-0004	CCT 2	NONE		OPEN	OPEN	NONE	NONE
93466-0538	94006-0004 ZEUS	NONE	b c d		OPEN	OPEN	NONE	NONE
93466-0539	94006-0004 ZEUS	NONE	a e		OPEN	OPEN	NONE	NONE
93466-0540	94006-0004 ZEUS	NONE	a c e		OPEN	OPEN	NONE	NONE
93466-0541	94006-0004 ZEUS	NONE	b d e		OPEN	OPEN	NONE	NONE
93466-0542	94006-0004 ZEUS	NONE	a b d		OPEN	OPEN	NONE	NONE
93466-0543	93464-0064	NONE	b		CLOSED	OPEN	NONE	NONE
93466-0544	94006-0064 ZEUS	NONE	b		CLOSED	OPEN	NONE	NONE
93466-0545	93464-0104	NONE	b c d		OPEN	OPEN	BETWEEN CCT1&2	NONE
93466-0546	93464-0304	NONE	b c d		OPEN	OPEN	BETWEEN CCT3&4	NONE
93466-0547	94006-0004 ZEUS	NONE	a b c d e		OPEN	OPEN	NONE	NONE
93466-0548	94006-0304 ZEUS	NONE	b c d		OPEN	OPEN	BETWEEN CCT3&4	NONE
93466-0549	94006-0304 ZEUS	NONE	b c e		OPEN	OPEN	BETWEEN CCT3&4	NONE
93466-0553	94006-0044 ZEUS	NONE	NONE		OPEN	CLOSED	NONE	NONE
93466-0554	94006-0004 ZEUS	NONE	b d		OPEN	OPEN	NONE	NONE
93466-0555	94006-0024 ZEUS	NONE	a b		CLOSED	CLOSED	NONE	NONE
93466-0556	94006-0064 ZEUS	NONE	NONE		CLOSED	OPEN	NONE	NONE
93466-0557	94006-0004 ZEUS	NONE	a		OPEN	OPEN	NONE	NONE

5 CIRCUIT												
PART NUMBER	HOUSING USED	TERMINAL VOID POSITION	REMOVED POSITION KEYS	CONFIGURATION	FIRST ENDWALL	LAST ENDWALL	POLARIZING RIB BETWEEN	COLOUR STRIPE				
93466-1001	93464-0005	NONE	c d		OPEN	OPEN	NONE	NONE				
93466-1003	93464-0005	CCT 1, 2, 4	a d e f		OPEN	OPEN	NONE	NONE				
93466-1004	93464-0005	CCT 2, 3, 4	ALL		OPEN	OPEN	NONE	NONE				
93466-1005	93464-0105	NONE	NONE		OPEN	OPEN	BETWEEN CCT 1&2	NONE				
93466-1006	93464-0005	CCT 2, 3, 4	a d e f		OPEN	OPEN	NONE	NONE				
93466-1007	93464-0005	NONE	NONE		OPEN	OPEN	NONE	NONE				
93466-1008	93464-0005	NONE	a b d e		OPEN	OPEN	NONE	NONE				
93466-1009	93464-0005	NONE	a f		OPEN	OPEN	NONE	NONE				
93466-1010	93464-0025	NONE	NONE		CLOSED	CLOSED	NONE	NONE				
93466-1011	93464-0205	NONE	a f		OPEN	OPEN	BETWEEN CCT 2&3	BLUE				
93466-1012	93464-0005	CCT 2, 4	NONE		OPEN	OPEN	NONE	NONE				
93466-1013	93464-0105	CCT 3	a f		OPEN	OPEN	BETWEEN CCT 1&2	NONE				
93466-1014	93464-0205	NONE	NONE		OPEN	OPEN	BETWEEN CCT 2&3	NONE				
93466-1015	93464-0105	NONE	c d e		OPEN	OPEN	BETWEEN CCT 1&2	NONE				
93466-1016	93464-0205	NONE	c d e		OPEN	OPEN	BETWEEN CCT 2&3	NONE				
93466-1017	93464-0005	NONE	a b c d e f		OPEN	OPEN	NONE	NONE				
93466-1018	94006-0005 ZEUS	NONE	c d		OPEN	OPEN	NONE	NONE				
93466-1019	94006-0005 ZEUS	NONE	NONE		OPEN	OPEN	NONE	NONE				
93466-1020	93464-0005	NONE	b d e		OPEN	OPEN	NONE	NONE				
93466-1021	93464-0005	NONE	a c f		OPEN	OPEN	NONE	NONE				
93466-1022	93464-0005	NONE	b c d e f		OPEN	OPEN	NONE	NONE				
93466-1024	93464-0005	CCT 3	NONE		OPEN	OPEN	NONE	NONE				
93466-1025	94006-0005 ZEUS	NONE	b d e		OPEN	OPEN	NONE	NONE				
93466-1026	94006-0005 ZEUS	NONE	b c d e		OPEN	OPEN	NONE	NONE				

AG1 NOTES

- + DENOTES TERMINAL VOIDED POSITION
  - ⊕ DENOTES TERMINAL LOADED POSITION
  - | DENOTES POLARIZING RIB POSITION
2. MOLEX HOUSING NO. FOR REFERENCE ONLY

THIS DRAWING CONTAINS INFORMATION THAT IS PROPRIETARY TO MOLEX ELECTRONIC TECHNOLOGIES, LLC AND SHOULD NOT BE USED WITHOUT WRITTEN PERMISSION													
DIMENSION UNITS		SCALE		CURRENT REV DESC:									
mm		1:1		EC NO: 675456									
GENERAL TOLERANCES (UNLESS SPECIFIED)				DRWN: MBN02					2021/08/26				
ANGULAR TOL ± 0.5°				CHK'D: MBN02					2021/08/26				
4 PLACES ±				APPR: SDEVITT					2021/09/28				
2 PLACES ± 0.05				INITIAL REVISION:					DOCUMENT NUMBER				
3 PLACES ± 0.1				DRWN: CFISHER01					934660001				
1 PLACE ± 0.2				APPR: MSHANAHAN					PSD 000 AG1				
0 PLACES ±				THIRD ANGLE PROJECTION		DRAWING		SERIES		MATERIAL NUMBER		CUSTOMER	
DRAFT WHERE APPLICABLE MUST REMAIN WITHIN DIMENSIONS						A2-SIZE		93466		SEE TABLE		GENERAL MARKET	
SHEET NUMBER				7 OF 11									

**molex**

APPLI-MATE 2.5 FEMALE  
G.W.T. 750 AND 850 VERSION GF MATERIAL

PRODUCT CUSTOMER DRAWING

5 CIRCUIT								
PART NUMBER	HOUSING USED	TERMINAL VOID POSITION	REMOVED POSITION KEYS	CONFIGURATION	FIRST ENDWALL	LAST ENDWALL	POLARIZING RIB BETWEEN	COLOUR STRIPE
93466-1027	94006-0005 ZEUS	NONE	a c e		OPEN	OPEN	NONE	NONE
93466-1028	94006-0005 ZEUS	NONE	a c f		OPEN	OPEN	NONE	NONE
93466-1030	94006-0405 ZEUS	NONE	NONE		OPEN	OPEN	BETWEEN CCT 4&5	NONE
93466-1032	94006-0105 ZEUS	4	NONE		OPEN	OPEN	BETWEEN CCT 1&2	GREEN
93466-1033	94006-0205 ZEUS	NONE	NONE		OPEN	OPEN	BETWEEN CCT 2&3	NONE
93466-1034	94006-0005 ZEUS	NONE	c		OPEN	OPEN	NONE	NONE
93466-1035	94006-0005 ZEUS	NONE	e		OPEN	OPEN	NONE	NONE
93466-1036	94006-0105	NONE	NONE		OPEN	OPEN	NONE	NONE

6 CIRCUIT										
PART NUMBER	HOUSING USED	TERMINAL VOID POSITION	REMOVED POSITION KEYS	CONFIGURATION	FIRST ENDWALL	LAST ENDWALL	POLARIZING RIB BETWEEN	COLOUR STRIPE		
93466-1517	93464-0106	NONE	a b		OPEN	OPEN	BETWEEN CCT 1&2	NONE		
93466-1518	93464-0506	NONE	d f		OPEN	OPEN	BETWEEN CCT 5&6	NONE		
93466-1519	93464-0106	NONE	a b c d		OPEN	OPEN	BETWEEN CCT 1&2	NONE		
93466-1520	93464-9904	CCT 2,5	NONE		NARROW FLUSH	NARROW FLUSH	NONE	NONE		
93466-1521	93464-0306	NONE	c f		OPEN	OPEN	BETWEEN CCT 3&4	NONE		
93466-1522	93464-0326	CCT 2,5	a b c		CLOSED	CLOSED	BETWEEN CCT 3&4	NONE		
93466-1523	93464-0426	CCT 2,5	e f g		CLOSED	CLOSED	BETWEEN CCT 4&5	NONE		
93466-1524	93464-0006	CCT 2,5	NONE		OPEN	OPEN	NONE	RED		
93466-1525	93464-0006	CCT 3,5	NONE		OPEN	OPEN	NONE	BLUE		
93466-1526	94006-0006 ZEUS	NONE	NONE		OPEN	OPEN	NONE	NONE		
93466-1528	94006-0026 ZEUS	NONE	NONE		CLOSED	CLOSED	NONE	NONE		
93466-1529	94006-0006 ZEUS	NONE	b c d e f		OPEN	OPEN	NONE	NONE		
93466-1530	94006-0006 ZEUS	NONE	a c d e g		OPEN	OPEN	NONE	NONE		
93466-1532	94006-0006 ZEUS	CCT 2,5	NONE		OPEN	OPEN	NONE	RED		
93466-1533	93464-0006	NONE	b c d e f		OPEN	OPEN	NONE	NONE		
93466-1534	93464-0006	NONE	a g		OPEN	OPEN	NONE	NONE		
93466-1535	94006-0006 ZEUS	CCT 2,4	b d e f		OPEN	OPEN	NONE	BLUE		
93466-1536	93464-0266	NONE	NONE		CLOSED	OPEN	BETWEEN CCT 2&3	BLUE		
93466-1537	93464-9911	NONE	NONE		NARROW FLUSH	OPEN	BETWEEN CCT 2&3	BLUE		
93466-1538	93464-0266	NONE	a e		CLOSED	OPEN	BETWEEN CCT 2&3	NONE		
93466-1539	94006-0006 ZEUS	NONE	a b d e g		OPEN	OPEN	NONE	NONE		
93466-1540	93464-0006	NONE	d e f g		OPEN	OPEN	NONE	NONE		
93466-1541	93464-0006	NONE	a b e f		OPEN	OPEN	NONE	NONE		
93466-1542	94006-0006 ZEUS	NONE	a b e f		OPEN	OPEN	NONE	NONE		

6 CIRCUIT								
PART NUMBER	HOUSING USED	TERMINAL VOID POSITION	REMOVED POSITION KEYS	CONFIGURATION	FIRST ENDWALL	LAST ENDWALL	POLARIZING RIB BETWEEN	COLOUR STRIPE
93466-1501	93464-0006	NONE	c d		OPEN	OPEN	NONE	NONE
93466-1502	93464-0006	NONE	NONE		OPEN	OPEN	NONE	NONE
93466-1504	93464-0026	CCT 2,5	NONE		CLOSED	CLOSED	NONE	NONE
93466-1505	93464-0206	NONE	NONE		OPEN	OPEN	BETWEEN CCT 2&3	NONE
93466-1506	93464-0006	CCT 2,4	NONE		OPEN	OPEN	NONE	NONE
93466-1507	93464-0006	NONE	c e g		OPEN	OPEN	NONE	NONE
93466-1508	93464-0006	NONE	d f		OPEN	OPEN	NONE	NONE
93466-1509	93464-0026	NONE	c d		CLOSED	CLOSED	NONE	NONE
93466-1510	93464-0006	CCT 2,5	NONE		OPEN	OPEN	NONE	NONE
93466-1511	93464-0006	NONE	c e		OPEN	OPEN	NONE	NONE
93466-1512	93464-0006	NONE	e f		OPEN	OPEN	NONE	NONE
93466-1513	93464-0006	NONE	c e g		OPEN	OPEN	NONE	NONE
93466-1514	93464-0006	NONE	a f		OPEN	OPEN	NONE	NONE
93466-1515	93464-0046	CCT 2,5	NONE		OPEN	CLOSED	NONE	NONE
93466-1516	93464-0046	NONE	c d		OPEN	CLOSED	NONE	NONE

NOTES

- + DENOTES TERMINAL VOIDED POSITION  
⊕ DENOTES TERMINAL LOADED POSITION  
| DENOTES POLARIZING RIB POSITION
- MOLEX HOUSING NO. FOR REFERENCE ONLY

THIS DRAWING CONTAINS INFORMATION THAT IS PROPRIETARY TO MOLEX ELECTRONIC TECHNOLOGIES, LLC AND SHOULD NOT BE USED WITHOUT WRITTEN PERMISSION									
DIMENSION UNITS: mm		SCALE: 1:1		CURRENT REV DESC:					
GENERAL TOLERANCES (UNLESS SPECIFIED)		ANGULAR TOL ± 0.5°		EC NO: 675456					
4 PLACES ±		3 PLACES ± 0.05		2 PLACES ± 0.1		1 PLACE ± 0.2		0 PLACES ±	
DRAFT WHERE APPLICABLE MUST REMAIN WITHIN DIMENSIONS		THIRD ANGLE PROJECTION		DRAWING: A2-SIZE		SERIES: 93466		MATERIAL NUMBER: SEE TABLE	
DOCUMENT NUMBER: 934660001		DOC TYPE: PSD		DOC PART: 000		REVISION: AG1		SHEET NUMBER: 8 OF 11	



7 CIRCUIT								
PART NUMBER	HOUSING USED	TERMINAL VOID POSITION	REMOVED POSITION KEYS	CONFIGURATION	FIRST ENDWALL	LAST ENDWALL	POLARIZING RIB BETWEEN	COLOUR STRIPE
93466-2001	93464-0007	NONE	NONE		OPEN	OPEN	NONE	NONE
93466-2022	93464-0207	NONE	NONE		OPEN	OPEN	BETWEEN CCT 2&3	BLUE
93466-2023	93464-0007	CCT 2,3,4,6	NONE		OPEN	OPEN	NONE	NONE
93466-2024	93464-0207	NONE	a b c d		OPEN	OPEN	BETWEEN CCT 2&3	NONE
93466-2025	93464-0247	NONE	NONE		OPEN	CLOSED	BETWEEN CCT 2&3	BLUE
93466-2026	93464-0007	NONE	b c d e f g		OPEN	OPEN	NONE	NONE
93466-2027	93464-0007	NONE	a b d e g h		OPEN	OPEN	NONE	NONE
93466-2028	94006-0007 ZEUS	NONE	NONE		OPEN	OPEN	NONE	NONE
93466-2029	93464-0007	CCT 4	NONE		OPEN	OPEN	NONE	NONE
93466-2030	94006-0007 ZEUS	NONE	b c d e f g		OPEN	OPEN	NONE	NONE
93466-2031	94006-0007 ZEUS	NONE	b c d e g		OPEN	OPEN	NONE	NONE
93466-2032	94006-0007 ZEUS	NONE	a b d e g h		OPEN	OPEN	NONE	NONE
93466-2033	94006-0207 ZEUS	NONE	NONE		OPEN	OPEN	BETWEEN CCT2&3	NONE
93466-2034	93464-0007	NONE	a h		OPEN	OPEN	NONE	NONE
93466-2035	94006-0007 ZEUS	NONE	c d e		OPEN	OPEN	NONE	NONE
93466-2036	93464-1807	CCT 4	NONE		OPEN	OPEN	BETWEEN CCT3&4 - 4&5	NONE
93466-2037	94006-0027 ZEUS	NONE	NONE		CLOSED	CLOSED	NONE	NONE
93466-2038	94006-0007 ZEUS	NONE	a b f g h		OPEN	OPEN	NONE	NONE
93466-2039	93464-0007	NONE	a c d e h		OPEN	OPEN	NONE	NONE
93466-2040	93464-0007	NONE	b c f g		OPEN	OPEN	NONE	NONE

8 CIRCUIT								
PART NUMBER	HOUSING USED	TERMINAL VOID POSITION	REMOVED POSITION KEYS	CONFIGURATION	FIRST ENDWALL	LAST ENDWALL	POLARIZING RIB BETWEEN	COLOUR STRIPE
93466-2505	93464-0108	NONE	NONE		OPEN	OPEN	BETWEEN CCT 1&2	NONE
93466-2506	93464-0308	NONE	NONE		OPEN	OPEN	BETWEEN CCT 3&4	NONE
93466-2507	93464-0008	CCT 5,7	NONE		OPEN	OPEN	NONE	NONE
93466-2508	93464-0088	CCT 5,7	NONE		NARROW	OPEN	NONE	NONE
93466-2509	93464-0008	NONE	b c d h i		OPEN	OPEN	NONE	NONE
93466-2510	93464-0368	NONE	NONE		CLOSED	OPEN	BETWEEN CCT 3&4	NONE
93466-2511	93464-0508	NONE	a b c d		OPEN	OPEN	BETWEEN CCT 5&6	NONE
93466-2512	93464-9905	CCT 5,7	b c d		NARROW FLUSH	OPEN	NONE	NONE
93466-2513	93464-0648	CCT 5,7	b c d		OPEN	CLOSED	BETWEEN CCT 6&7	NONE
93466-2514	94006-0008 ZEUS	NONE	NONE		OPEN	OPEN	NONE	NONE
93466-2515	94006-0608 ZEUS	NONE	NONE		OPEN	OPEN	BETWEEN CCT 6&7	NONE
93466-2516	94006-0708 ZEUS	NONE	NONE		OPEN	OPEN	BETWEEN CCT 7&8	NONE
93466-2517	94006-0008 ZEUS	NONE	b c d e f g		OPEN	OPEN	NONE	NONE
93466-2518	94006-0008 ZEUS	NONE	a c d e f g i		OPEN	OPEN	NONE	NONE
93466-2519	94006-0008 ZEUS	NONE	a b d e f h i		OPEN	OPEN	NONE	NONE
93466-2520	94006-0008 ZEUS	NONE	c d e f g		OPEN	OPEN	NONE	NONE
93466-2521	94006-0208 ZEUS	NONE	NONE		OPEN	OPEN	BETWEEN CCT2&3	NONE
93466-2522	94006-0028 ZEUS	NONE	NONE		CLOSED	CLOSED	NONE	NONE
93466-2523	94006-1308 ZEUS	NONE	NONE		OPEN	OPEN	BETWEEN CCT1&2 - 7&8	NONE
93466-2524	94006-0008 ZEUS	NONE	b c d e f g h		OPEN	OPEN	NONE	NONE
93466-2525	94006-0328 ZEUS	NONE	NONE		CLOSED	CLOSED	BETWEEN CCT 3&4	NONE

8 CIRCUIT								
PART NUMBER	HOUSING USED	TERMINAL VOID POSITION	REMOVED POSITION KEYS	CONFIGURATION	FIRST ENDWALL	LAST ENDWALL	POLARIZING RIB BETWEEN	COLOUR STRIPE
93466-2501	93464-0008	NONE	c h i		OPEN	OPEN	NONE	NONE
93466-2502	93464-0008	CCT 2	NONE		OPEN	OPEN	NONE	NONE
93466-2503	93464-0008	CCT 2,4	NONE		OPEN	OPEN	NONE	NONE
93466-2504	93464-0068	CCT 5,7	NONE		CLOSED	OPEN	NONE	NONE

THIS DRAWING CONTAINS INFORMATION THAT IS PROPRIETARY TO MOLEX ELECTRONIC TECHNOLOGIES, LLC AND SHOULD NOT BE USED WITHOUT WRITTEN PERMISSION

DIMENSION UNITS	SCALE	CURRENT REV DESC:	
mm	1:1		
GENERAL TOLERANCES (UNLESS SPECIFIED)		<p><b>molex</b></p> <p>APPLI-MATE 2.5 FEMALE G.W.T. 750 AND 850 VERSION GF MATERIAL</p> <p>PRODUCT CUSTOMER DRAWING</p>	
ANGULAR TOL	± 0.5°		
4 PLACES	±		
3 PLACES	± 0.05		
2 PLACES	± 0.1		
1 PLACE	± 0.2	EC NO: 675456	2021/08/26
0 PLACES	±	DRWN: MBN02	2021/08/26
DRAFT WHERE APPLICABLE MUST REMAIN WITHIN DIMENSIONS		APPR: SDEVITT	2021/09/28
THIRD ANGLE PROJECTION		INITIAL REVISION:	DOCUMENT NUMBER
DRAWING		DRWN: CFISHER01	934660001
SERIES		APPR: MSHANAHAN	PSD
MATERIAL NUMBER		2016/01/11	000
CUSTOMER		2016/02/09	AG1
SHEET NUMBER		GENERAL MARKET	9 OF 11

9 CIRCUIT								
PART NUMBER	HOUSING USED	TERMINAL VOID POSITION	REMOVED POSITION KEYS	CONFIGURATION	FIRST ENDWALL	LAST ENDWALL	POLARIZING RIB BETWEEN	COLOUR STRIPE
93466-3001	93464-0009	NONE	NONE		OPEN	OPEN	NONE	NONE
93466-3002	93464-0009	CCT 3, 5, 8	NONE		OPEN	OPEN	NONE	BLUE
93466-3003	94006-0009 (ZEUS)	CCT 3, 5, 8	c d e i j		OPEN	OPEN	NONE	BLUE
93466-3004	93464-0369	NONE	NONE		CLOSED	OPEN	BETWEEN CCT 3&4	NONE
93466-3005	93464-0209	NONE	NONE		OPEN	OPEN	BETWEEN CCT 2&3	NONE
93466-3006	94006-0009 (ZEUS)	NONE	b c d e f g h i		OPEN	OPEN	NONE	NONE
93466-3007	94006-0009 (ZEUS)	NONE	NONE		OPEN	OPEN	NONE	NONE
93466-3008	94006-0009 (ZEUS)	NONE	a c d e f g h j		OPEN	OPEN	NONE	NONE
93466-3009	94006-0009 (ZEUS)	CCT 3, 5, 8	NONE		OPEN	OPEN	NONE	BLUE
93466-3010	93464-0009	NONE	a j		OPEN	OPEN	NONE	NONE
93466-3011	94006-0009 (ZEUS)	NONE	d f g		OPEN	OPEN	NONE	NONE
93466-3012	94006-0029 (ZEUS)	NONE	NONE		CLOSED	CLOSED	NONE	NONE

10 CIRCUIT								
PART NUMBER	HOUSING USED	TERMINAL VOID POSITION	REMOVED POSITION KEYS	CONFIGURATION	FIRST ENDWALL	LAST ENDWALL	POLARIZING RIB BETWEEN	COLOUR STRIPE
93466-3510	93464-0010	CCT 2,6,9	NONE		OPEN	OPEN	NONE	NONE
93466-3501	93464-0010	NONE	NONE		OPEN	OPEN	NONE	NONE
93466-3502	93464-0210	NONE	a j		OPEN	OPEN	BETWEEN CCT 2&3	BLUE
93466-3503	93464-0210	NONE	a b c d		OPEN	OPEN	BETWEEN CCT 2&3	NONE
93466-3504	93464-0010	NONE	b c d e f g h i j		OPEN	OPEN	NONE	NONE
93466-3505	94006-0010 (ZEUS)	NONE	NONE		OPEN	OPEN	NONE	NONE
93466-3506	94006-0110 (ZEUS)	NONE	NONE		OPEN	OPEN	BETWEEN CCT 1&2	NONE
93466-3507	94006-0010 (ZEUS)	NONE	b c d e f g h i j		OPEN	OPEN	NONE	NONE
93466-3508	94006-0010 (ZEUS)	CCT 2,5,7,9	b c d e f g h i j		OPEN	OPEN	NONE	BLUE
93466-3509	94006-0010 (ZEUS)	NONE	c d f g i		OPEN	OPEN	NONE	NONE
93466-3511	94006-0030 (ZEUS)	NONE	NONE		CLOSED	CLOSED	NONE	NONE
93466-3512	94006-0010 (ZEUS)	NONE	c d e f g h i		OPEN	OPEN	NONE	NONE
93466-3513	93464-0010	NONE	a b c d e f g h i j k (all)		OPEN	OPEN	NONE	NONE
93466-3514	93464-0010	NONE	b c d e f		OPEN	OPEN	NONE	NONE
93466-3515	94006-0010	NONE	b c d e f		OPEN	OPEN	NONE	NONE

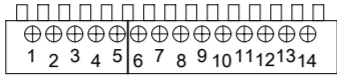
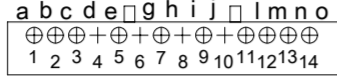
11 CIRCUIT								
PART NUMBER	HOUSING USED	TERMINAL VOID POSITION	REMOVED POSITION KEYS	CONFIGURATION	FIRST ENDWALL	LAST ENDWALL	POLARIZING RIB BETWEEN	COLOUR STRIPE
93466-4001	93464-0011	NONE	NONE		OPEN	OPEN	NONE	NONE
93466-4002	93464-0511	NONE	a b c d		OPEN	OPEN	BETWEEN CCT 5&6	NONE
93466-4003	94006-0011 (ZEUS)	NONE	NONE		OPEN	OPEN	NONE	NONE
93466-4004	94006-0911 (ZEUS)	NONE	b c d e f g h i j k		OPEN	OPEN	BETWEEN CCT 9&10	NONE

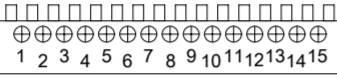
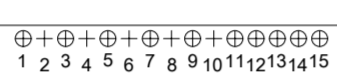
12 CIRCUIT								
PART NUMBER	HOUSING USED	TERMINAL VOID POSITION	REMOVED POSITION KEYS	CONFIGURATION	FIRST ENDWALL	LAST ENDWALL	POLARIZING RIB BETWEEN	COLOUR STRIPE
93466-4501	93464-1132	NONE	NONE		CLOSED	CLOSED	BETWEEN CCT 11&12	NONE
93466-4502	93464-1632	CCT 9,11	b c d g h i		CLOSED	CLOSED	BETWEEN CCT 2&3, 10&11	NONE
93466-4503	93464-0012	CCT 2,11	NONE		OPEN	OPEN	NONE	NONE
93466-4504	94006-0012 (ZEUS)	NONE	NONE		OPEN	OPEN	NONE	NONE
93466-4505	93464-1632	NONE	b c d g h i		CLOSED	CLOSED	BETWEEN CCT 2&3, 10&11	NONE
93466-4506	94006-0072 (ZEUS)	NONE	NONE		CLOSED	OPEN	NONE	NONE

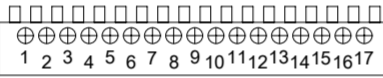
13 CIRCUIT								
PART NUMBER	HOUSING USED	TERMINAL VOID POSITION	REMOVED POSITION KEYS	CONFIGURATION	FIRST ENDWALL	LAST ENDWALL	POLARIZING RIB BETWEEN	COLOUR STRIPE
93466-5001	93464-0013	NONE	NONE		OPEN	OPEN	NONE	NONE
93466-5003	94006-0053 (ZEUS)	NONE	NONE		OPEN	CLOSED	NONE	NONE
93466-5004	94006-0033 (ZEUS)	NONE	NONE		CLOSED	CLOSED	NONE	NONE

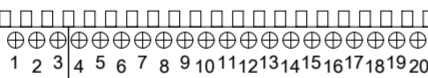
THIS DRAWING CONTAINS INFORMATION THAT IS PROPRIETARY TO MOLEX ELECTRONIC TECHNOLOGIES, LLC AND SHOULD NOT BE USED WITHOUT WRITTEN PERMISSION


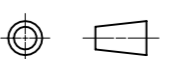
DIMENSION UNITS	SCALE	CURRENT REV DESC:		<b>molex</b>					
mm	1:1								
GENERAL TOLERANCES (UNLESS SPECIFIED)		EC NO: 675456		APPLI-MATE 2.5 FEMALE					
ANGULAR TOL ± 0.5°		DRWN: MBN02		G.W.T. 750 AND 850 VERSION GF MATERIAL					
4 PLACES ±		2021/08/26		PRODUCT CUSTOMER DRAWING					
3 PLACES ± 0.05		CHK'D: MBN02							
2 PLACES ± 0.1		2021/08/26		DOCUMENT NUMBER					
1 PLACE ± 0.2		APPR: SDEVITT							
0 PLACES ±		INITIAL REVISION:		934660001					
DRAFT WHERE APPLICABLE MUST REMAIN WITHIN DIMENSIONS		DRWN: CFISHER01							
THIRD ANGLE PROJECTION		2016/01/11		DOC TYPE		DOC PART		REVISION	
DRAWING		2016/02/09		PSD		000		AG1	
SERIES		A2-SIZE		MATERIAL NUMBER		CUSTOMER		SHEET NUMBER	
93466		SEE TABLE		GENERAL MARKET		10 OF 11			

14 CIRCUIT								
PART NUMBER	HOUSING USED	TERMINAL VOID POSITION	REMOVED POSITION KEYS	CONFIGURATION	FIRST ENDWALL	LAST ENDWALL	POLARIZING RIB BETWEEN	COLOUR STRIPE
93466-5501	93464-0534	NONE	NONE		CLOSED	CLOSED	BETWEEN CCT 5&6	NONE
93466-5502	94006-0014 ZEUS	4, 6, 8, 10	abcdefghijklmnop mno		OPEN	OPEN	NONE	NONE

15 CIRCUIT								
PART NUMBER	HOUSING USED	TERMINAL VOID POSITION	REMOVED POSITION KEYS	CONFIGURATION	FIRST ENDWALL	LAST ENDWALL	POLARIZING RIB BETWEEN	COLOUR STRIPE
93466-6001	93464-0015	NONE	NONE		OPEN	OPEN	NONE	NONE
93466-6002	94006-0015 ZEUS	2, 4, 6, 8, 10	ALL		OPEN	OPEN	NONE	NONE

17 CIRCUIT								
PART NUMBER	HOUSING USED	TERMINAL VOID POSITION	REMOVED POSITION KEYS	CONFIGURATION	FIRST ENDWALL	LAST ENDWALL	POLARIZING RIB BETWEEN	COLOUR STRIPE
93466-7001	94006-0037 (ZEUS)	NONE	NONE		CLOSED	CLOSED	NONE	NONE

20 CIRCUIT								
PART NUMBER	HOUSING USED	TERMINAL VOID POSITION	REMOVED POSITION KEYS	CONFIGURATION	FIRST ENDWALL	LAST ENDWALL	POLARIZING RIB BETWEEN	COLOUR STRIPE
93466-8501	94006-0380 (ZEUS)	NONE	NONE		CLOSED	OPEN	BETWEEN CCT 3&4	NONE

THIS DRAWING CONTAINS INFORMATION THAT IS PROPRIETARY TO MOLEX ELECTRONIC TECHNOLOGIES, LLC AND SHOULD NOT BE USED WITHOUT WRITTEN PERMISSION									
DIMENSION UNITS	SCALE	CURRENT REV DESC:							
mm	1:1								
GENERAL TOLERANCES (UNLESS SPECIFIED)		EC NO: 675456			APPLI-MATE 2.5 FEMALE G.W.T. 750 AND 850 VERSION GF MATERIAL				
ANGULAR TOL	± 0.5°	DRWN: MBN02 2021/08/26							
4 PLACES	±	CHK'D: MBN02 2021/08/26			PRODUCT CUSTOMER DRAWING				
3 PLACES	± 0.05	APPR: SDEVITT 2021/09/28							
2 PLACES	± 0.1	INITIAL REVISION:			DOCUMENT NUMBER <b>934660001</b>				
1 PLACE	± 0.2	DRWN: CFISHER01 2016/01/11							
0 PLACES	±	APPR: MSHANAHAN 2016/02/09			DOC TYPE <b>PSD</b>				
DRAFT WHERE APPLICABLE MUST REMAIN WITHIN DIMENSIONS		THIRD ANGLE PROJECTION	DRAWING	SERIES					
			A2-SIZE	93466	SEE TABLE	GENERAL MARKET	000	AG1	
								SHEET NUMBER 11 OF 11	

DOCUMENT STATUS	P1	RELEASE DATE	2021/09/28	05:26:26
-----------------	----	--------------	------------	----------