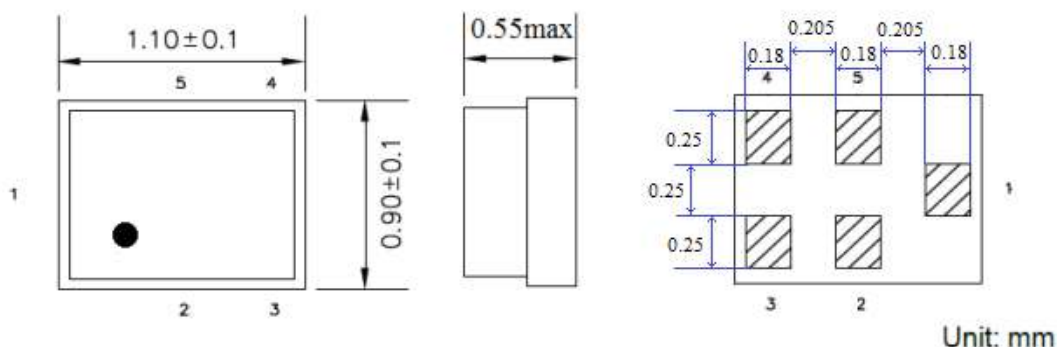


- ❖ Low-Loss RF Filter for Mobile Phone Band 41 Systems
- ❖ Useable Pass Band 120 MHz
- ❖ Impedance 50 Ω Input and Output
- ❖ Unbalanced to Unbalanced Operation

### Electrical Specification

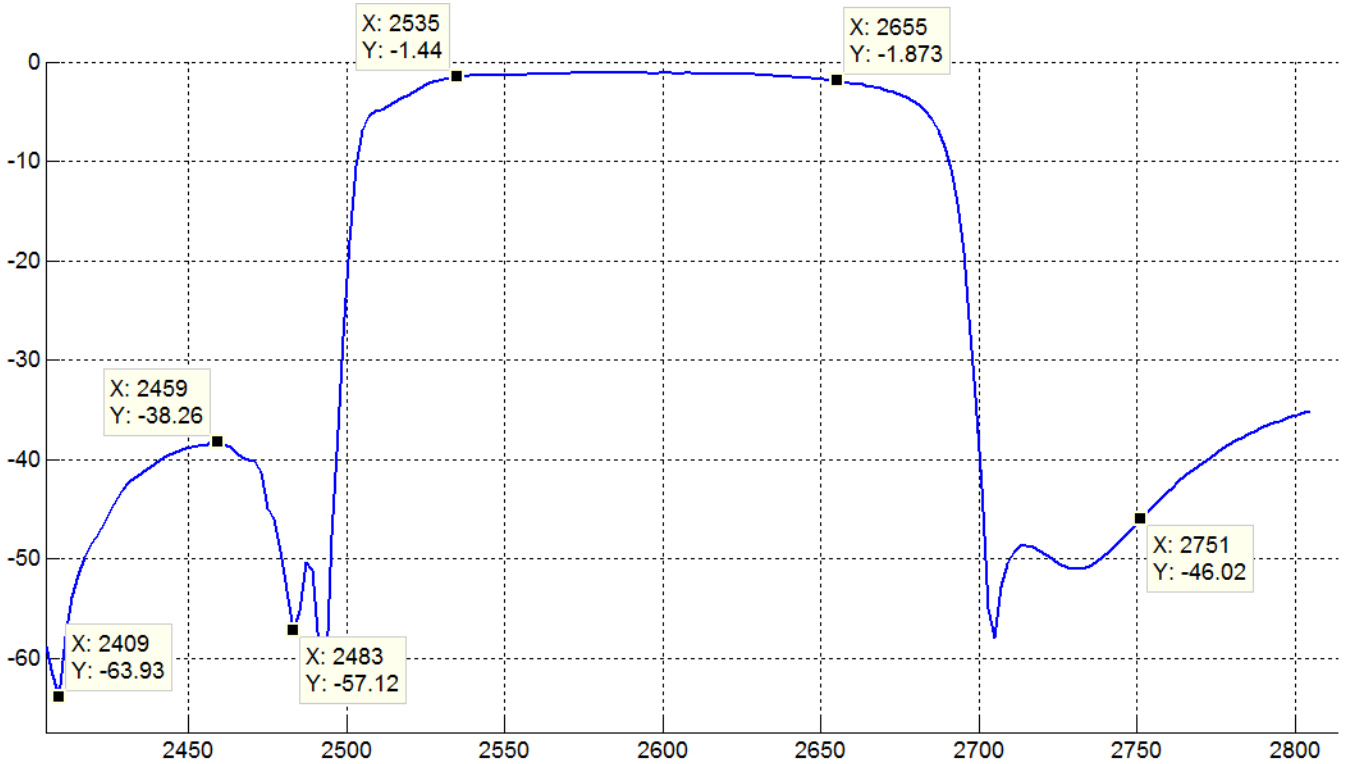
Parameters		Value	Unit
Center Frequency (Fc)		2595.000	MHz
Insertion Loss, typ/max	2535 ~ 2655 MHz	1.8 / 2.4	dB
VSWR, typ/max	2535 ~ 2655 MHz	1.6 / 2.0	-
Amplitude Ripple, typ/max	2535 ~ 2655 MHz	1.0 / 2.0	dB
Attenuation, min/typ	10 MHz ~ 960 MHz	-30 / -35	dB
	1225 MHz ~ 2400 MHz	-27 / -32	dB
	2400 MHz ~ 2483 MHz	-34 / -38	dB
	2750 MHz ~ 4900 MHz	-28 / -30	dB
	4900 MHz ~ 6000 MHz	-25 / -30	dB
Input Power, CW, 5000h		32	dBm
DC Voltage		5	V
Input Impedance		50 // 3.5	Ω // nH
Output Impedance		50 // 5.0	Ω // nH
ESD voltage Sensitive discharge device	ESD(MM)	50	VDC
	ESD(HBM)	175	VDC
Operating temperature range		-30 to +85	°C
Storage Temperature		-40 to +85	°C

### Dimension

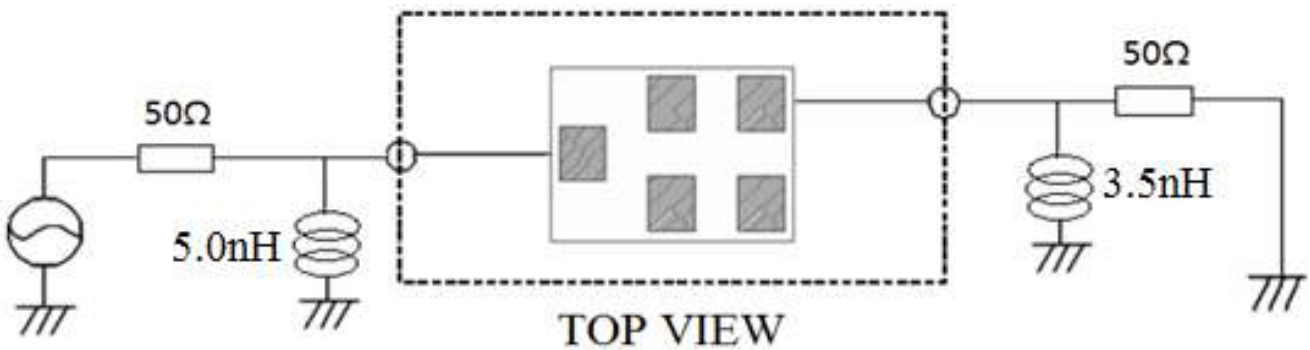


PIN #	PIN NAME	DESCRIPTION
1	IN	Input
4	OUT	Output
2,3,5	GND	Ground

### Frequency Characteristics



### Test Circuit

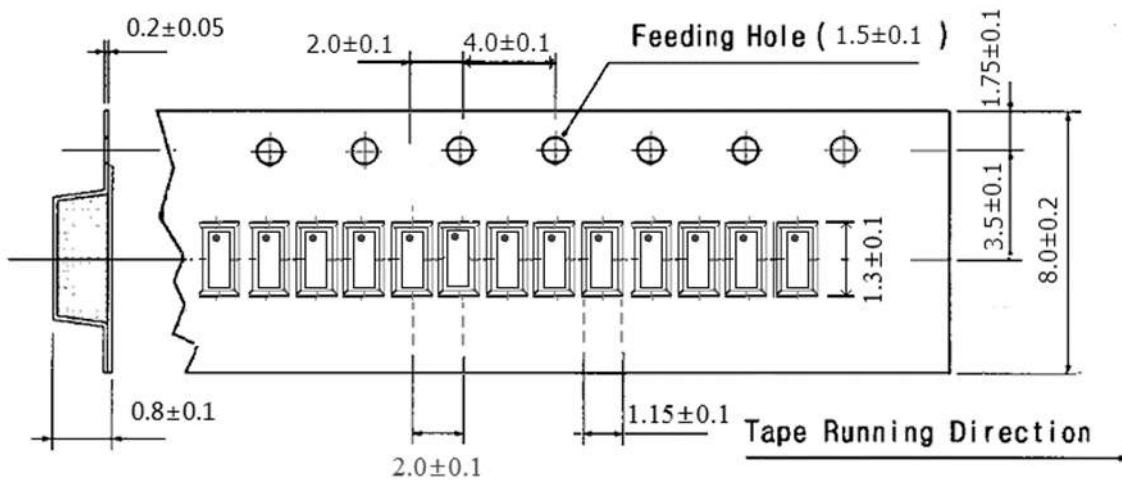


### Environmental

PARAMETER	VALUE
MOISTURE SENSITIVITY LEVEL	2
REACH – SVHC	Compliant
RoHS	Compliant
PACKAGING	TAPE & REEL



### Tape Dimension



### APPROVAL

DRAWN BY	ZZ, August 10, 2021
APPROVED BY	AR, August 10, 2021
REVISION	A, Initial Release

Raltron Electronics / RAMI Technology USA, LLC, including its affiliates, employees, agents and other persons acting on its behalf (collectively Raltron/RAMI Tech), disclaim any and all liability for any errors or inaccuracies contained in this data sheet. While Raltron/RAMI Tech has made every reasonable effort ensure the accuracy of all product information, specifications and data contained herein, Raltron/RAMI Tech does not guarantee that the information is accurate, reliable or current. The product information is provided only for reference purposes only and is subject to change, correction or revision, at any time without notice. Raltron/RAMI Tech does not assume any liability arising out of an application or use of any product described herein and disclaims any warranties expressed or implied. The user of products in such applications shall assume all risks of such use and will agree to hold Raltron/RAMI Tech, harmless against all damages.

Copyright © 2016, Raltron Electronics / RAMI Technology USA, LLC. All rights reserved. No part of this document may be reproduced in any form without the prior written permission of Raltron Electronics / RAMI Technology USA, LLC.