

Features

- High Rejection
- Low Ripple
- Low Loss

Description

Surface mount, silver (Ag) coated ceramic duplexer. Developed for use in DCS infrastructure applications.

Weight: 3.2 grams typical

Material: Filter is composed of a ceramic block plated with Ag and a shield made of nickel silver plated steel.

Filter complies with RoHS standards.



Electrical Specifications

Parameter	Frequency (MHz)	Typical @ 25°C	Spec. @ 25°C	Spec. Over -40°C to +85°C
High Band Response (S21)				
Passband Insertion Loss	1805-1880	2.50 dB	3.9 dB max	4.2 dB max
Passband Return Loss @ Port 2	1805-1880	12.6dB	10.5 dB min	10.0 dB min
Passband Return Loss @ Port 1	1805-1880	12.5dB	10.5 dB min	10.0 dB min
Passband Ripple	1805-1880	2.48 dB	2.8 dB max	3.1 dB max
Attenuation:	902.5-940	58.5 dB	30.5 min	30 dB
Low Band Response (S13)				
Passband Insertion Loss	1710-1785	3.00 dB	3.95 dB max	4.2 dB max
Passband Return Loss @ Port 1	1710-1785	12.1dB	10.5 dB min	10.0 dB min
Passband Return Loss @ Port 3	1710-1785	13.0 dB	10.5 dB min	10.0 dB min
Passband Ripple	1710-1785	1.94 dB	2.8 dB max	3.1 dB max
Attenuation:	1370-1445	52.7 dB	50.5 dB min	50 dB min
Isolation (S23)				
Rejection @ High band	1805-1880	46.5 dB	40.5 dB	40 dB min
Rejection @ Low band	1710-1785	33.5 dB	30.5 dB	30 dB min
Power into any port			2 Watts max	

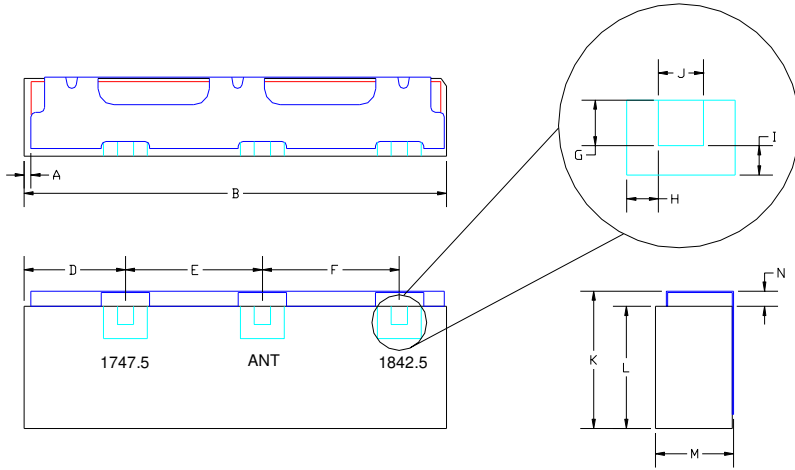
Note: Supplier shall test each filter to the critical electrical specifications of the above table. Any subsequent audits may deviate from in value due to measurement repeatability among different test systems. Such deviations shall not exceed the following limits:

Specification Allowance	
Insertion Loss	0.1 dB
Return Loss	1.0 dB
Stopbands	1.0 dB

*This product is covered by one or more of the following U.S. and foreign patents including: US 4,692,726;US 4,742,562; US 4,800,348;US 4,829,274;US 5,146,193;EP 0573597;DE 0573597;FR 0573597;JP 508149/92;KR 142171;US 5,162,760;US 5,218,329;US 5,250,916;US 5,327,109;US 5,488,335;CA 2114029;FR 9306297;GB 2273393;JP 3205337;KR 115113;CN 93106228.4;US 5,512,866;EP 0706719;DE 0706719;FR 0706719;GB 0706719;CN 95190359.4;US 5,602,518;US 5,721,520;US 5,745,018;EP 0910875;DE 0910875;DK 0910875;FR 0910875;GB 0910875;IE 0910875;JP 505182/98;KR 10-323013;US 5,994,978;US 6,462,629;CN 00810420.4;US 6,559,735;US 6,650,202;US 6,834,429. Other US and foreign patents pending.

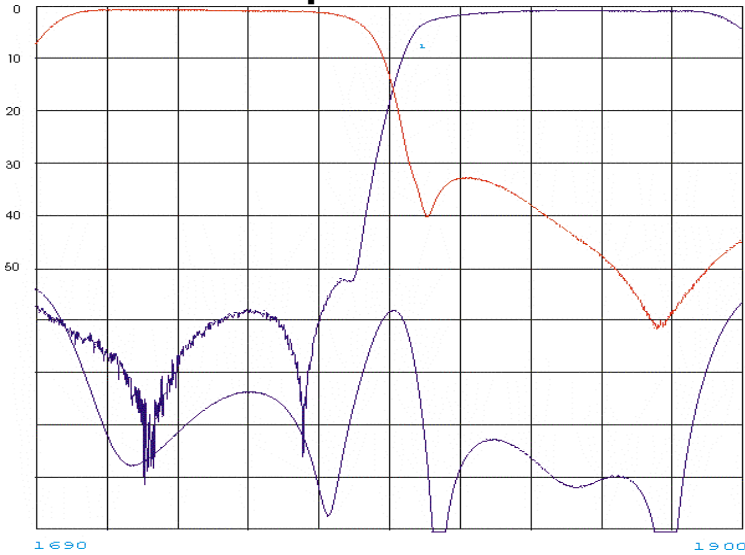
CTS Corporation 2006 reserves all copyrights in the layout, design and configuration of the patterns on this product.

Mechanical Drawing

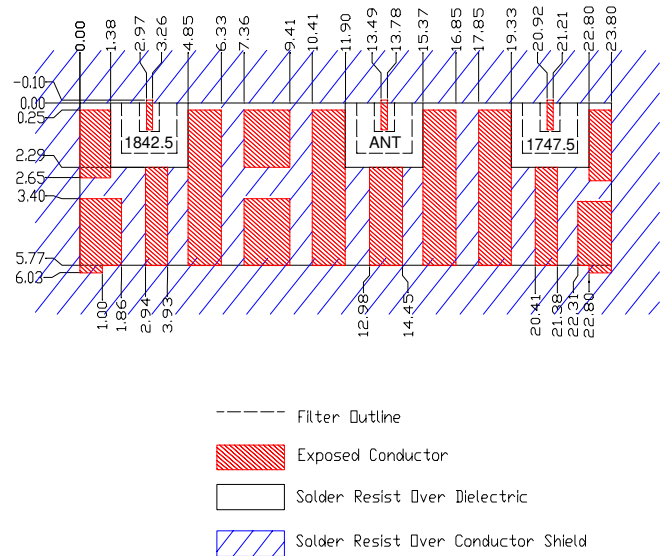


Dim	Nominal (mm)	Tolerance (mm) +/- or max
A	0.25	0.25
B	24.04	max
C		
D	2.72	0.25
E	7.44	0.13
F	10.52	0.13
G	1.02	0.13
H	0.79	0.13
I	0.79	0.13
J	0.89	0.13
K	7.14	max
L	6.03	max
M	4.60	max
N	0.84	0.13

Electrical response



PCB Layout



Packaging and Marking

DIMENSION	UNITS	SPECIFICATION
REEL DIAMETER	mm	330
REEL WEIGHT	kg	2.3 max
REEL QUANTITY	ea.	500

