

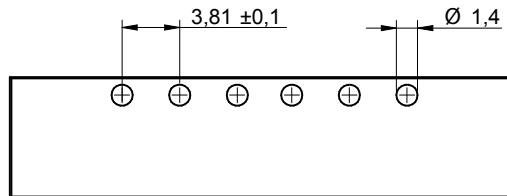
1

2

3

4

5



RECOMMENDED PCB LAYOUT - COMPONENT VIEW

## CHARACTERISTICS

## MATERIAL

Insulator material : LCP  
 Flammability rating : UL94-V0  
 Colour : Black  
 Contact pin : Brass (CuZn)  
 Surface of solder tail plating : Tin Plated  
 Flange nut : Brass - M2.5

## ENVIRONMENTAL

Operating temperature : -40°C up to 105°C  
 Compliance : Lead free and RoHS

## SOLDERING

Solder temperature : Reflow process as per JEDEC J-020D-STD

## ELECTRICAL

Current rating : 10A  
 Working voltage : 300 Vac  
 Dielectric withstanding voltage : 2.5 kVac/min  
 Contact resistance : 20 mΩ max

## STANDARD

us Certified : E315414 / Model number 7013

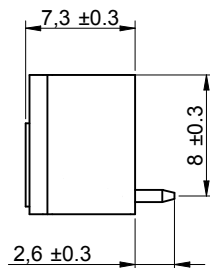
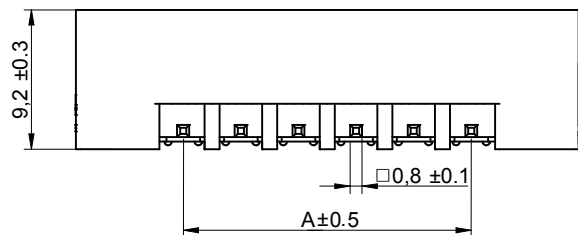
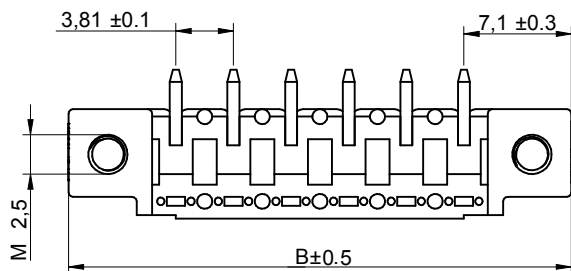
## MECHANICAL

Pitch : 3.81mm

## PACKAGING

Tape & Reel

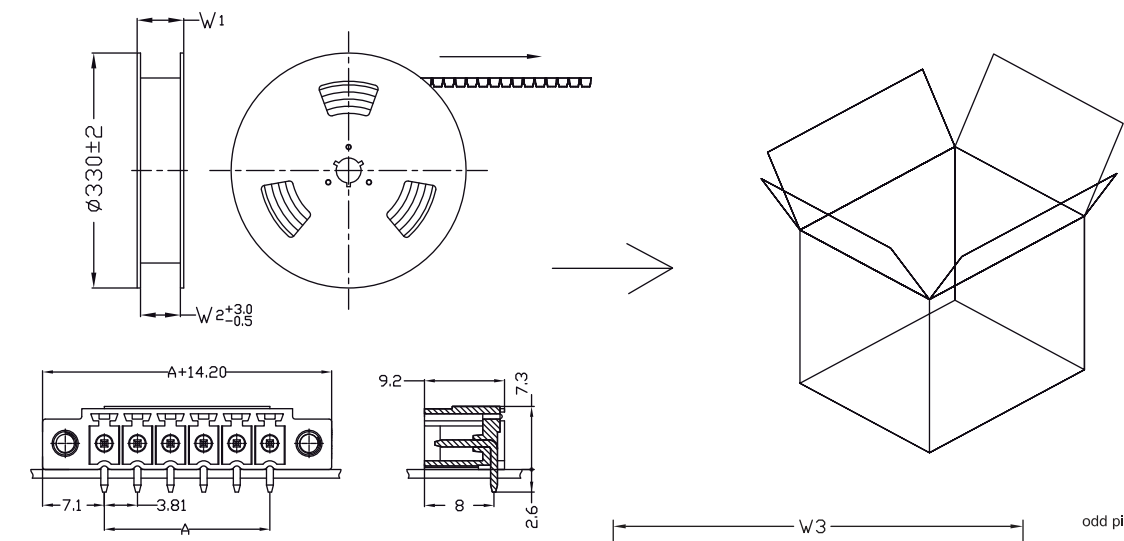
Poles	A	B
2	3.81	18.01
3	7.62	21.82
4	11.43	25.63
5	15.24	29.44
6	19.05	33.25
7	22.86	37.06
8	26.67	40.87
9	30.48	44.68
10	34.29	48.49
11	38.1	52.3
12	41.91	56.11



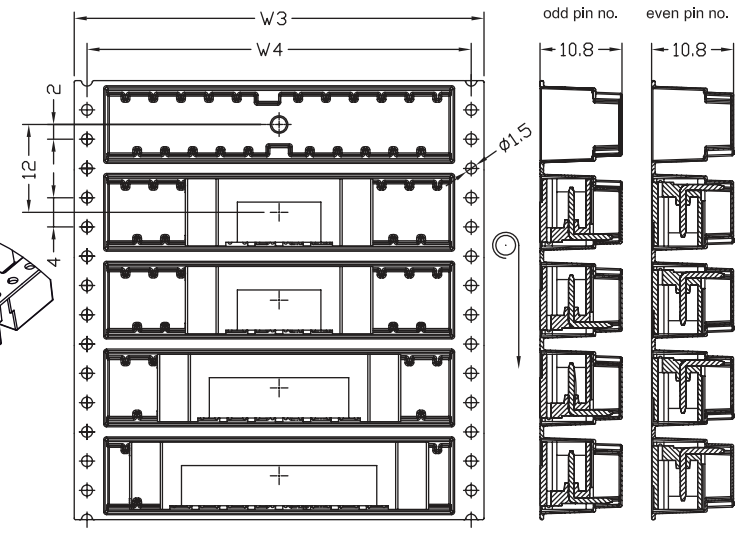
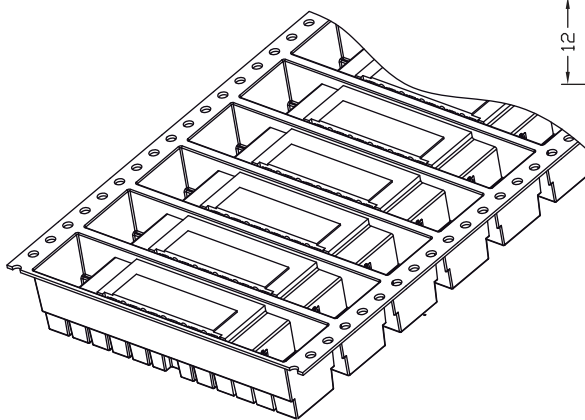
RoHS Compliant

G				PROJECTION: 	GENERAL TOLERANCE .X = +/- 0.2 .XX = +/- 0.15		
F							
E							
D							
C				APPROVAL: RJ	UNIT: MM	DESCRIPTION: SERIE 7013B - 3.81MM HORIZONTAL PCB HEADER - THR TYPE WITH FLANGES	
B	19-DEC-11	6917013500xx	QL		SCALE: 2/1		WERI PART NO: 691 701 350 0xx B
A	14-SEP-11	PDF	QL		SHEET: 1/2		
REV	DATE	FILE	BY		DRAW: QUENTIN		

A4

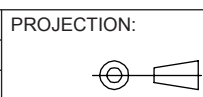


1. 10 sprocket hole pitch cumulative tolerance  $\pm 0.20$
2. Carrier camber is within 1 mm in 250 mm.
3. Material : Black Conductive Polystyrene Alloy.  
Transparent anti-static PET
4. All dimensions meet EIA-481-C requirements.
5. Thickness :  $0.50 \pm 0.05$  mm.
6. Component load per 13" reel : 450 pcs.



Poles	A	Dimension				Packing (Reel/cotton)	Carton dimensions (cm)	Quantity / Carton
		W1(mm)	W2(mm)	W3(mm)	W4(mm)			
2	3.81	36.4	32	32	28.4	10	33.5 x 33.5 x 40	4500
3	7.62	60.4	56	56	52.5	6	33.5 x 33.5 x 40	2700
4	11.43	60.4	56	56	52.5	6	33.5 x 33.5 x 40	2700
5	15.24	60.4	56	56	52.5	6	33.5 x 33.5 x 40	2700
6	19.05	60.4	56	56	52.5	6	33.5 x 33.5 x 40	2700
7	22.86	60.4	56	56	52.5	6	33.5 x 33.5 x 40	2700
8	26.67	60.4	56	56	52.5	6	33.5 x 33.5 x 40	2700
9	30.48	60.4	56	56	52.5	6	33.5 x 33.5 x 40	2700
10	34.29	76.4	72	72	68.5	5	33.5 x 33.5 x 40	2250
11	38.1	76.4	72	72	68.5	5	33.5 x 33.5 x 40	2250
12	41.91	76.4	72	72	68.5	5	33.5 x 33.5 x 40	2250

RoHS Compliant			
G			
F			
E			
D			
C			
B			
A			
REV	DATE	FILE	BY



GENERAL TOLERANCE  
 .X =  $\pm 0.2$   
 .XX =  $\pm 0.15$

APPROVAL: RJ

UNIT: MM  
 SCALE:  
 SHEET: 2/2  
 DRAW: QUENTIN



DESCRIPTION: SERIE 7013B - 3.81MM HORIZONTAL PCB HEADER - THR TYPE WITH FLANGES  
 WERI PART NO: 691 701 350 0xx B

SIZE  
**A4**