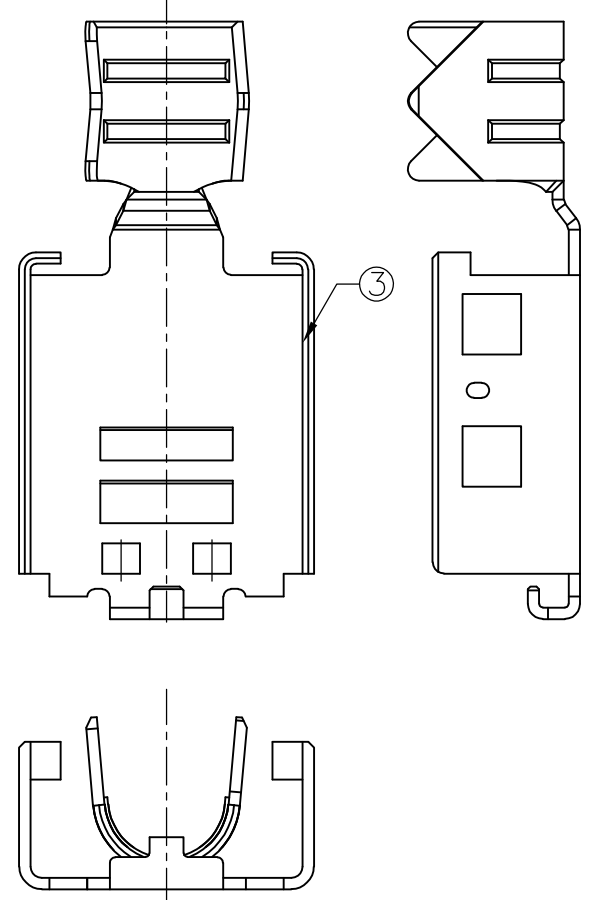
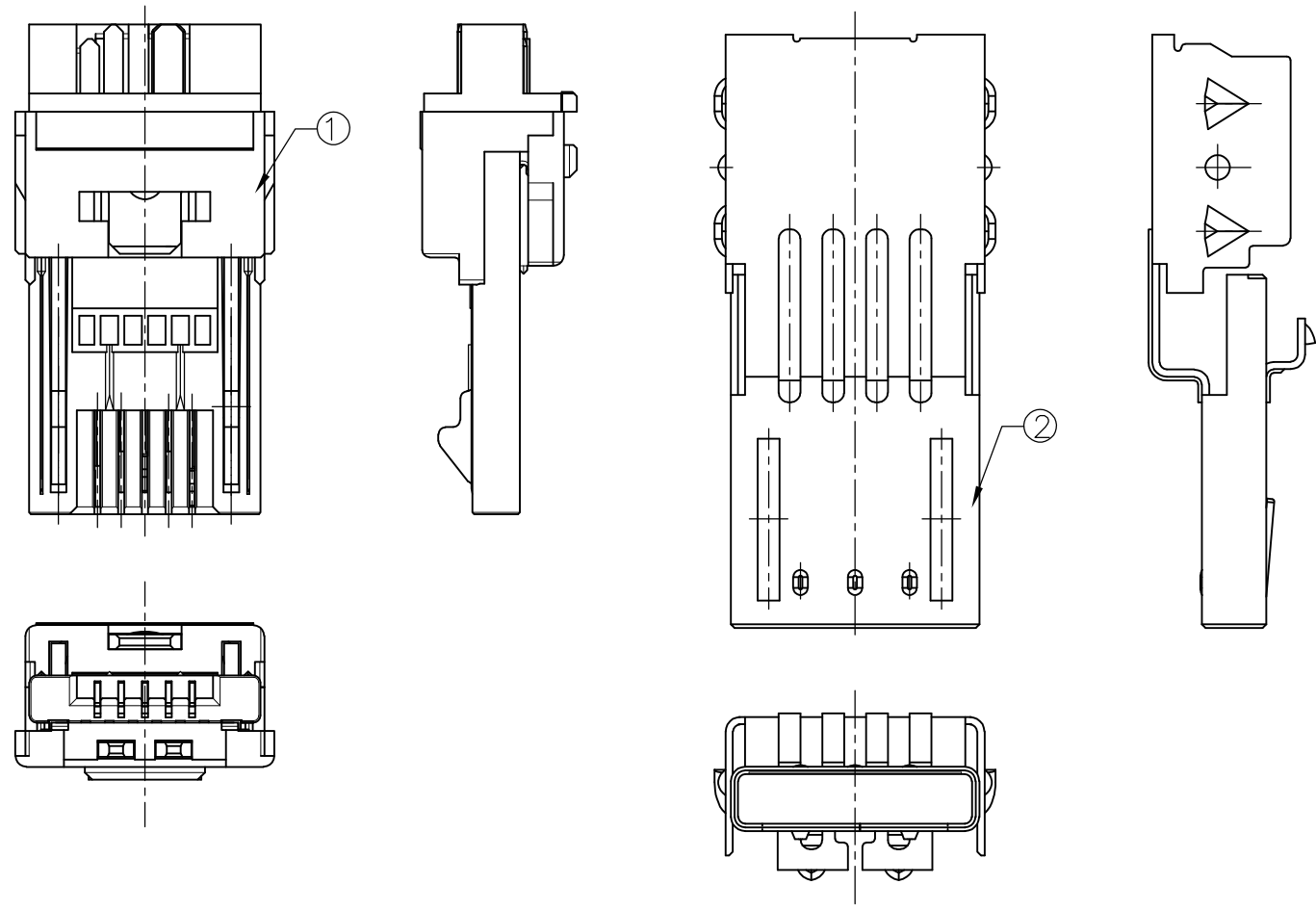


THIS DRAWING IS UNPUBLISHED. RELEASED FOR PUBLICATION .2007.
 © COPYRIGHT 2007 By - ALL RIGHTS RESERVED.

LOC	DIST	REVISIONS					
J	/	P	LTR	DESCRIPTION	DATE	DWN	APVD
		F		REVISED PER ECR-13-016179	11NOV2013	B.L	J.L



1. ITEM 2 AND 3 ARE NOT ASSEMBLED.
 2. PACKAGING QUANTITY : 550 KIT

OBSOLETE	APPLICABLE CABLE DIAMETER	TOOLING STATUS	CONTACT FINISH	PART NO. FOR KIT	DESCRIPTION	PART NO.	ITEM
	ø4.3	NOT AVAILABLE	SELECTIVE Au PLATED OVER Ni-Pd PLATED OVER Ni PLATED	1-1939053-3	LOWER SHELL	1-1939061-6	⑥
		AVAILABLE	SELECTIVE Au PLATED OVER Ni PLATED	1-1939053-3	UPPER SHELL	1-1939059-2	②
	ø3.3	NOT AVAILABLE	SELECTIVE Au PLATED OVER Ni-Pd PLATED OVER Ni PLATED	1-1939053-2	SUB ASSY	1-1939079-2	①
		AVAILABLE	SELECTIVE Au PLATED OVER Ni PLATED	1-1939053-2	LOWER SHELL	1-1939061-6	③
	ø2.8	NOT AVAILABLE	SELECTIVE Au PLATED OVER Ni-Pd PLATED OVER Ni PLATED	1-1939053-1	UPPER SHELL	1-1939059-2	②
		AVAILABLE	SELECTIVE Au PLATED OVER Ni PLATED	1-1939053-1	SUB ASSY	1-1939079-1	①

THIS DRAWING IS A CONTROLLED DOCUMENT.

DWN	J.TSUJI	06AUG2007
CHK	T.KUSUHARA	07AUG2007
APVD	T.KUSUHARA	07AUG2007

NAME: T.KUSUHARA

PRODUCT SPEC: 製品規格

APPLICATION SPEC: 取付適用規格

WEIGHT: -

CUSTOMER DRAWING

SCALE: 5:1

SHEET: 1 OF 3

REV: F

RESTRICTED TO: -

SIZE: A3

CAGE CODE: 00779

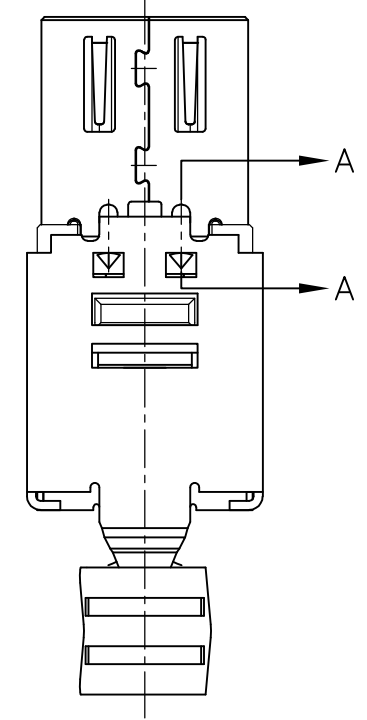
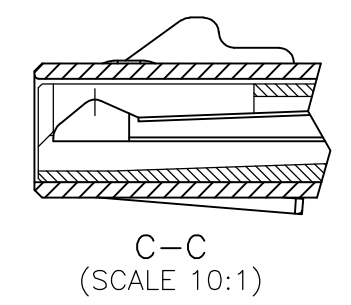
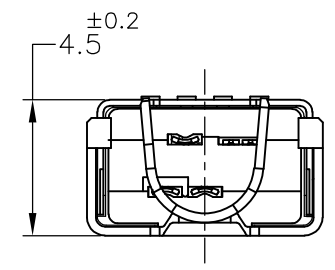
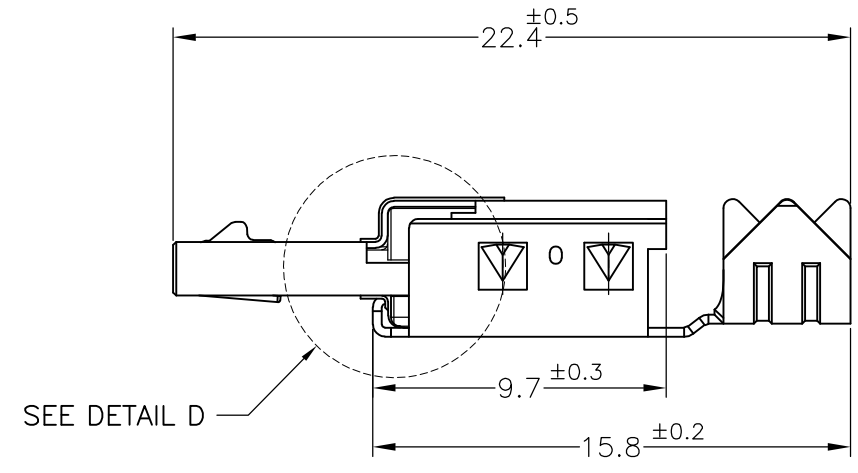
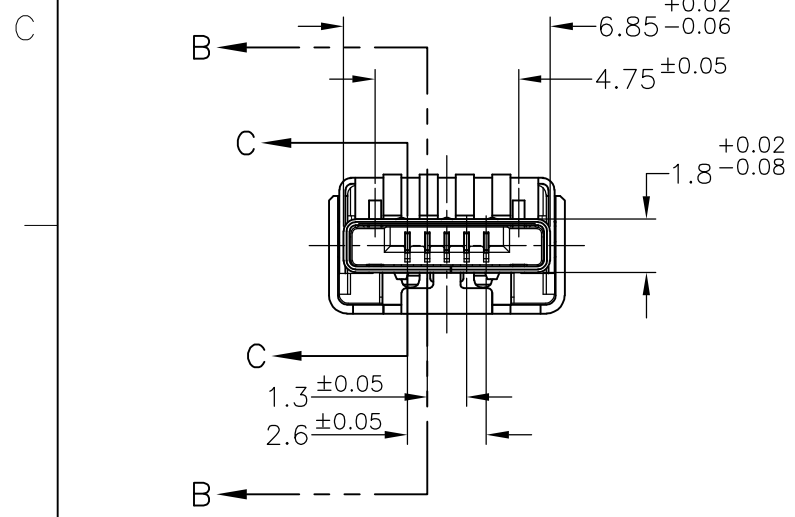
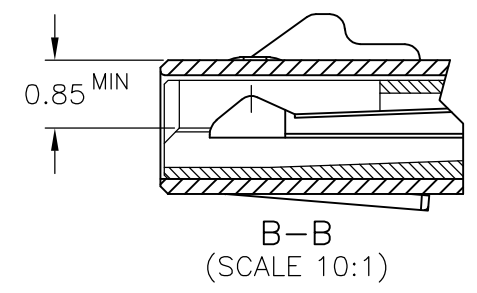
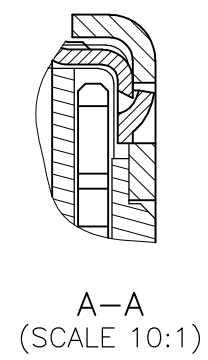
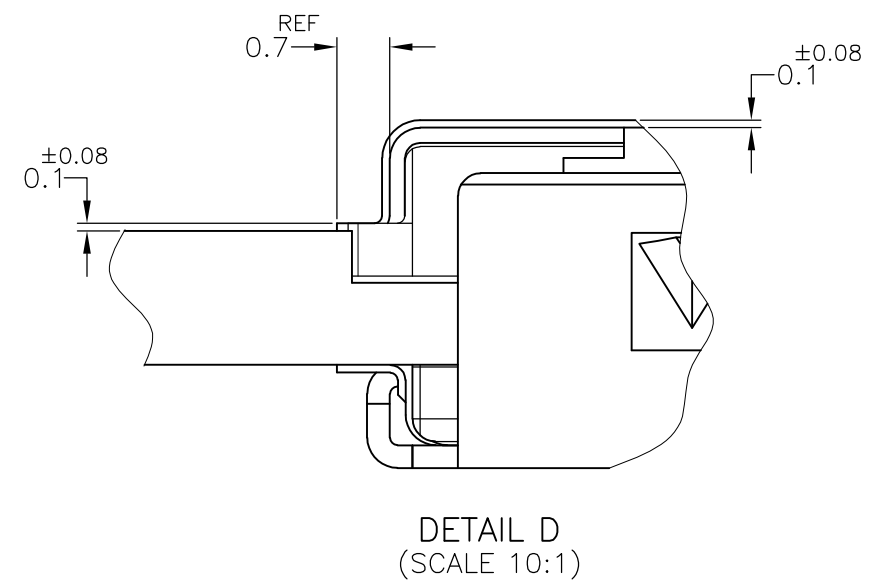
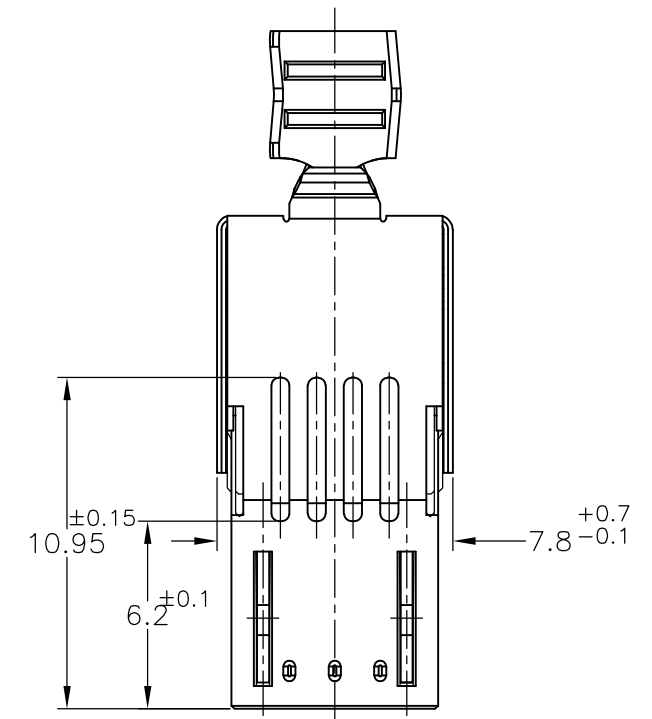
DRAWING NO: C-1939053



MICRO USB I/O
 PLUG TYPE A
 KIT

THIS DRAWING IS UNPUBLISHED. RELEASED FOR PUBLICATION .2006.
 © COPYRIGHT 2006 By - ALL RIGHTS RESERVED.

LOC	DIST	REVISIONS					
J	/	P	LTR	DESCRIPTION	DATE	DWN	APVD
		-		SEE SHEET 1	-	-	-

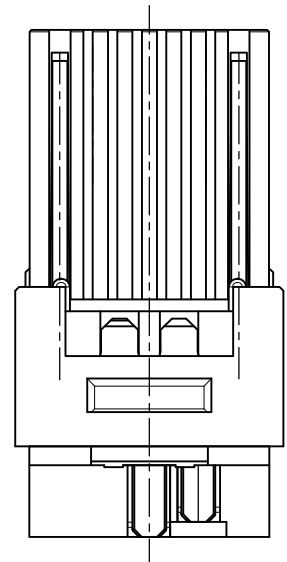
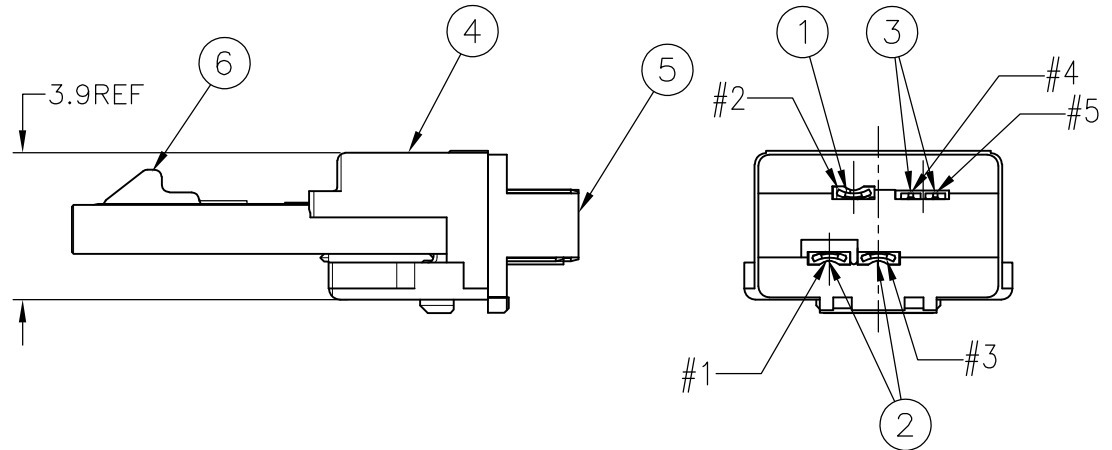
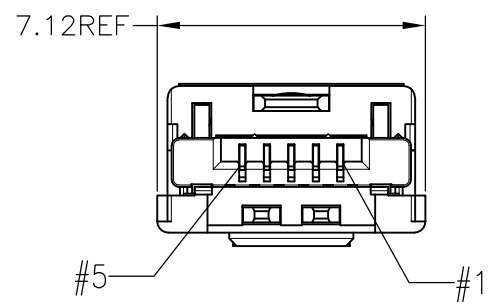
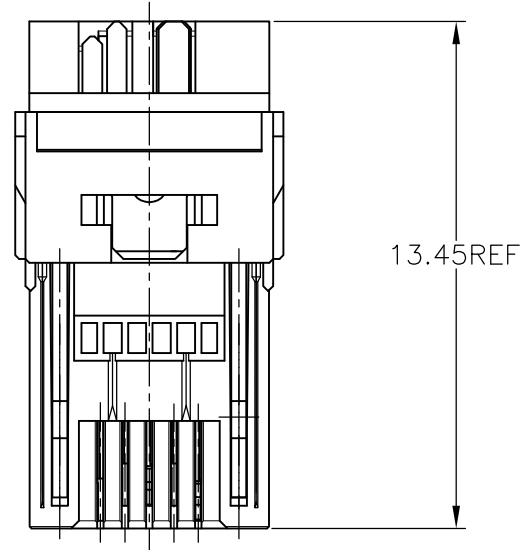


REFERENCE: SHELL ASSEMBLY

THIS DRAWING IS A CONTROLLED DOCUMENT.		DWN	-	TE Connectivity			
DIMENSIONS: 單位: 耗 mm		CHK	-				
TOLERANCES UNLESS OTHERWISE SPECIFIED: 一般公差		APVD	-	NAME 名稱			
0 PLC ± -		PRODUCT SPEC 製品規格		MICRO USB I/O PLUG TYPE A KIT			
1 PLC ± -		APPLICATION SPEC 取付適用規格		SIZE	CAGE CODE	DRAWING NO 番号	RESTRICTED TO
2 PLC ± -		WEIGHT		A3	00779	C-1939053	-
3 PLC ± -		MATERIAL 材料		CUSTOMER DRAWING			
4 PLC ± -		FINISH 仕上		SCALE 尺度	4:1	SHEET 2 OF 3	REV F
ANGLES ± -							

THIS DRAWING IS UNPUBLISHED. RELEASED FOR PUBLICATION ,2006.
 © COPYRIGHT 2006 By - ALL RIGHTS RESERVED.

LOC	DIST	REVISIONS					
J		P	LTR	DESCRIPTION	DATE	DWN	APVD
		-		SEE SHEET 1	-	-	-



REFERENCE: SUB ASSY

NAME	TOOLING STATUS	P/N	DESCRIPTION	PART NO.	MATERIAL	FINISH	ITEM
SUB ASSY	NOT AVAILABLE	1-1939079-2	LOCK LEVER	1981274-3	STAINLESS STEEL		⑥
			BOTTOM COVER	1981244-1	THERMO PLASTIC		⑤
			HOUSING	1939055-1	THERMO PLASTIC		④
			CONTACT C	1981214-3	COPPER ALLOY	SELECTIVE Au PLATED OVER Ni-Pd PLATED OVER Ni PLATED	③
			CONTACT B	1939058-3	COPPER ALLOY	SELECTIVE Au PLATED OVER Ni-Pd PLATED OVER Ni PLATED	②
			CONTACT A	1939057-3	COPPER ALLOY	SELECTIVE Au PLATED OVER Ni-Pd PLATED OVER Ni PLATED	①
	AVAILABLE	1-1939079-1	LOCK LEVER	1981274-3	STAINLESS STEEL		⑥
			BOTTOM COVER	1981244-1	THERMO PLASTIC		⑤
			HOUSING	1939055-1	THERMO PLASTIC		④
			CONTACT C	1981214-2	COPPER ALLOY	SELECTIVE Au PLATED OVER Ni PLATED	③
			CONTACT B	1939058-2	COPPER ALLOY	SELECTIVE Au PLATED OVER Ni PLATED	②
			CONTACT A	1939057-2	COPPER ALLOY	SELECTIVE Au PLATED OVER Ni PLATED	①

THIS DRAWING IS A CONTROLLED DOCUMENT.

DIMENSIONS: 单位: 耗 mm	TOLERANCES UNLESS OTHERWISE SPECIFIED: 一般公差	DWN	<p>TE Connectivity</p> <p>MICRO USB I/O PLUG TYPE A KIT</p>	
	0 PLC ± - 1 PLC ± - 2 PLC ± - 3 PLC ± - 4 PLC ± - ANGLES ± -	CHK		
		APVD		
MATERIAL 材料	FINISH 仕上	PRODUCT SPEC 製品規格		NAME 名称
		APPLICATION SPEC 取付適用規格		RESTRICTED TO
		WEIGHT	SIZE CAGE CODE DRAWING NO 番号 A300779 C-1939053	

CUSTOMER DRAWING SCALE 5:1 SHEET 3 of 3 REV F