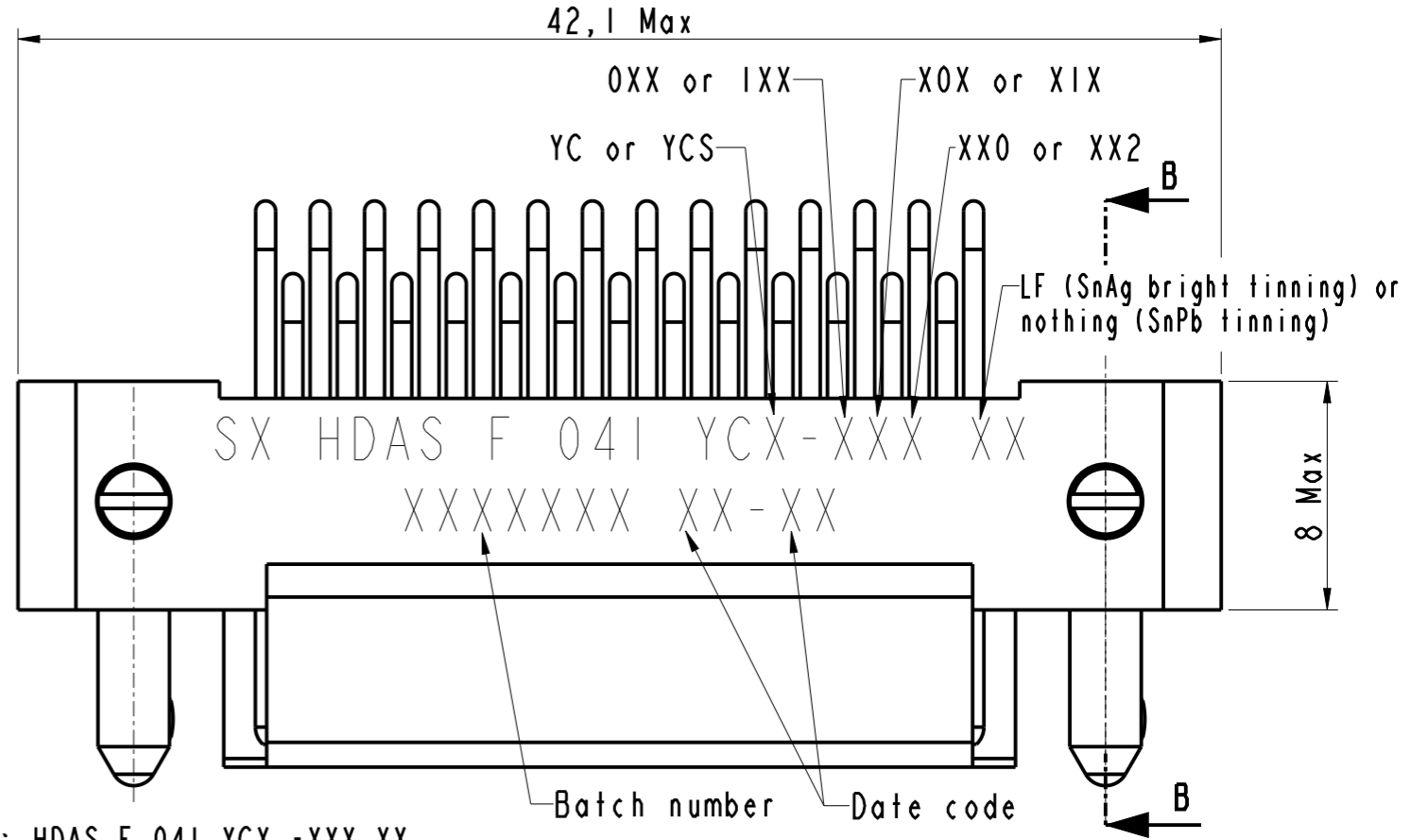
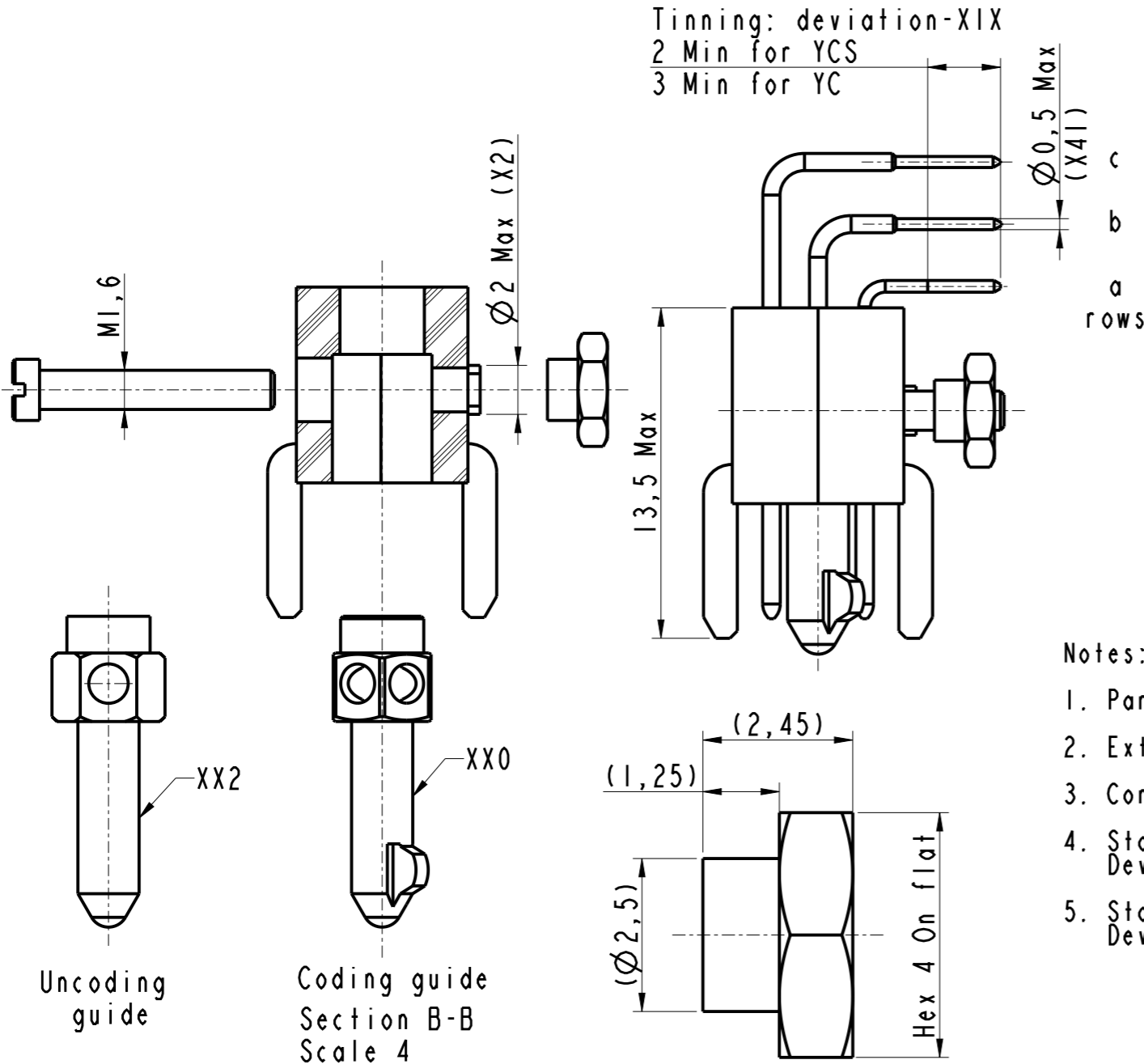
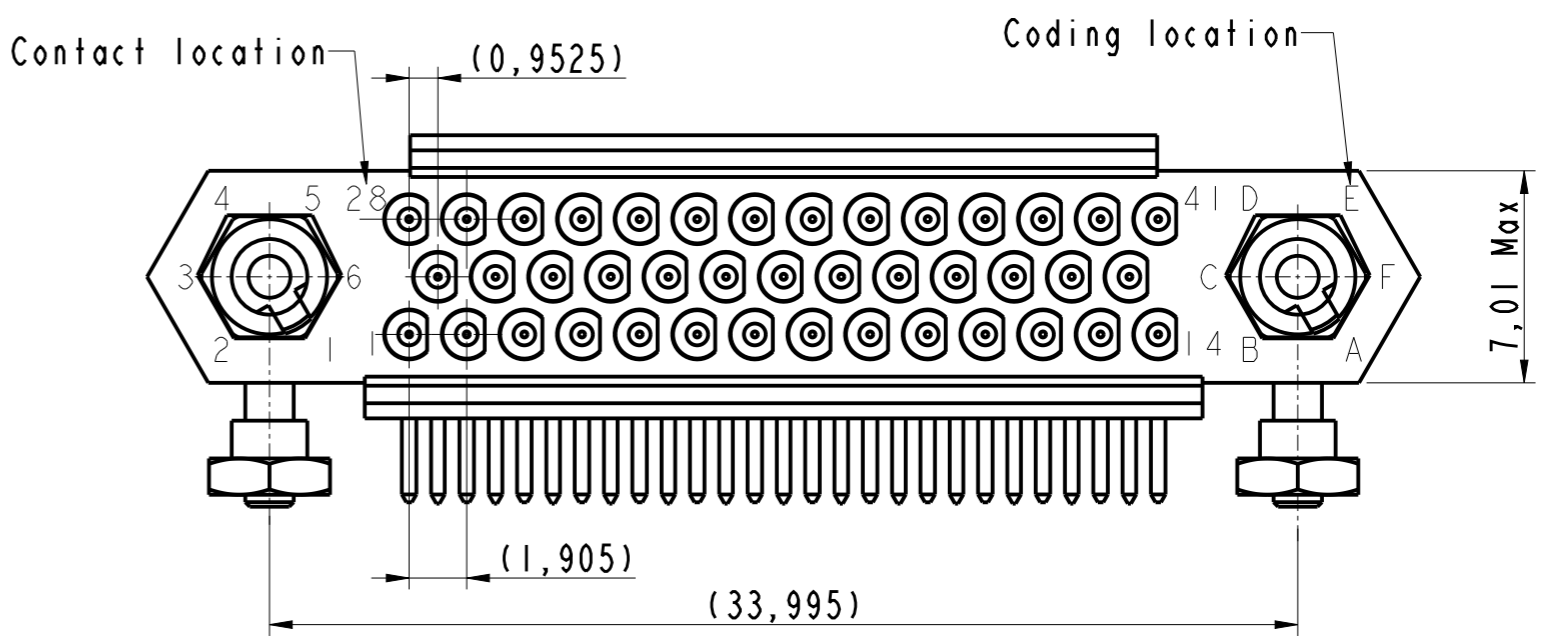
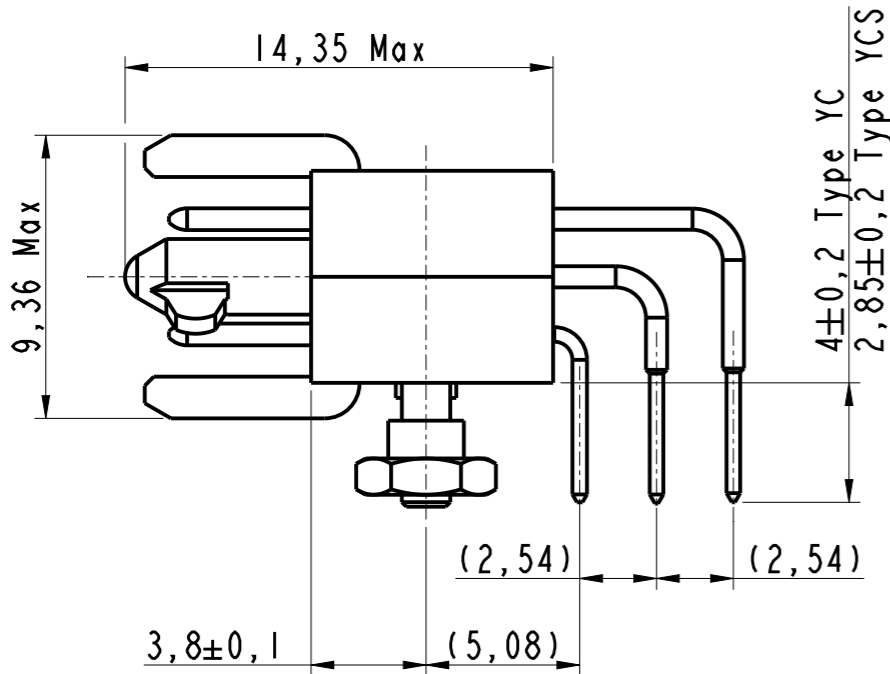


IN THE CONSTANT PURPOSE OF IMPROVING ITS PRODUCTS, AMPHENOL SOCAPEX RESERVES THE RIGHT TO MODIFY ANY DIMENSION OR CHARACTERISTICS.  
FM.NPD.0036.THYEZ.PUNE rev C



- Notes:
- Part : HDAS F 041 YCX -XXX XX
  - External dimensions for a male plug with 41 signal contacts type YCX
  - Connector delivered with fittings not assembled, coupling torque : 0,15 Nm
  - Standard OXX : Nickel plated over brass fittings.  
Deviation IXX : Passivated stainless steel fittings.
  - Standard XOX : Contacts gold plated (RoHS)  
Deviation XIX : Contacts fail Hot dip tinned SnPb (non RoHS) or SnAg (RoHS)

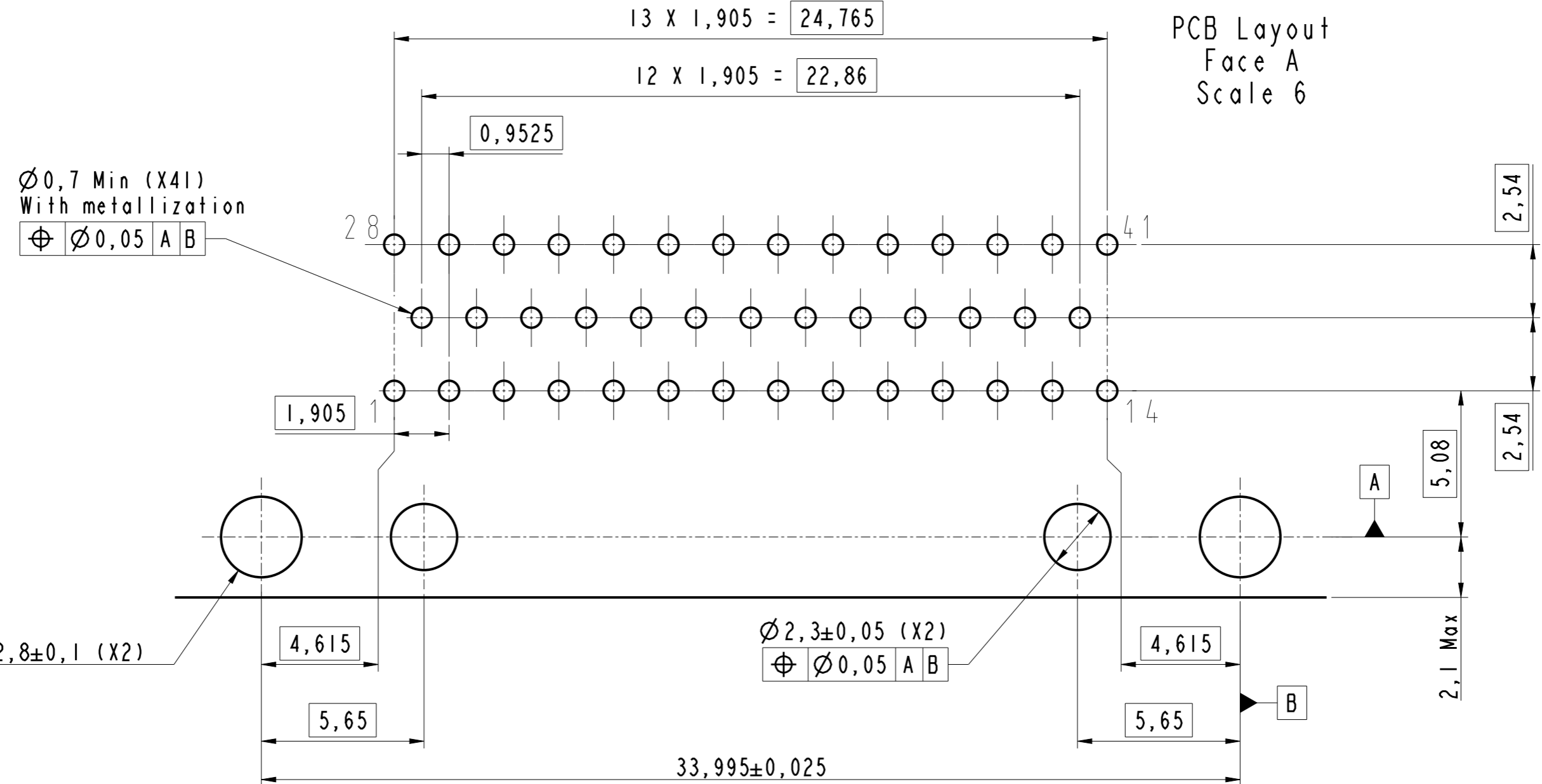
Uncoding guide

Coding guide  
Section B-B  
Scale 4

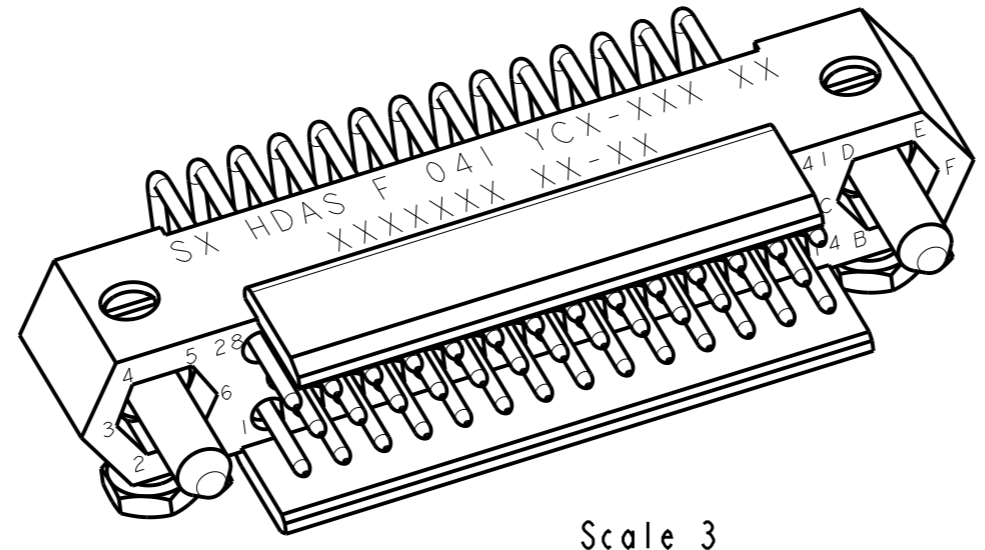
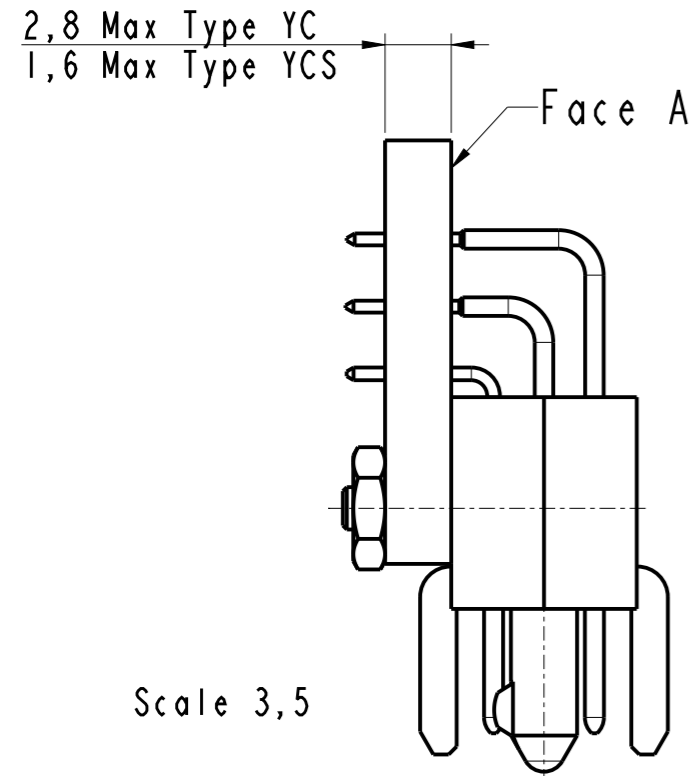
Shoulder nut  
Scale 10

|                          |  |                           |  |                                 |   |
|--------------------------|--|---------------------------|--|---------------------------------|---|
| DRAWN BY: S Satpute      |  | UPDATED BY: S Satpute     |  | LAST APPROVED BY: T Carrier     |   |
| ALL DIMENSIONS ARE IN MM |  | AMPHENOL SOCAPEX          |  | ORIGINAL DRAWING DATE: 10/12/18 | CONFIGURATION DATA ARE AVAILABLE IN PDM |
| SCALE: 4                 |  |                           |  | REV: F                          | PAGE: 1/2                               |
|                          |  | B.P. 29 74311 THYEZ CEDEX |  | 169-PLC-1425-00                 |   |

IN THE CONSTANT PURPOSE OF IMPROVING ITS PRODUCTS, Amphenol Socapex reserves the right to modify any dimension or characteristics. FM.NPD.0036.THYEZ.PUNE rev C



PCB Layout  
Face A  
Scale 6



|                          |  |  |  |                                  |   |
|--------------------------|--|--|--|----------------------------------|---|
| DRAWN BY : S Satpute     |  | UPDATED BY : S Satpute                               |  | LAST APPROVED BY : T Carrier     |   |
| ALL DIMENSIONS ARE IN MM |  | <b>AMPHENOL SOCAPEX</b><br>B.P. 29 74311 THYEZ CEDEX |  | ORIGINAL DRAWING DATE : 10/12/18 | CONFIGURATION DATA ARE AVAILABLE IN PDM |
| SCALE : 6                |  |  |  | REV : F                          | PAGE : 2/2                              |
|                          |  |  |  | <b>169-PLC-1425-00</b>           |   |