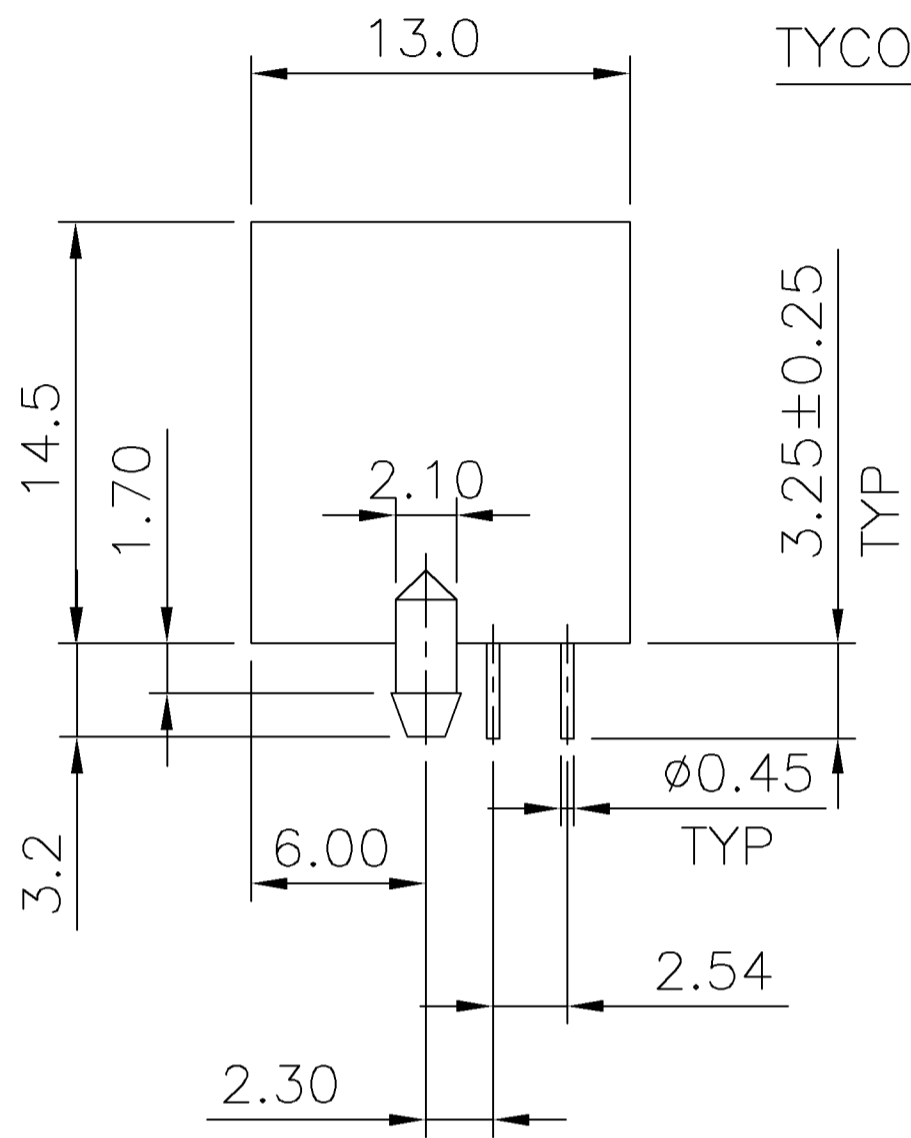
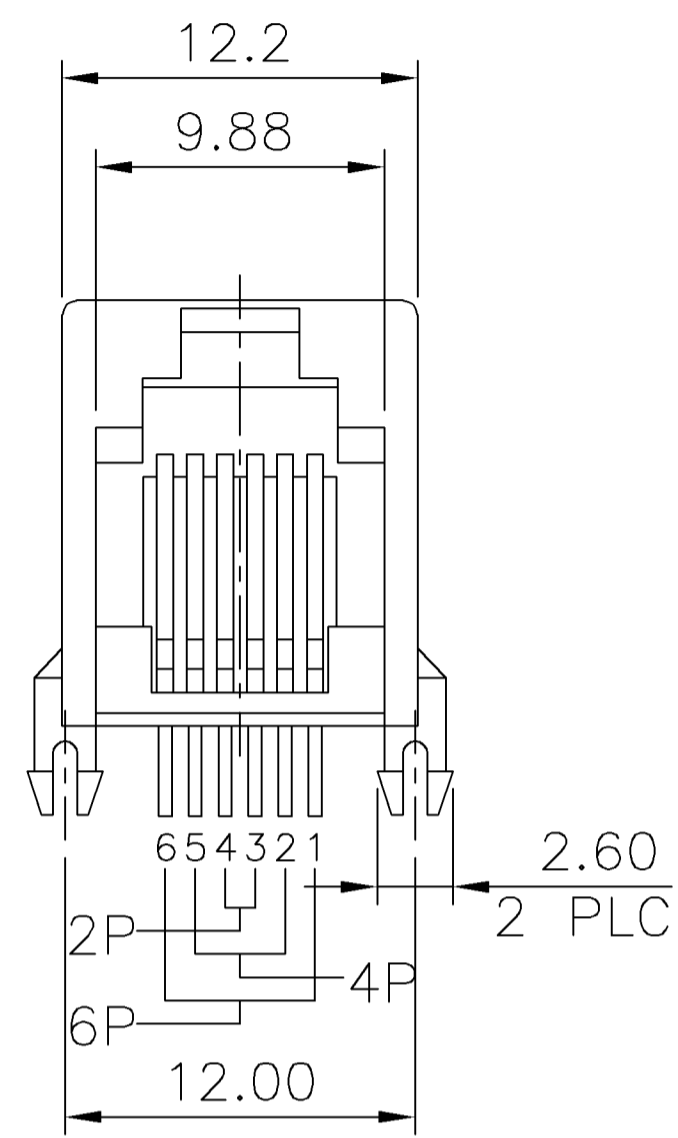
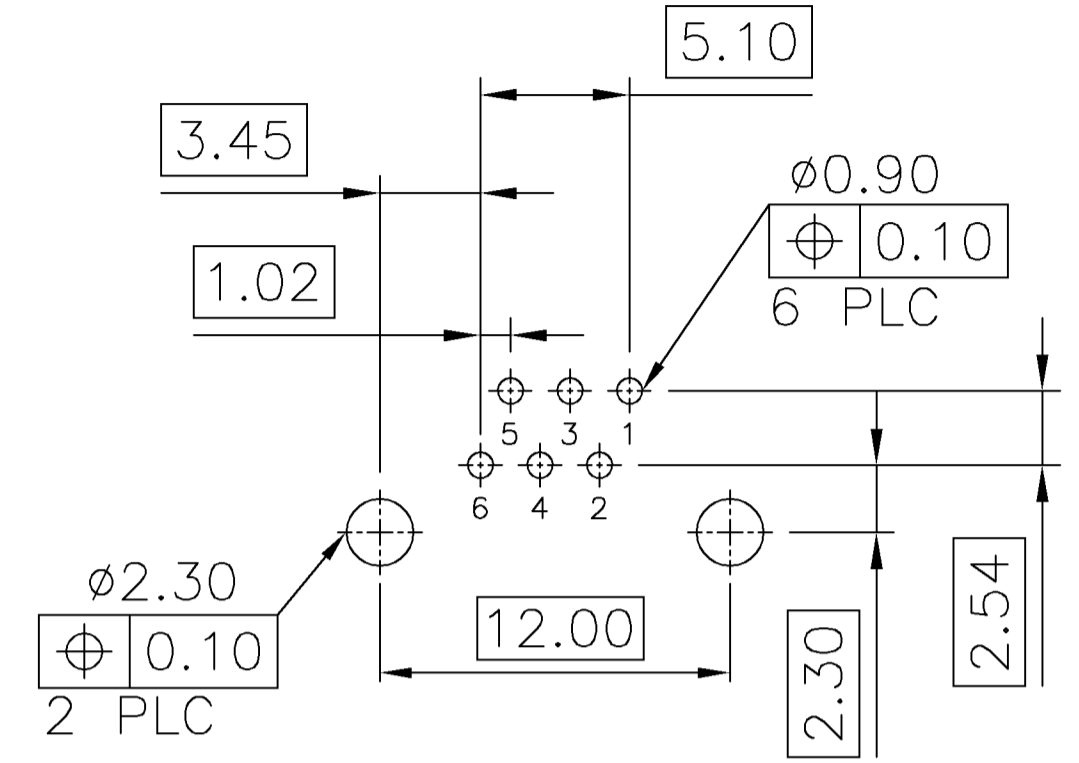
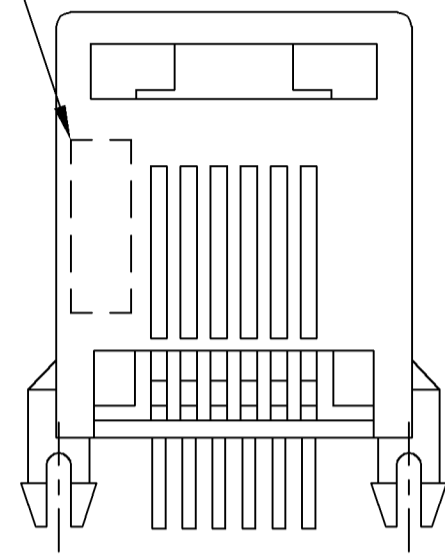


THIS INFORMATION IS CONFIDENTIAL AND IS DISCLOSED TO YOU ON CONDITION THAT NO FURTHER DISCLOSURE IS MADE BY YOU TO OTHER THAN AMP PERSONNEL WITHOUT WRITTEN AUTHORIZATION FROM AMP (TAIWAN) LTD. DIMENSIONS IN MILLIMETERS. DO NOT SCALE PRINT.

NUMBER C-1775445  
METRIC  
3RD ANGLE PROJECTION



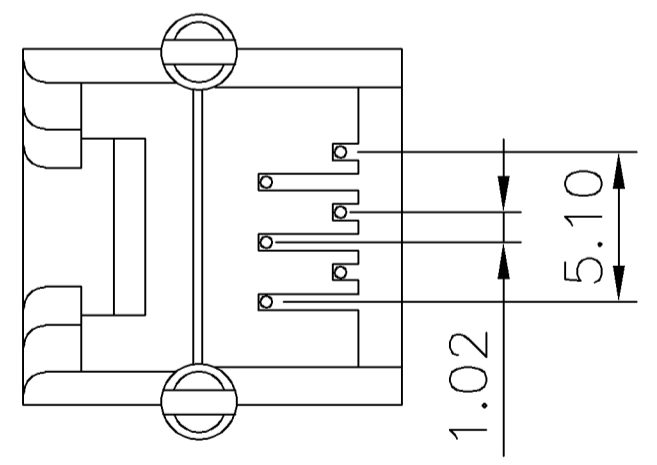
TYCO LOGO



RECOMMENDED PCB LAYOUT (THICKNESS: 1.6mm)  
DIMENSION TOLERANCE: 1 PLC: ±0.1 2PLC: ±0.05

NOTE:

- MATERIAL:  
HOUSING: THERMOPLASTIC, UL94V-0, COLOR: BLACK.  
CONTACT: PHOSPHOR BRONZE, DIAMETER: 0.45mm.
- FINISH:  
CONTACT: GOLD PLATED (SEE TABLE) ON SOLDER TAILS,  
50u" MIN. NICKEL UNDERPLATED ALL OVER.
- WAVE SOLDER CAPABLE TO 265°C PER TYCO SPEC 109-202,  
CONDITION B.



6P6C	50μ"	1775445-4
	30μ"	1775445-3
	15μ"	1775445-2
	6μ"	1775445-1
POS/CONT.	MIN. GOLD THICKNESS	PART NUMBER

TOLERANCES UNLESS OTHERWISE SPECIFIED: 0 PLC ±0.5 1 PLC ±0.3 2 PLC ±0.2 3 PLC ±0.1 ANGLES ±3'	DWN O. HU 12-SEP-2006	TYCO HOLDINGS (BERMUDA) VII LTD. TAIWAN BRANCH			
	CHK S. HOU 12-SEP-2006				
MATERIAL  SEE NOTE	APVD W.J. KE 12-SEP-2006	NAME  MODULAR JACK, RJ11, LOW PROFILE			
	PRODUCT SPEC 108-57527				
FINISH  SEE NOTE	QUALIFICATION TEST REPORT 501-57734	LOC DW	SIZE A <sub>3</sub>	DRAWING NO C-1775445	REV A
	WEIGHT 1.6 gram	SCALE --		SHEET 1 OF 2	

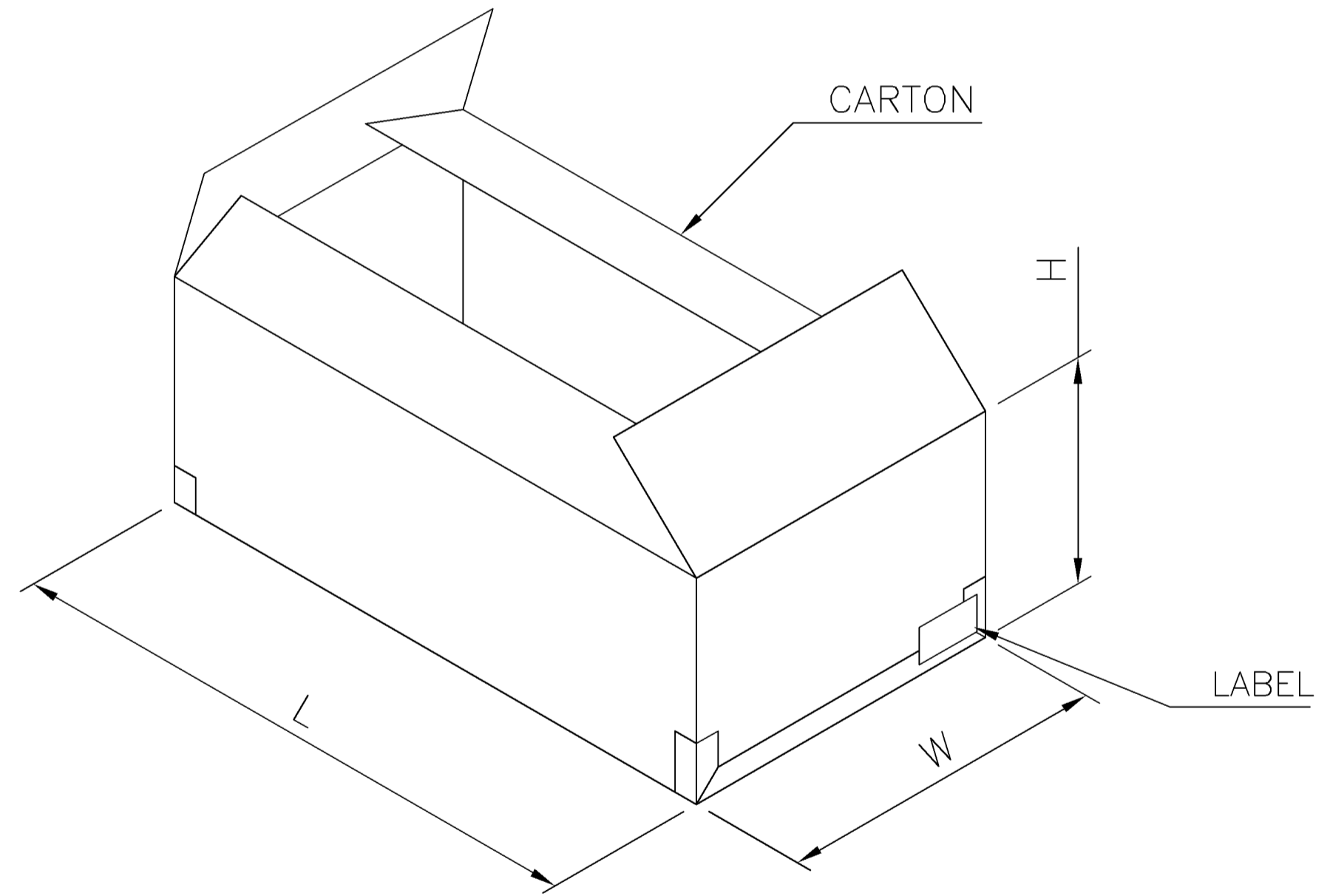
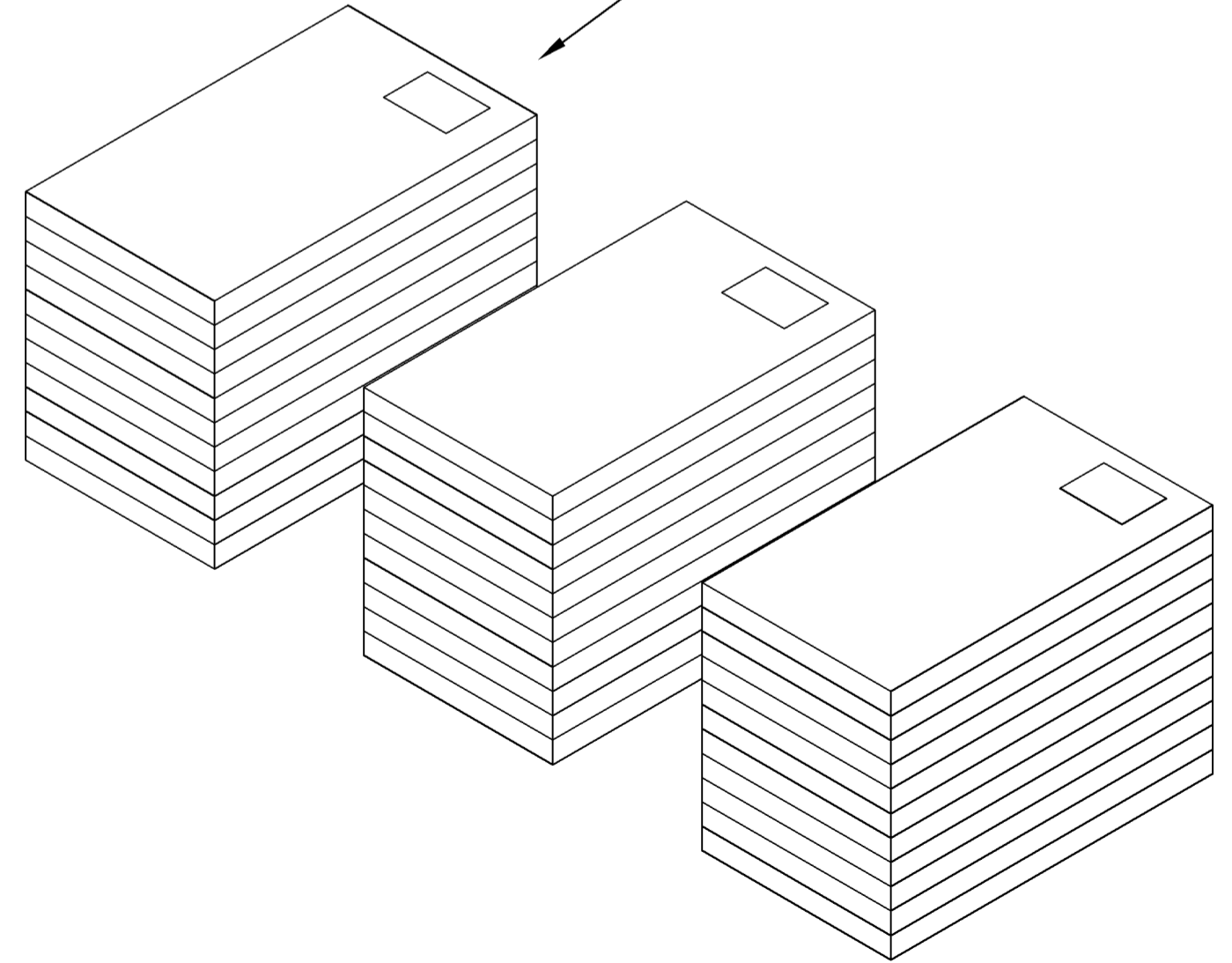
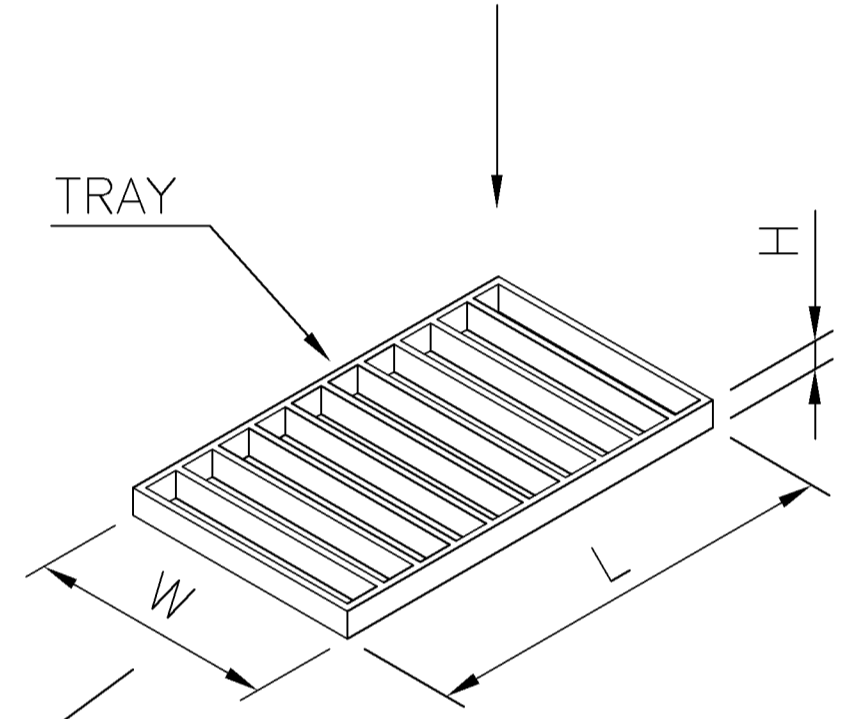
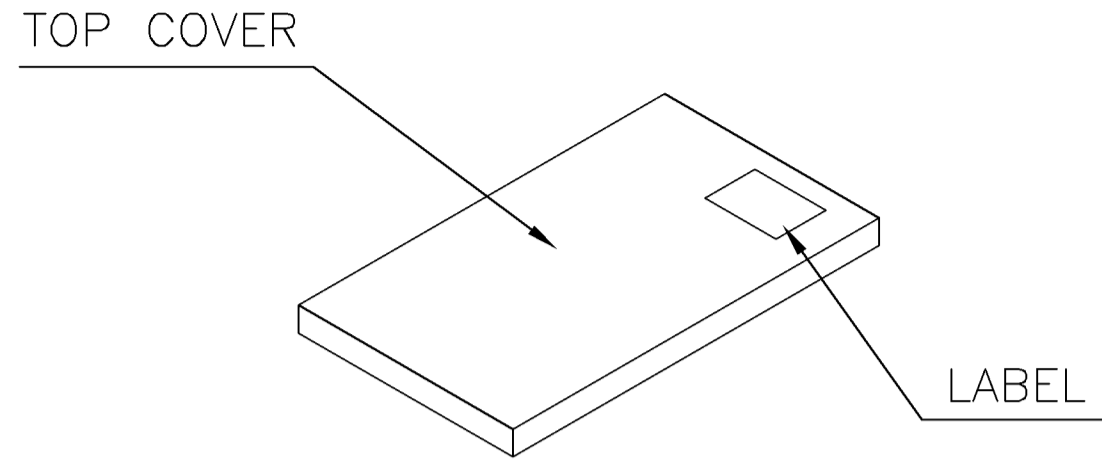
A	FIRST RELEASED	OH SH 10AUG 2006
LTR	REVISION RECORD	ECN DWN CHK DATE

PRINT DIST  
DW

NUMBER  
C-1775445



METRIC



- NOTES:
1. MATERIAL:
    - 1.1 TRAY:PVC
    - 1.2 SHIPPING CARTON: CORRUGATED FIBERBOARD
  2. DIMENSION:
    - 2.1 TRAY: L=290mm, W=170mm, H=16mm.
    - 2.2 SHIPPING CARTON: L=560mm, W=310mm, H=210mm.
  3. QUANTITY:
    - 3.1 PRIMARY PACKING: 120 PCS/TRAY
    - 3.2 SECONDARY PACKING: 33 TRAY/CARTON (3,960 PCS)
  4. WEIGHT
    - 4.1 NET WEIGHT: 6.5 Kg (Ref.)
    - 4.2 GROSS WEIGHT: 8 Kg (Ref.)

THIS INFORMATION IS CONFIDENTIAL AND IS DISCLOSED TO YOU ON CONDITION THAT NO FURTHER DISCLOSURE IS MADE BY YOU TO OTHER THAN AMP PERSONNEL WITHOUT WRITTEN AUTHORIZATION FROM AMP (TAIWAN) LTD. DIMENSIONS IN MILLIMETERS. DO NOT SCALE PRINT.

PRINT DIST  
DW

SEE SHEET 1.	ECN	DWN	CHK	DATE
LTR	REVISION RECORD			

TOLERANCES UNLESS OTHERWISE SPECIFIED:		DWN	O. HU	<b>tyco</b> TYCO HOLDINGS (BERMUDA)	
0 PLC	±0.5		12-SEP-2006	VII LTD. TAIWAN BRANCH	
1 PLC	±0.3	CHK	S. HOU	<b>Electronics</b>	
2 PLC	±0.2		12-SEP-2006	NAME	
3 PLC	±0.1	APVD	W.J. KE	MODULAR JACK, RJ11, LOW PROFILE	
ANGLES	±3'		12-SEP-2006		
MATERIAL	SEE NOTE	PRODUCT SPEC	--	LOC	SIZE
FINISH	SEE NOTE	APPLICATION SPEC	--	DW	A <sub>3</sub>
		WEIGHT	--	DRAWING NO	C-1775445
				REV	A
				SCALE	--
				SHEET	2 OF 2