



Single Port RJ45 Connector

ARA009-3252I

- 10/100 Base-T Ethernet Application
- Impedance: 100OHMS
- RJ45 jack cavity conforms to FCC rules and regulations Part 68, SUB Part F
- Industrial Operating Temp: -40°C to +85°C
- Available in other Circuit Designs
- Optional Gold Plating Thickness
- Other LED Patterns available



Electrical Specifications @ 25°C

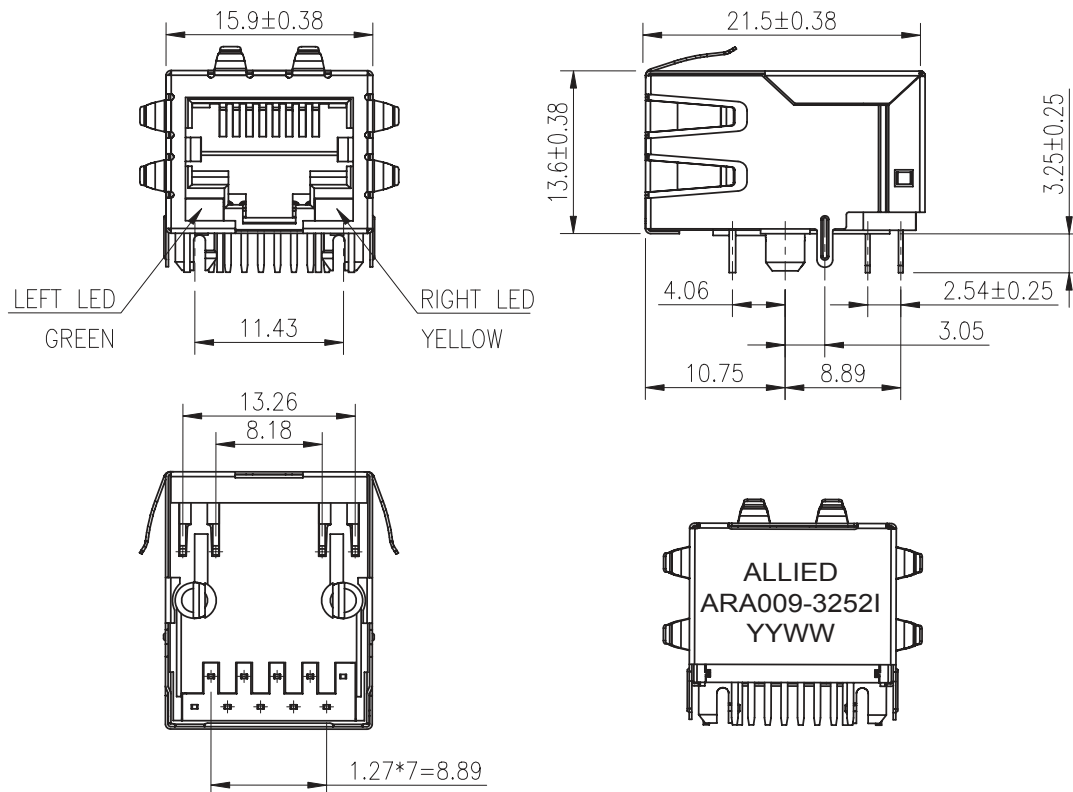
Part Number	OCL(μH Min) @100KHz, 0.1V	Turns Ratio (±2%)		Insertion Loss (dB Max)	CMR (dB Min)	CDMR (dB Min)
	With 8mA DC Bias	P1-P2:J1-J2	P3-P4:J3-J6	1-100MHz	1-100MHz	1-100MHz
ARA009-3252I	350	1CT:1CT	1CT:1CT	-1.0	-30	-40

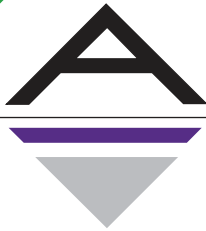
Electrical Specifications @ 25°C

Part Number	Return Loss (dB Min)				Cross Talk (dB Min)	HI-POT (Vrms) 1mA, 60s
	1-30MHz	30-60MHz	60-80MHz	80-100MHz	1-100MHz	
ARA009-3252I	-18	-16	-12	-10	-30	1500

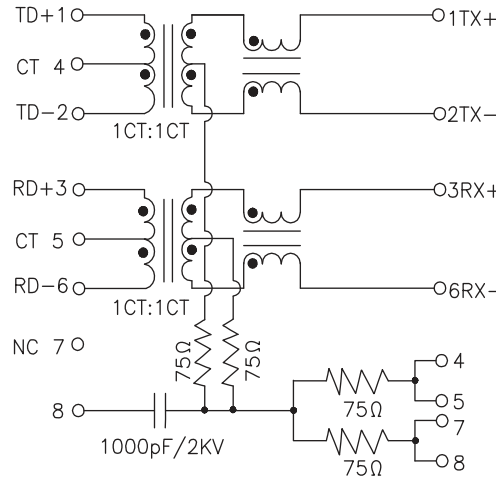
All specifications subject to change without notice.

MECHANICAL



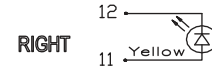
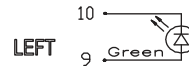


SCHEMATICS

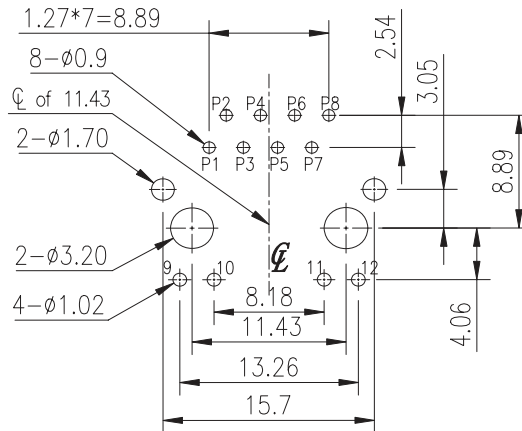


STANDARD LED	WAVELENGTH	FORWARD VOLTAGE
GREEN	565nm	2.5V MAX
YELLOW	585nm	2.5V MAX

With a forward current of 20mA



PCB LAYOUT



RECOMMENDED PCB LAYOUT
TOLERANCE ±0.05mm(T=1.6mm)

NOTES

1. Shielded - 0.20mm Thickness Brass C2680 H. Plating Nickel 20u"MIN.
2. Housing- Plastic:Nylon 66,Glass Fiber Filled UL94V-0 , Color Black.
3. Contact Pin- Plastic:Nylon 66,Glass Fiber Filled UL94V-0 , Color Black. Pin:0.35mm Thickness Phosphor Bronze C5210 EH. Plating:Nickel 30u"~60u" For All And Sn 100%, And Gold Plating 6u".
4. Insert Pin- Plastic:Nylon 66,Glass Fiber Filled UL94V-0 , Color Black. Pin:0.35mm Thickness SUS430. Plating:Sn All Over 30u"~60u" Nickel