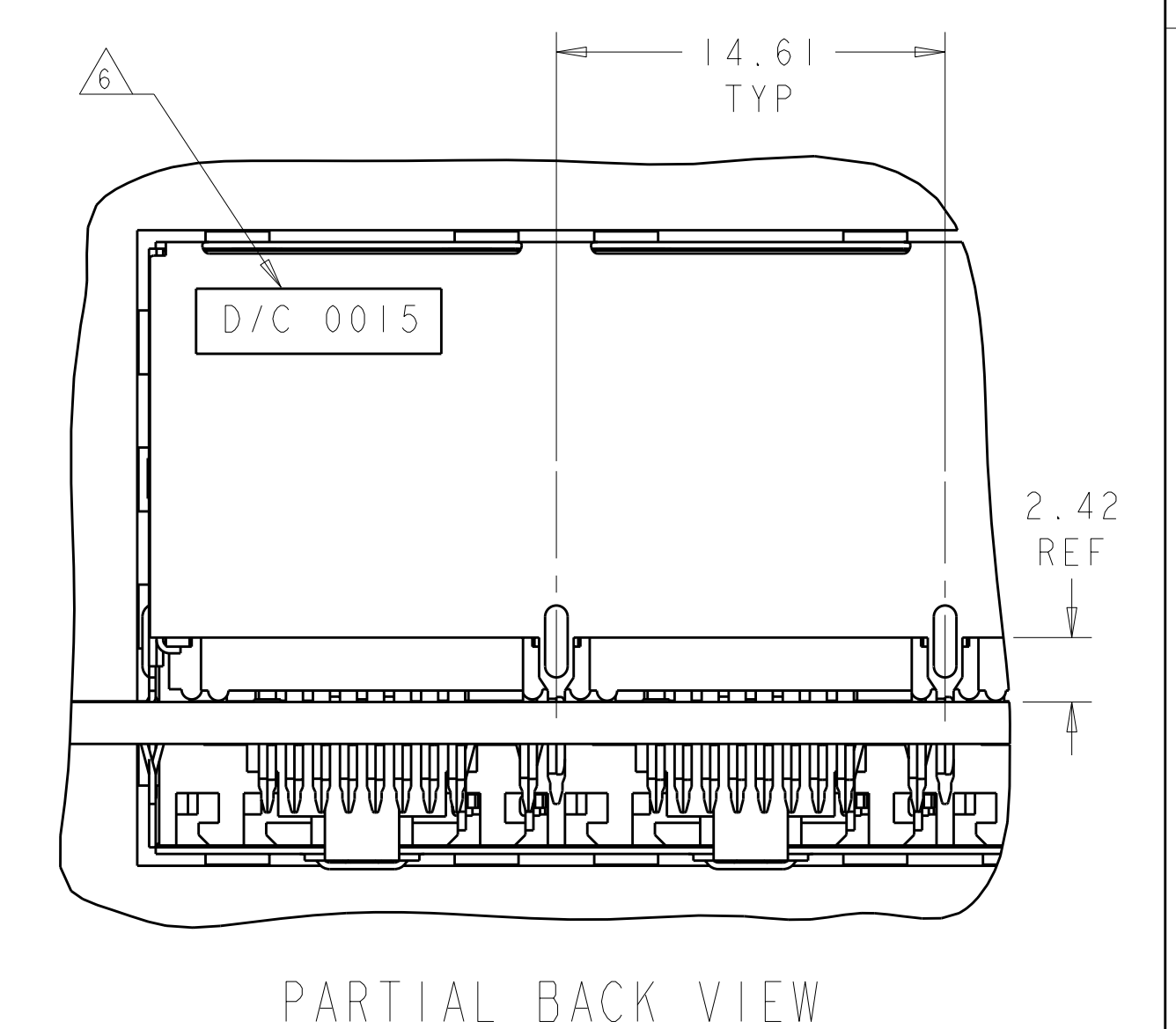
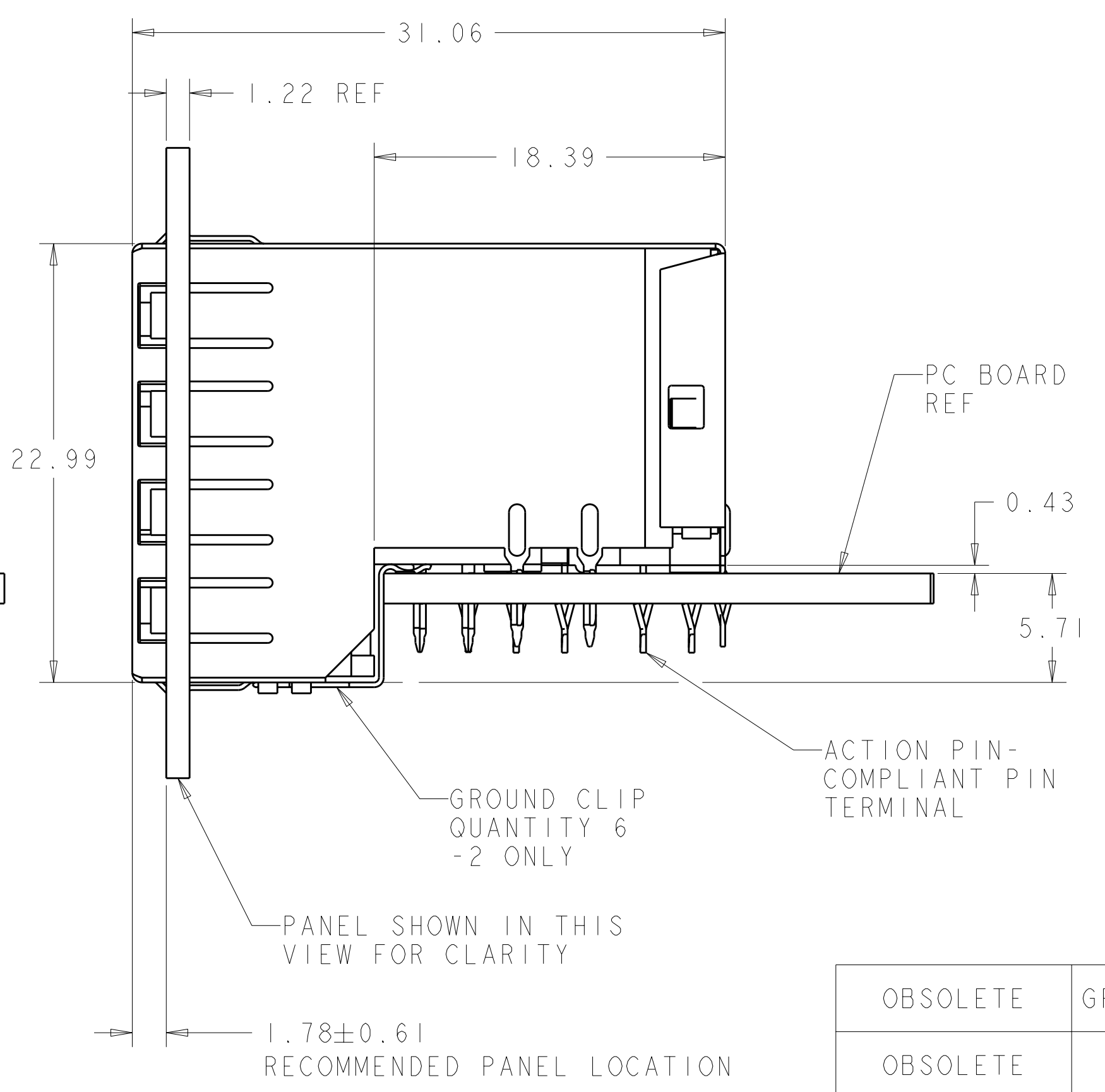
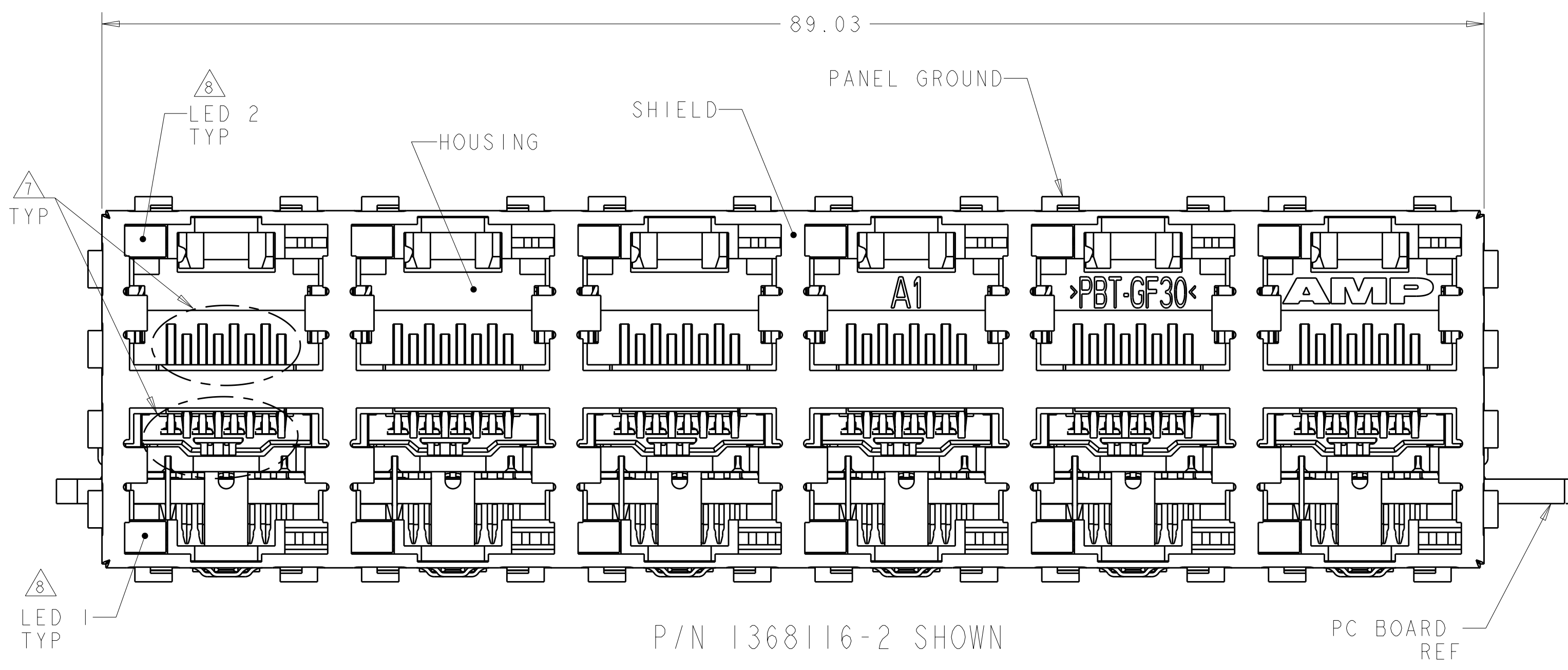


LOC	DIST	REV	DESCRIPTION	DATE	DWN	APVD
AA	00	F	ECO-06-027808	03MAY2007	LAM	JW
		G	ECO-11-021476	26OCT2011	JJ	MOW

SUPERSEDED BY:
6368116

1. MATERIAL:
 - HOUSING**
PBT POLYESTER, BLACK, UL 94V-0.
 - TERMINALS**
0.33 THICK PHOSPHOR BRONZE PLATED WITH 1.27µm MINIMUM THICK HARD GOLD IN LOCALIZED AREA AND 3.81µm MINIMUM THICK TIN-LEAD IN ACTION PIN COMPLIANT PIN TERMINAL AREA OVER 1.27µm MINIMUM THICK NICKEL UNDERPLATE.
 - SHIELD**
0.25 THICK COPPER ALLOY PLATED WITH 2.03µm MIN BRIGHT TIN OVER 1.27µm MINIMUM NICKEL.
 - LIGHT EMITTING DIODE (LED)**
DIFFUSED EPOXY LENS, 12.95 CARBON STL WIREFRAME LEADS PREPLATED WITH 8.89µm Sn/Cu OVER 2.03µm THICK Ag OVER 1.02µm THICK Cu OVER 3.56µm Ni OVER 1.02µm THICK Cu UNDERPLATE
 - LED ACTION PIN - COMPLIANT PIN CONTACTS 0.3 THICK**
BRASS PLATED WITH 2-4µm BRIGHT TIN.
2. JACK CAVITY CONFORMS TO FCC RULES AND REGULATIONS, PART 68 SUBPART F.
3. ALL DIMENSIONS ARE NOMINAL UNLESS OTHERWISE SPECIFIED.
4. DRILLED HOLE DIA = 1.02±.025.
COPPER THICKNESS = 0.025-0.075.
TIN-LEAD THICKNESS = 0.008 MIN.
5. DATUMS AND BASIC DIMENSIONS ESTABLISHED BY CUSTOMER.
6. DATE CODE LOCATED ON REAR OF PART APPROXIMATELY AS SHOWN.
7. CONTACTS ARE NOT INTENDED TO BE ALIGNED WITH EACH OTHER.
8. SUGGESTED OPERATING CURRENT FOR LEDS IS 20 mA.

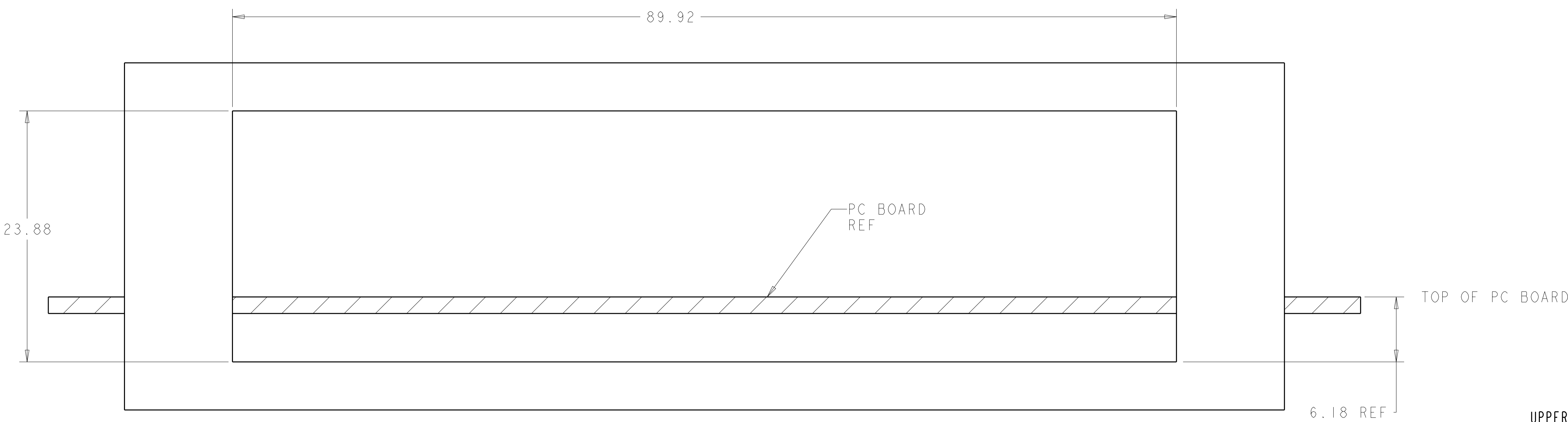


OBSELETE	LED COLOR	DESCRIPTION	PART NUMBER
OBSELETE	GREEN/YELLOW	LEFT HAND LED'S ONLY	1368116-3
OBSELETE	GREEN	LEFT HAND LEDs WITH GROUND CLIPS	1368116-2
OBSELETE	GREEN	LEFT HAND LEDs ONLY	1368116-1

THIS DRAWING IS A CONTROLLED DOCUMENT.

DIMENSIONS:	TOLERANCES UNLESS OTHERWISE SPECIFIED:	DWN J. AHERON 02NOV00	TE Connectivity
mm	9 PLC ±.13 2 PLC ±0.13 5 PLC ±.13 4 PLC ±. ANGLES ±1°	CHK E. LAURER 02NOV00 APVD F. LAURER 02NOV00 PRODUCT SPEC 108-1854 APPLICATION SPEC 114-2160 WEIGHT - CUSTOMER DRAWING	
MATERIAL SEE NOTE 1	FINISH SEE NOTE 1	NAME OFFSET STACKED MOD JACK ASSEMBLY 2 X 6, 8 POSITION, RJ45, SHIELDED, PANEL GROUND, WITH LEFT LED, CAT 5 SIZE CAGE CODE DRAWING NO. RESTRICTED TO A100779C=1368116 SCALE 4:1 SHEET 1 OF 2 REV G	

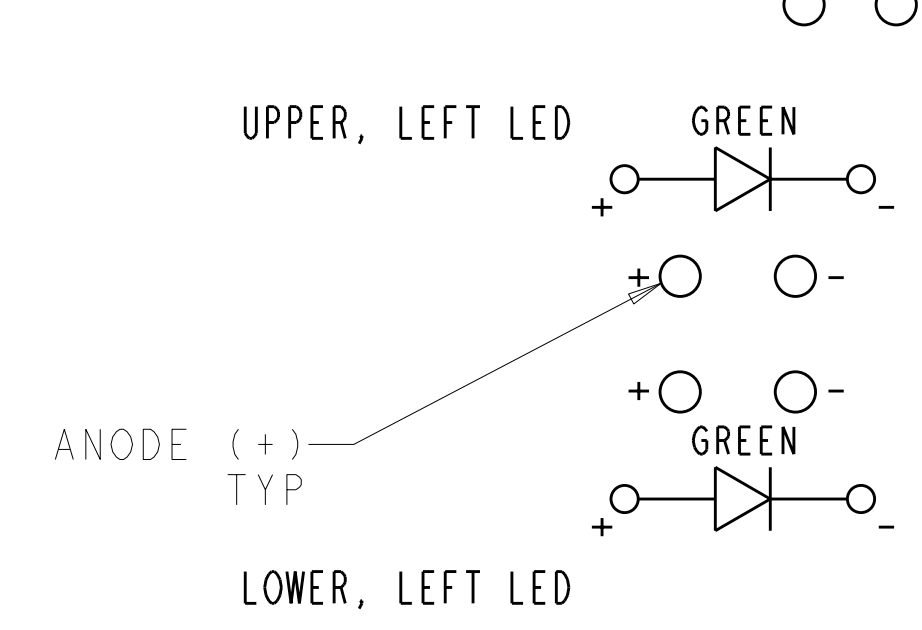
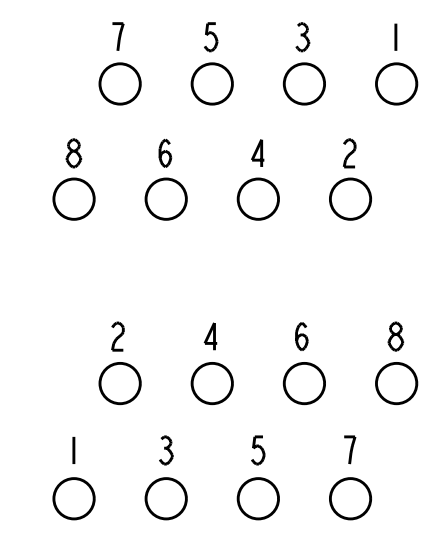
LOC	DIST	REV	DATE	BY	APPV
AA	00	1			
REVISIONS					
DESCRIPTION			DATE	BY	APPV
SEE SHEET 1					



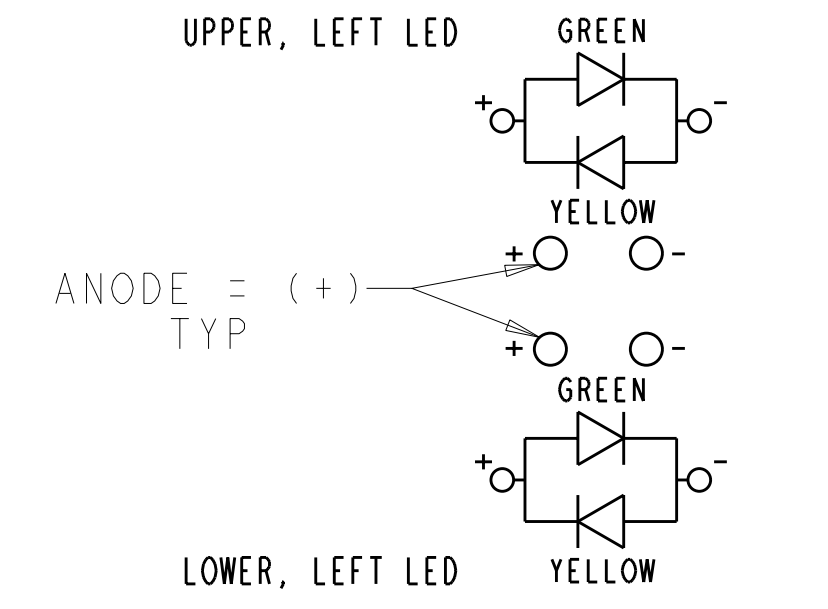
RECOMMENDED PANEL CUT-OUT

SUPERSEDED BY:

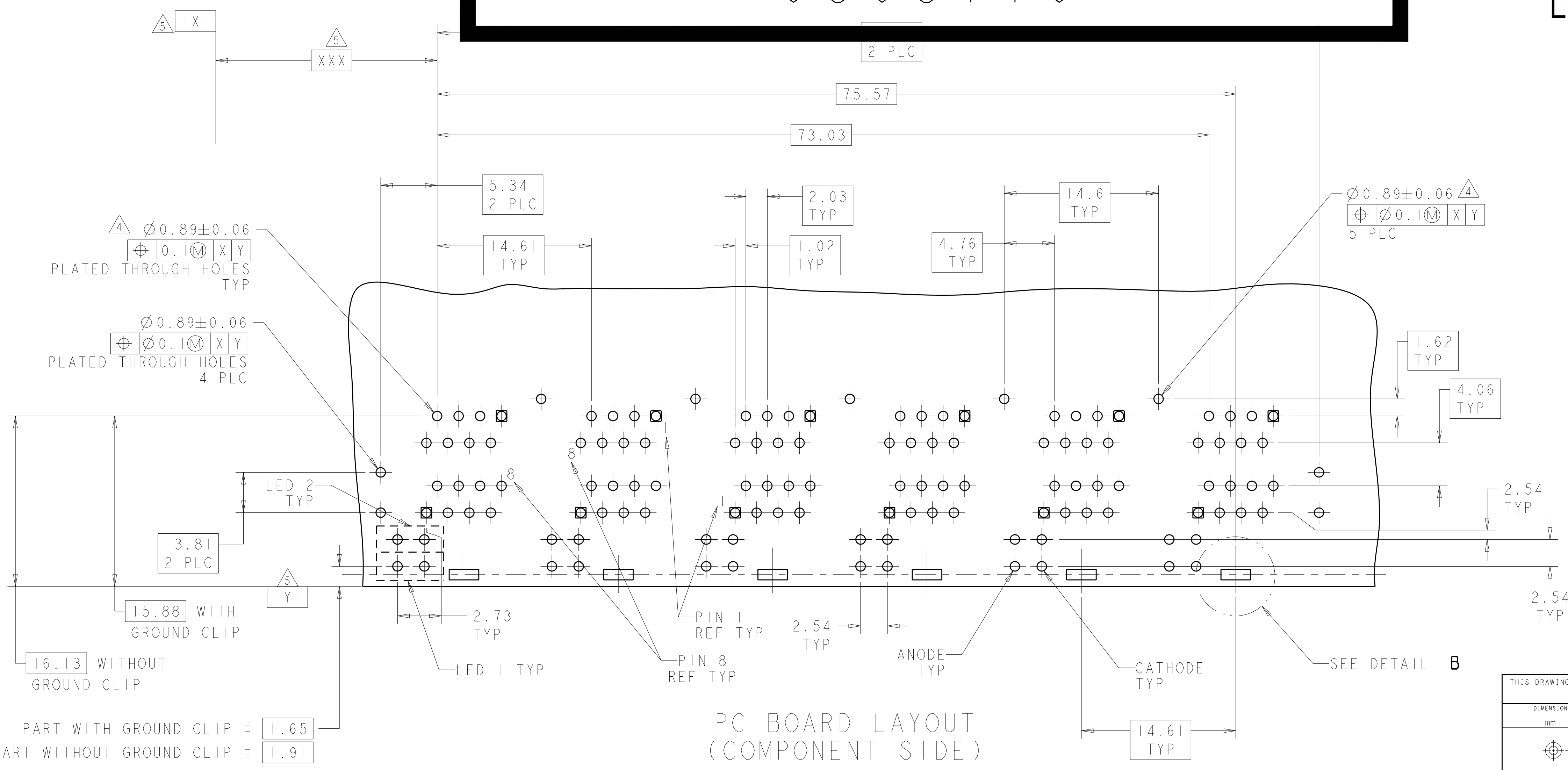
6368116



1368116-1, -2
LED SCHEMATIC

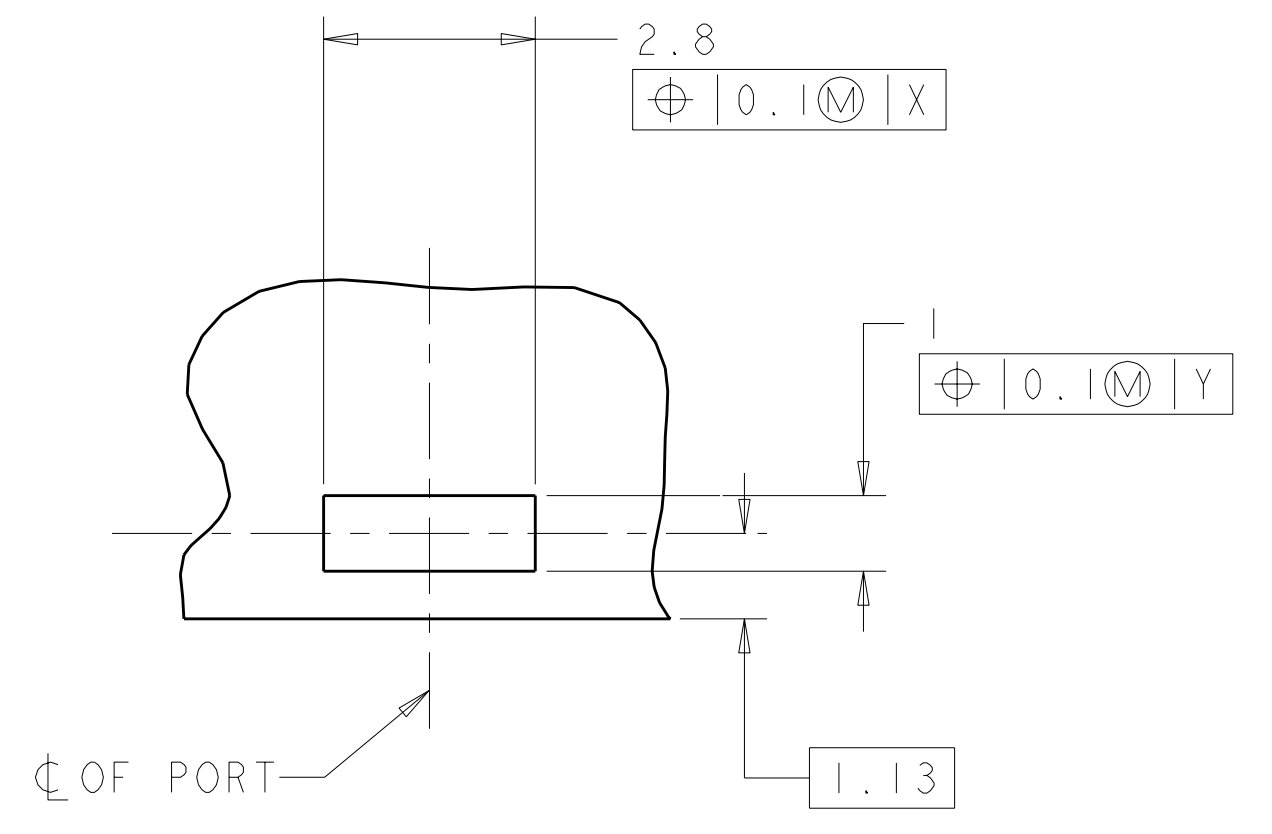


1368116-3
LED SCHEMATIC



PART WITH GROUND CLIP = 1.65
PART WITHOUT GROUND CLIP = 1.91

PC BOARD LAYOUT
(COMPONENT SIDE)



DETAIL B
THESE PLATED PADS REQUIRED FOR 1368116-2
PRODUCT WITH GROUNDING CLIPS
SCALE 10:1
6 PLACES

THIS DRAWING IS A CONTROLLED DOCUMENT.		DWN: J. AHERON 02NOV00	STE TE Connectivity
DIMENSIONS: mm		CHK: E. LAURER 02NOV00	
TOLERANCES UNLESS OTHERWISE SPECIFIED:		APVD: E. LAURER 02NOV00	NAME: OFFSET STACKED MOD JACK ASSEMBLY 2 X 6, 8 POSITION, RJ45, SHIELDED, PANEL GROUND, WITH LEFT LED, CAT 5
9 PLC ± .13		PRODUCT SPEC: 108-1854	
1 PLC ± .13		APPLICATION SPEC: 114-2160	SIZE: CAGE CODE DRAWING NO: A1100779
2 PLC ± .13		WEIGHT: -	RESTRICTED TO: -
3 PLC ± .13		FINISH: SEE NOTE 1	SCALE: 4:1
4 PLC ± .13		MATERIAL: SEE NOTE 1	SHEET: 2 OF 2
ANGLES ± 1°		CUSTOMER DRAWING	REV: G