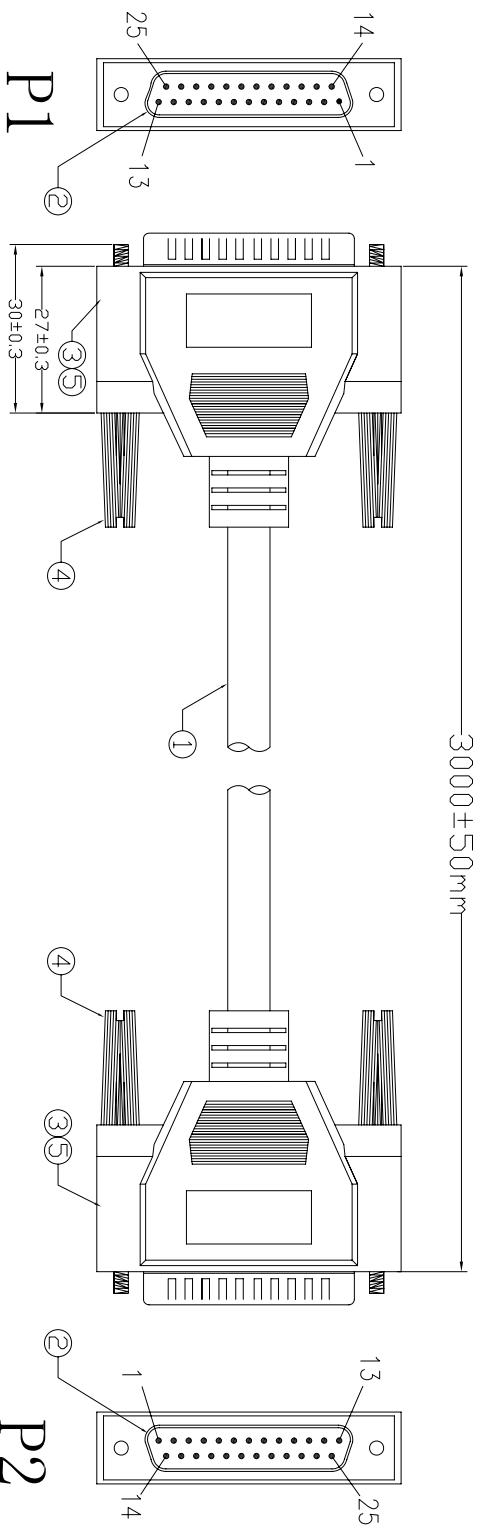


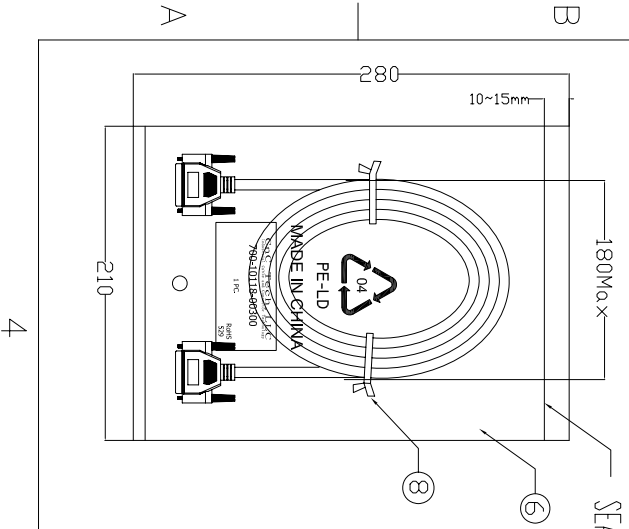
Units: mm



Electrical test:
 1. 100% short open, miswire test
 2. Conduct resistance: 5 Ohm(max)
 3. Insulation resistance: 10Mohm(min)
 4. dielectric test: DC 300V

PIN ASSIGNMENT	
P1 1	棕
P1 18	棕/黑
P1 2	红
P1 19	红/黑
P1 3	橙
P1 19	橙/黑
P1 4	黄
P1 20	黄/黑
P1 5	绿
P1 20	绿/黑
P1 6	蓝
P1 21	蓝/黑
P1 7	紫
P1 21	紫/黑
P1 8	白
P1 22	白/黑
P1 9	粉红
P1 22	粉红/黑
P1 10	棕/白
P1 24	棕/白
P1 11	橙/白
P1 23	橙/白
P1 12	绿/白
P1 24	绿/白
P1 13	紫/白
P1 24	紫/白
P1 14	蓝/白
P1 25	蓝/白
P1 15	橙/棕
P1 25	橙/棕
P1 16	绿/棕
P1 25	绿/棕
P1 15	蓝/棕
P1 23	蓝/棕
P1 23	紫/棕
P1 17	棕/红
P1 25	棕/红
SHELL	DRAIN+BRAID
SHELL	SHELL

NO.	NAME	Q'TY	SPECIFICATION
①	CABLE	1	UL20276 28AWG(7/0.12TC)+18P+D(26AWGTG)+AL/WY+BRAID(85%) 007.5±0.15mm
②	CONN	2	DB 25P MALE SODER TYPE PIN G/F SHELL NI-PLATED INSULATOR COLOR:BLUE
③	IN JACKET	18g	CLEAR LD-PE (Mould NO.:NM-33)
④	SCREW	4	#4-40UNC TYPE L=30mm,NICKEL PLATED,MOLD:BEIGE(V-29) ABS
⑤	TUBE	2	HEAT SHRINK TUBE BLACK OD1.5*20MM
⑥	PE BAG	1	CLEAR SIZE:210*30*0.05mm PRINT BLACK"MADE IN CHINA"+"IPC"及印生产周期,有透气孔.
⑦	PE BAG	1/5	CLEAR SIZE: 360*380*0.05mm PRINT BLACK"MADE IN CHINA"+ "SPCS"及印生产周期,有透气孔.
⑧	TIE	2	WHITE L=150mm



CNC Tech, LLC
 Industrial Cable and Connector Technology

DRAWN BY	ZHONGHS	DRAWING NO.	
CHECKED BY		CUSTOMER	
APPROVAL BY		ITEM NO.	700-10118-00300
DECIDE BY		DATE	2012-02-22
VERSIONS/EDITION	A/0	PROJECTION	