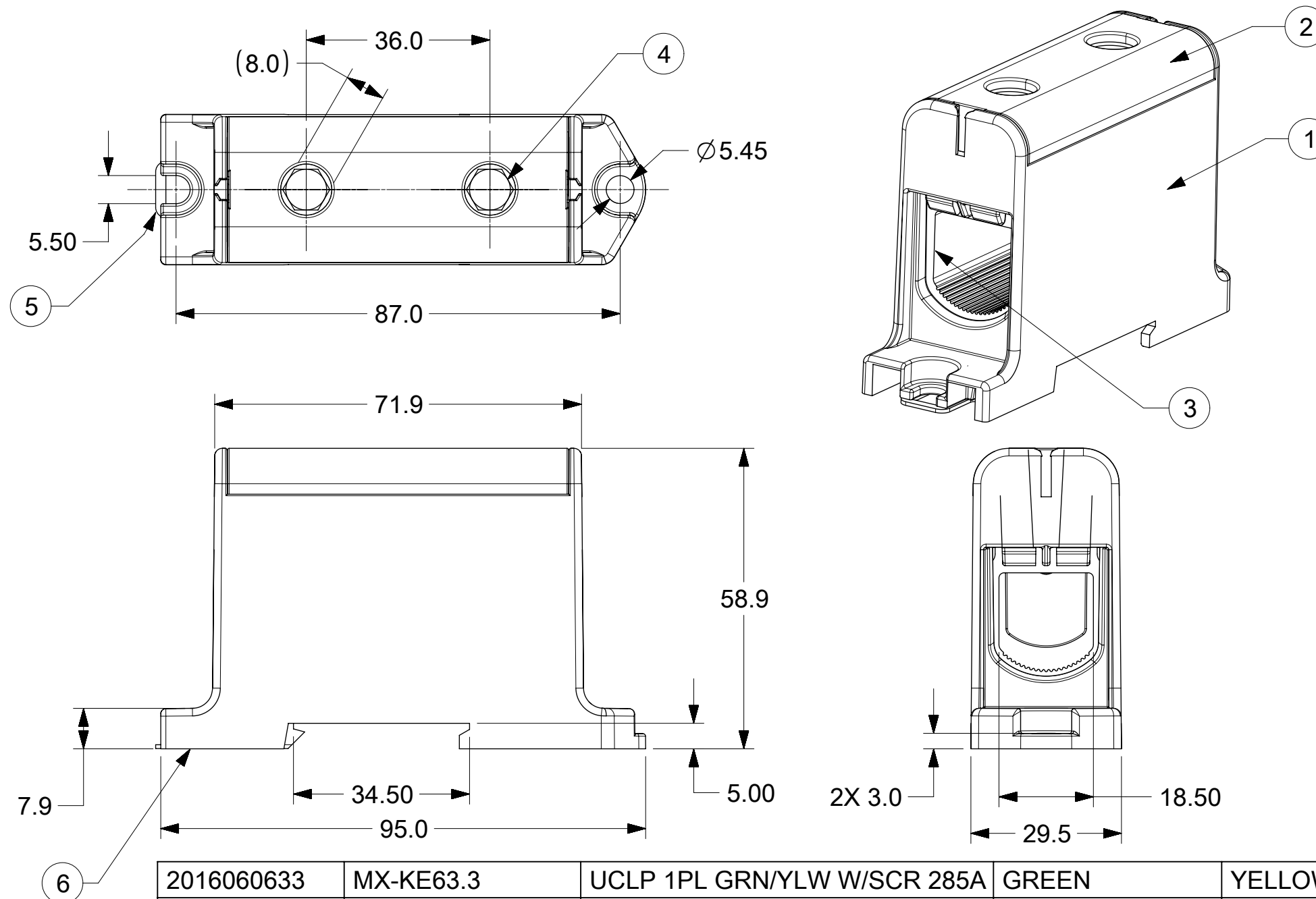


NOTES:

1. MOUNTING TYPE: 35mm DIN RAIL OR SCREW.
2. VOLTAGE: 600 V (UL).
3. CURRENT: Cu 285 A, Al 230 A (UL).
4. WIRE CROSS-SECTION RANGE, UL:
Cu/Al 2AWG-300mm² (33.6-300mm²) STRANDED.
Cu (2-3) X 2 AWG (2-3 X 33.6mm²) STRANDED.
Cu 2X 1/0 AWG (2X 53mm²) STRANDED.
5. HEAD CAP SCREW WITH 8mm HEXAGON SOCKET SIZE.
USE A TOOL WITH LENGTH ALLOWING FOR A FULL SCREW ENGAGEMENT.
6. RECOMMENDED TIGHTENING TORQUE:
216 Lb-In (24Nm).
7. ALL ELECTRICAL AND MECHANICAL SPECIFICATIONS ARE PER UL1059 AS NOTED IN MOLEX UL AGENCY APPROVAL.
8. THE SUITABILITY OF THESE TERMINALS SHALL BE DETERMINED IN THE END-USE INVESTIGATION.
- 9 AS ENVIRONMENTAL BARRIER DIELECTRIC GREASE MAY BE PRESENT IN THE WIRING CHAMBER. ENSURE TO USE THE RECOMMENDED TIGHTING TORQUE FOR ALL CONDUCTORS.



2016060633	MX-KE63.3	UCLP 1PL GRN/YLW W/SCR 285A	GREEN	YELLOW
2016060632	MX-KE63.2	UCLP 1PL GRY/BLU W/SCR 285A	GREY	BLUE
2016060630	MX-KE63	UCLP 1PL GRY/GRY W/SCR 285A	GREY	GREY
MATERIAL No.	ENGINEERING No.	DESCRIPTION	HOUSING COLOR	COVER COLOR

6	1	SPRING, LATCH	STEEL
5	1	LATCH, DIN	STEEL
4	2	SCREW, SET	ALUMINUM
3	1	CAGE	ALUMINUM
2	1	COVER	POLYAMIDE
1	1	HOUSING	POLYAMIDE
ITEM	QTY	DESCRIPTION	MATERIAL

THIS DRAWING CONTAINS INFORMATION THAT IS PROPRIETARY TO MOLEX ELECTRONIC TECHNOLOGIES, LLC AND SHOULD NOT BE USED WITHOUT WRITTEN PERMISSION

EC NO: 120665 DRWN: WLEUNG CHKD: DNGUYEN62 APPR: JFMURPHY	2017/08/14 2017/08/15 2017/08/18	GENERAL TOLERANCES (UNLESS SPECIFIED) DIMENSION UNITS: mm SCALE: 1:1			
	ANGULAR TOL ± ° 4 PLACES ± 3 PLACES ± 2 PLACES ± SEE CHART 1 PLACE ± SEE CHART 0 PLACES ±	DRWN BY: WLEUNG DATE: 2017/08/14 CHK'D BY: DNGUYEN62 DATE: 2017/08/15			
	DRAFT WHERE APPLICABLE MUST REMAIN WITHIN DIMENSIONS		APPR BY: JFMURPHY DATE: 2017/08/18	ME-KE63	
	DRAWING SIZE: B THIRD ANGLE PROJECTION	PRODUCT CUSTOMER DRAWING		SERIES: 201606 MATERIAL NUMBER: [blank] CUSTOMER: [blank]	
DOCUMENT NUMBER: 2016060630		DOC TYPE: PSD	DOC PART: 000	SHEET NUMBER: 1 OF 1	

TOLERANCE	>0.5=3	>3=6	>6=30	>30=120	>120=400
ISO 2768-m	±0.1	±0.1	±0.2	±0.3	±0.5