

SUNON

SPECIFICATION FOR APPROVAL

CUSTOMER : SUNON
MODEL NO : SM420-20001Y
DESCRIPTION : Thermal Module
DIMENSIONS : 113X78X69.7 mm
SUNON SPEC. NO. : C02006310F-01
CUSTOMER APPROVAL NO. :
APPROVED BY CUSTOMER :
(AUTHORIZED)

DRAWN Sharon	CHECKED Qian	APPROVED Jordan	SPEC. NO	C02006310F-01
			ISSUED DATE	06. 24. 2021
			EDITION	1
			REVISION DATE	08. 18. 2021

建準電機工業股份有限公司

SUNONWEALTH ELECTRIC MACHINE INDUSTRY CO., LTD.

No. 30, LN. 296, XINYA RD., QIANZHEN DIST TEL:886-7-8135888

KAOHSIUNG CITY 80673, TAIWAN(R. O. C) FAX:886-7-8230505/8230606/8231010

URL:<http://www.SUNON.com>

E-mail:SUNON@email.SUNON.com.tw



SPECIFICATION FOR APPROVAL

CHECK LIST

1. SPECIFICATIONS ----- Page 2
2. DIMENSION ----- Page 3
3. Heatsink Performance ----- Page 4
4. PACKAGE ----- Page 5~6
5. NOTES ----- Page 7
6. Declaration of RoHS ----- Page 8

SUNONWEALTH ELECTRIC
MACHINE INDUSTRY CO., LTD.

建準電機工業股份有限公司

PAGE	1 OF 8
SPEC. NO.	C02006310F-01
ISSUED DATE	06. 24. 2021
EDITION	1
REVISION DATE	08. 18. 2021

2021.08.18

發行章

MODEL : SM420-20001Y**1.SPECIFICATIONS**

1. Application	300W
2. Heat Sink Dimension	113X78X7.5mm
3. Heat Sink Material	ADC10
4. Cooling Method	N/A
5. Thermal Grease / PAD	X-23-7921-5
6. Fan Dimension	N/A
7. Fan Speed (with Heat Sink)	N/A
8. Fan Airflow (with Heat Sink)	N/A
9. Fan Rating Voltage	N/A
10. Fan Rating Current (with Heat Sink)	N/A
11. Fan Power Consumption (with Heat Sink)	N/A
12. Fan Bearing Type	N/A
13. Fan Connector	N/A
21. Cooling Module Noise	N/A
15. Fan Operating Voltage Range	N/A
16. Operating Temperature	-10 to + 70 deg. C
17. Storage Temperature	-40 to + 70 deg. C
18. Weight	435 g
19. Life Expectance	N/A

SUNONWEALTH ELECTRIC
MACHINE INDUSTRY CO., LTD.

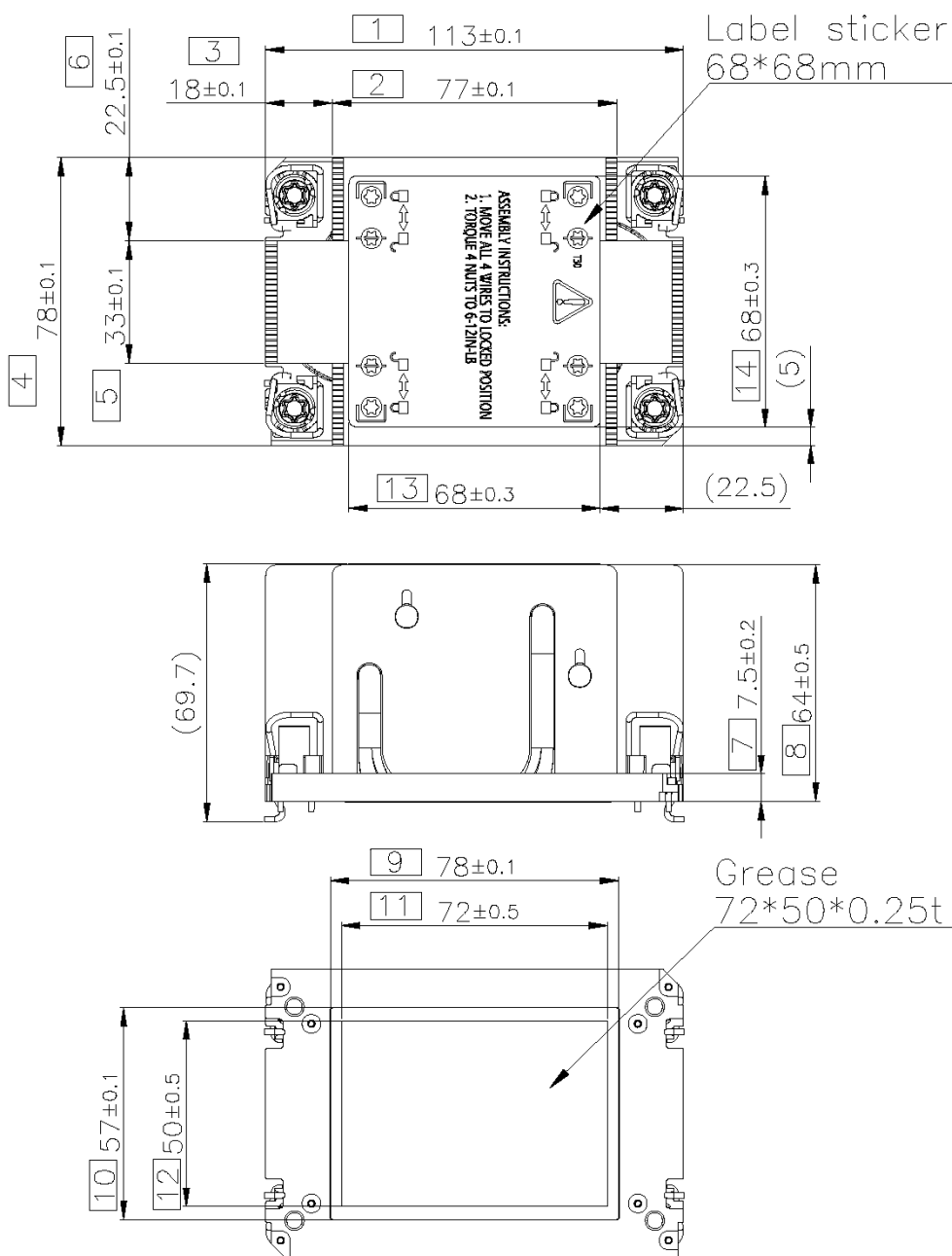
建準電機工業股份有限公司

PAGE	2 OF 8
SPEC. NO.	C02006310F-01
ISSUED DATE	06. 24. 2021
EDITION	1
REVISION DATE	08. 18. 2021

2021.08.18

發行章

2.DIMENSION



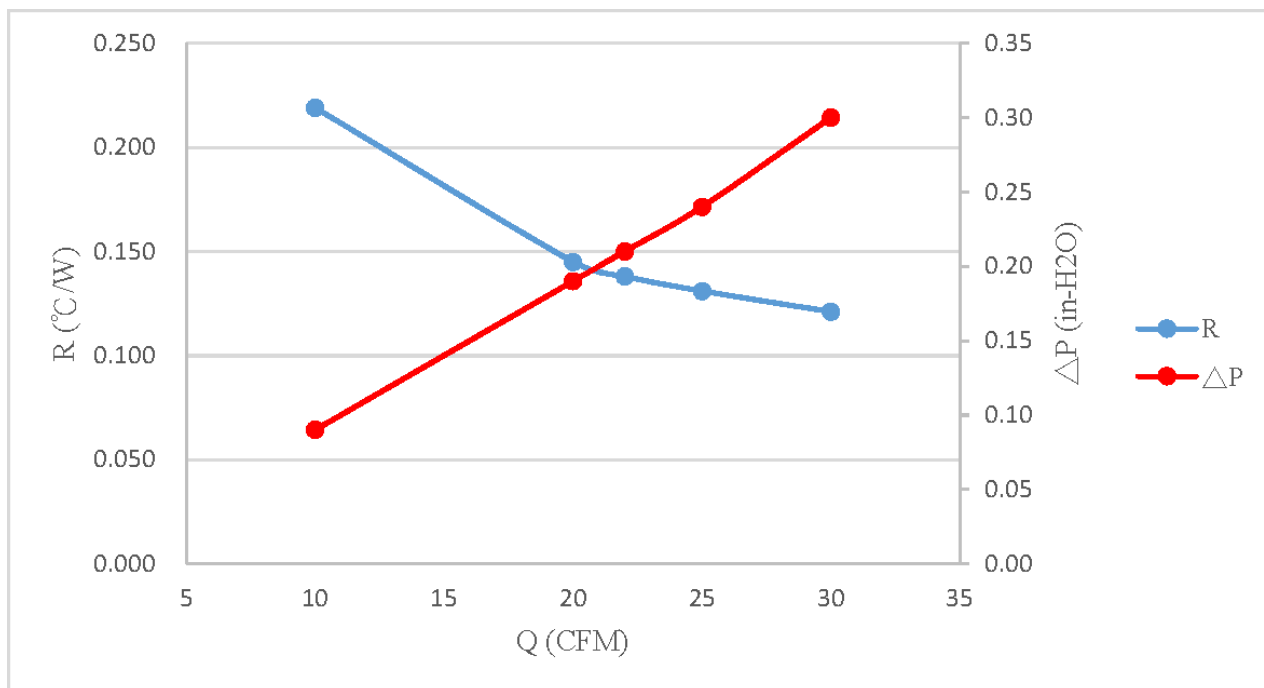
UNIT: mm

SUNONWEALTH ELECTRIC
MACHINE INDUSTRY CO., LTD.

PAGE	3 OF 8
SPEC. NO.	C02006310F-01
ISSUED DATE	06. 24. 2021
EDITION	1
REVISION DATE	08. 18. 2021



3.Heatsink Performance



SUNONWEALTH ELECTRIC
 MACHINE INDUSTRY CO., LTD.
 建準電機工業股份有限公司

PAGE	4 OF 8
SPEC. NO.	C02006310F-01
ISSUED DATE	06. 24. 2021
EDITION	1
REVISION DATE	08. 18. 2021



4.Package

Desiccant*4
Spec:15g/pcs

EPE Board*1
SIZE:450*275*15mm HF

EPE Inner Box*2
Size:450*275*110mm HF

Waterproof bag*1
Size:870*550*220mm HF

AB flute carton
Size:470*290*263mm HF

(model)

Whole set

CTN SIZE	QTY	Weight(N.W)	Weight(G.W)
470*290*263	8	3.5kg	4.5kg

The raw material or component of our products shall not contain hazardous substances which were stated in Sunon's" Index of Inspection technology and criteria for hazardous substances in fan"

Model:
SM420-20001Y

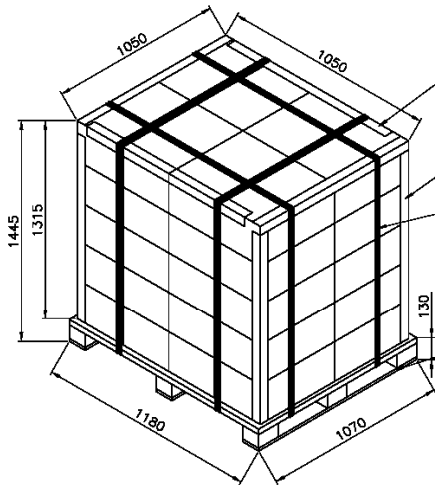
CTN SIZE	QTY/CTN	(Cu/ft) Medsurement	vacuum tray PET	★:此標記為檢驗尺寸
470*290*263	8	1.27	材質 MATERIAL	適用範圍 SCOPE

SUNONWEALTH ELECTRIC
MACHINE INDUSTRY CO., LTD.

PAGE	5 OF 8
SPEC. NO.	C02006310F-01
ISSUED DATE	06. 24. 2021
EDITION	1
REVISION DATE	08. 18. 2021



4.Package



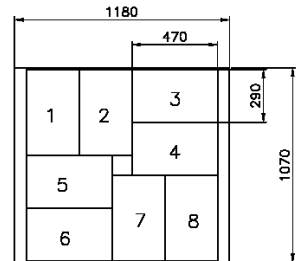
L-shaped pallet edge boards*4PCS
Spec:50*50*1000*5mm GN
P/N:A611000270G

L-shaped pallet edge boards*4PCS
Spec:50*50*1200*5mm GN
P/N:A611000720F

Packing Strap

Plywood pallet:
Spec:1180*1070*130mm GN
P/N:A609000570G

Carton Layout



NOTICE:

- 8 cartons per layer, 5 layers in total (40 Carton/Pallet).
- Tightly wrap around the pallet with wrapping films.

NO.	Model	SPEC. of carton	Carton/Pallet	pcs/Carton	pcs/Pallet	N.W	G.W
1.	SM420-20001Y	470*290*263	40	8	320	139	191

SUNONWEALTH ELECTRIC
MACHINE INDUSTRY CO., LTD.

建準電機工業股份有限公司

2021.08.18

發行章

PAGE	6 OF 8
SPEC. NO.	C02006310F-01
ISSUED DATE	06. 24. 2021
EDITION	1
REVISION DATE	08. 18. 2021

Notes

I. SPECIFICATION MODIFICATION

1. SUNON offers engineering assistance on module installation and cooling system design.
2. All changes, modifications and/or revisions to the specifications, if any, are incorporated in the attached specifications.
3. No changes, modifications and/or revisions to these specifications are effective absent agreement, by both SUNON and the customer, in writing.
4. This module will be shipped in accordance with the attached specification unless SUNON and the customer have agreed otherwise, in writing, as specified in Paragraph 3, above.

II. OTHER

1. DO NOT operate this module in proximity to hazardous materials such as organic silicon, cyanogens, formalin, phenol, or corrosive gas environments including, but not limited to, H₂S, SO₂, NO₂, or Cl₂.
2. Unless otherwise noted, all testing of this module is conducted at 25°C ambient temperature and sixty-five percent (65%) relative humidity.
3. DO NOT store this module in an environment with high humidity. This module must be stored in accordance with the attached specifications regarding storage temperature. If this module is stored for more than 6 months, SUNON recommends functional testing before using.
4. SUNON reserves the right to use components from multiple sources at its discretion. The use of components from other sources will not affect the specifications as described herein.

III. WARRANTY

This module is warranted against all defects which are proved to be fault in our workmanship and material for one year from the date of our delivery. The sole responsibility under the warranty shall be limited to the repair of the module or the replacement thereof, at SUNON's sole discretion. SUNON will not be responsible for the failures of its module due to improper handling, misuse or the failure to follow specifications or instructions for use. In the event of warranty claim, the customer shall immediately notify SUNON for verification. SUNON will not be responsible for any consequential damage to the customer's equipment as a result of any module proven to be defective.

SUNONWEALTH ELECTRIC
MACHINE INDUSTRY CO., LTD.

建準電機工業股份有限公司

PAGE	7 OF 8
SPEC. NO.	C02006310F-01
ISSUED DATE	06. 24. 2021
EDITION	1
REVISION DATE	08. 18. 2021

D.C.C.

2021.08.18

發行章

Declaration of Restricted Materials

Control declaration of environment- related substances/ materials

1. In accordance with the Restriction of Hazardous Substances (RoHS) Directive 2011/65/EU and specific market requirements, SUNON Halogen-Free Product have complied with law and discipline not to employ the forbidden substances, and restrict the allowable concentration of some limited substances deliberately in our components.

No	Substance	Criteria	
1	CFCs & HCFCs (ozone depleting substances)	Forbidden	
2	Chlorinated Organic Solvent	Forbidden	
3	Lead and its compounds	Plastic (Frame, Impeller, wire harness, etc.)	<100ppm
		Solder	<1000ppm
		Steel alloy	<3500ppm
		Aluminium alloy	<4000ppm
		Copper alloy	<4wt%
4	Cadmium and its compounds	Solder	<20ppm
		Parts composed of metals containing zinc (e.g. brass, zinc for die casting)	<100ppm
		Plastic	<5ppm
5	PBBs and PBDEs	Forbidden	
6	PCB and PCT	Forbidden	
7	CP, Short-chain Chlorinated paraffins C10-13, Cl \geq 48 wt%	Forbidden	
8	Mirex	Forbidden	
9	PCN	Forbidden	
10	Hexavalent Chromium compounds	<100ppm	
11	Mercury and its compounds	Forbidden	
12	Asbestos	Forbidden	
13	Organic Tin compounds	Forbidden	
21	Azo compounds	Forbidden	
15	TBBP-A in external case plastic parts of products (PCB is exempted)	<1000ppm	
16	Nickel in external case parts, which are likely to result in prolonged skin exposure	<1000ppm	
17	Hexabromocyclododecane (HBCDD)	<1000ppm	
18	Di-butyl Phthalate (DBP)	<1000ppm	
19	Benzyl butyl Phthalate (BBP)	<1000ppm	
20	Di-ethylhexyl Phthalate (DEHP)	<1000ppm	
21	Di-isobutyl Phthalate (DIBP)	<1000ppm	
22	Brominated/chlorinated flame retardants (other than PBBs or PBDEs), applicable item: frame, bobbin, impeller, lear wire, connector, mylar insulator.	Br<900ppm Cl<900ppm Br+Cl<1500ppm	
23	PAHs and its 16 compounds in unusual contact material	BaP < 20ppm Total <200ppm	
24	PCB and electroplating material, PFOS content complianced with 2006/122/EC	PFOS \leq 1000ppm; coating material PFOS \leq 1 μ g/m ²	

SUNONWEALTH ELECTRIC
MACHINE INDUSTRY CO., LTD.

建準電機工業股份有限公司

D.C.C.

2021.08.18

發行章

PAGE

8 OF 8

SPEC. NO.

C02006310F-01

ISSUED DATE

06. 24. 2021

EDITION

1

REVISION DATE

08. 18. 2021