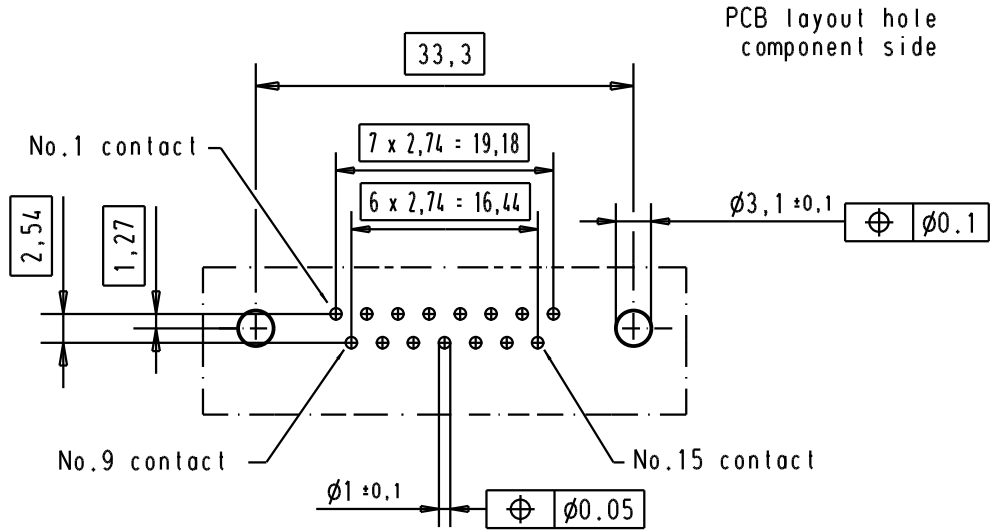
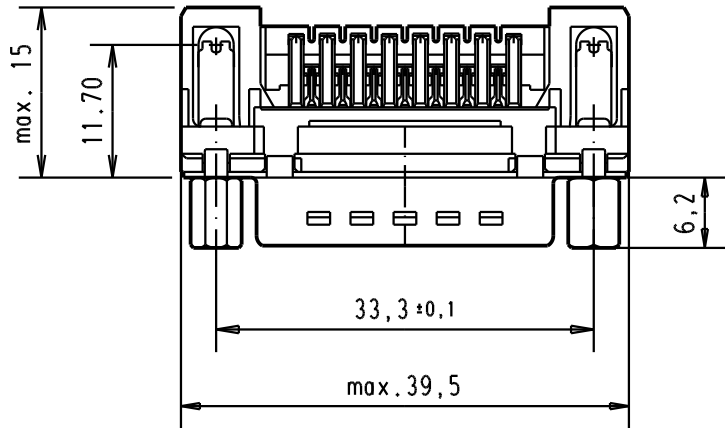
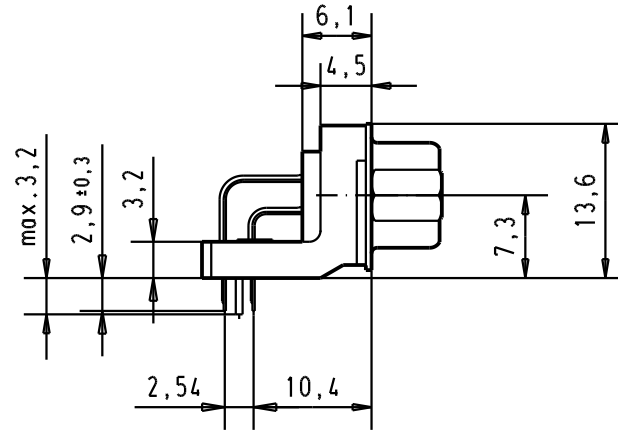
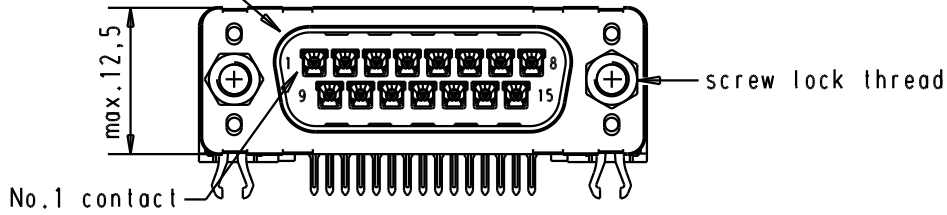




5 4 3 2 1

Mating face according to : MIL-C-24308 / DIN 41652 / CECC 75301-802



Connector retention and insertion forces on the PCB = 25 / 80 newtons

A	09 65 262 3833	M3	1							 All Dim. in mm Orig. Size DIN A 4	D-Sub, male, standard angle, 15 poles, with solder pin, screw lock and grounding board lock	Maßstab/ Scale 1.5:1	
	09 65 262 6833	M3	2					Detail.	04/SEP/02				YT
	09 65 262 7833	M3	3					Insp.					
	09 65 262 3813	4-40 UNC	1					Stand.					
	09 65 262 6813	4-40 UNC	2	31892	22/04/04	JH							
	09 65 262 7813	4-40 UNC	3	31084	04/SEP/02	YT							
	Part number	Screw lock thread	Performance level	Mod.	Dat.	Name	HARTING EURL F-95972 Paris			TB 0965262x8x3 Sub.	Blatt/ Page 1 /		