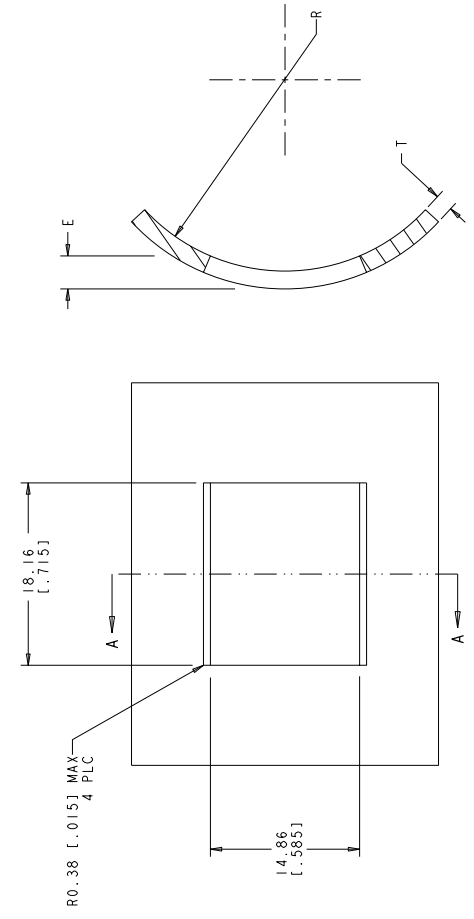
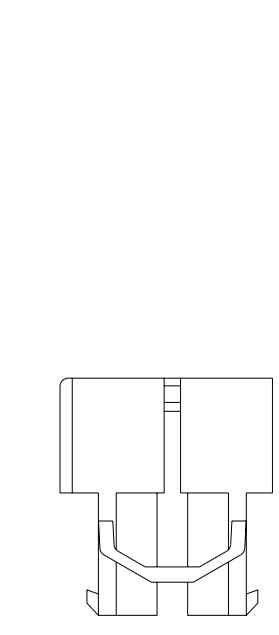
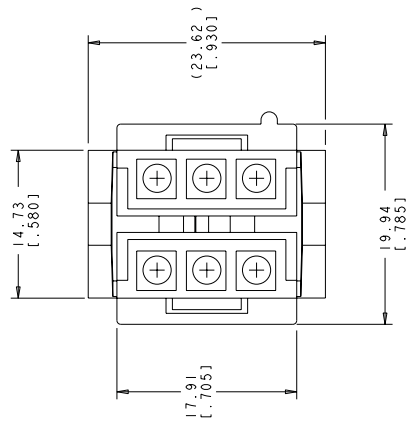
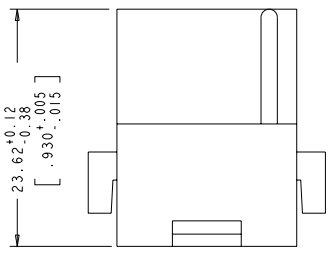
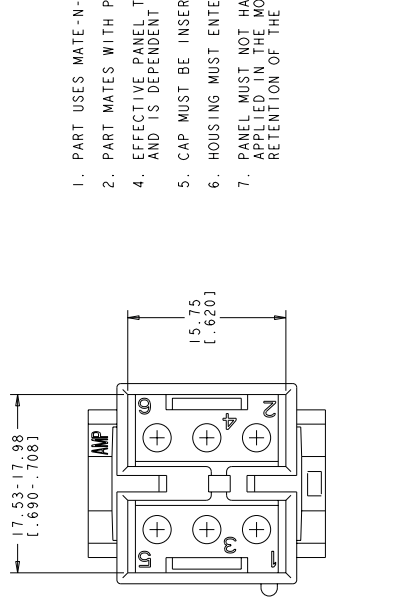
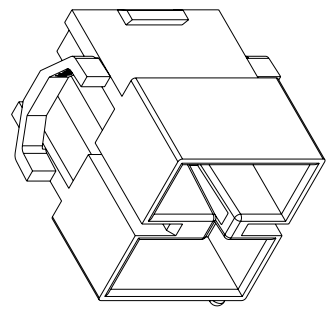


REVISED FOR PUBLICATION		REVISED FOR PUBLICATION	
DATE	DESCRIPTION	DATE	DESCRIPTION
10/20/18	ECO-07-023018B		



1. PART USES MATE-N-LOK™ DUAL LANCE PINS.
2. PART MATES WITH PLUG 480696.
4. EFFECTIVE PANEL THICKNESS "E" IS 1.02-2.54 [.040-.100] AND IS DEPENDENT ON "T" AND "R".
5. CAP MUST BE INSERTED IN A ROCKING MANNER.
6. HOUSING MUST ENTER THE PANEL IN THE SAME DIRECTION AS THE PUNCH.
7. PANEL MUST NOT HAVE ANY MATERIAL (PAINT, PORCELAIN, ETC.) APPLIED IN THE MOUNTING HOLE AREA THAT WOULD DECREASE RETENTION OF THE HOUSING IN THE PANEL.



VOLUME	COLOR	MATERIAL	PART NUMBER
0.183 IN ³	NATURAL NYLON	UL94-HB	1-770279-0

TYPE ELECTRONICS	Yield Electronics
ORDER PART #	100779
ORDER QTY	1
ORDER DATE	
ORDER TIME	
ORDER TIME	
ORDER TIME	
ORDER TIME	
ORDER TIME	
ORDER TIME	
ORDER TIME	

SEE TABLE

MATERIAL

SEE TABLE

