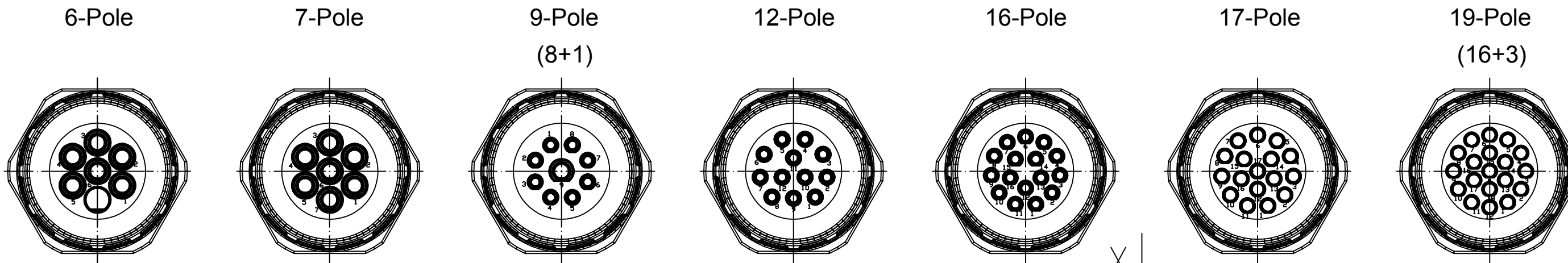
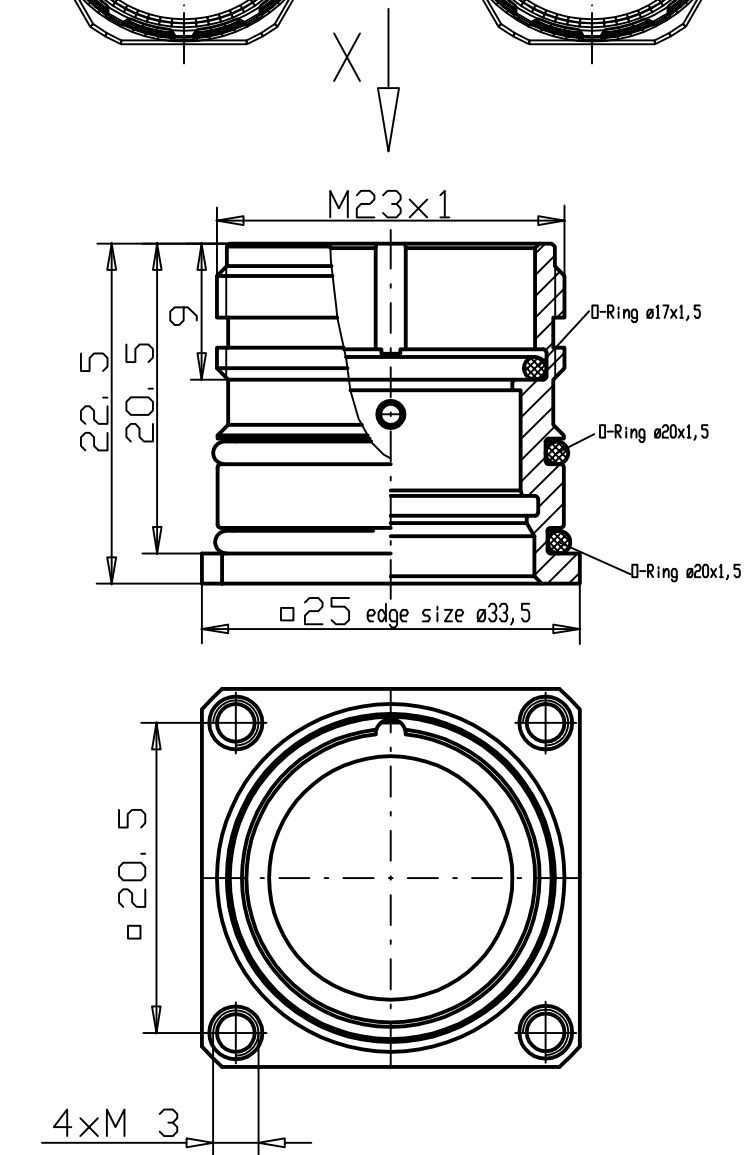


# Views from "X" rotated



Cable Diameter	Solder Contacts	PCB Contacts	Crimp Contacts	Without Contacts
6 Pole	KRS6G46-5541 1202310064	KRS6G46-7741 1202310065	KRS6G46-4041 1202310066	KRS6G46-0041 1202310067
	Crimp range*		0,75-2,5mm <sup>2</sup>	
7 Pole	KRS7G46-5541 1202310068	KRS7G46-7741 1202310069	KRS7G46-4041 1202310070	KRS7G46-0041 1202310071
	Crimp range*		0,75-2,5mm <sup>2</sup>	
9 Pole (8+1)	KRS9G46-5541 1202310072	KRS9G46-7741 1202310073	KRS9G46-4141 1202310074	KRS9G46-0041 1202310075
	Crimp range*		0,14-1,0mm <sup>2</sup> /0,75-2,5mm <sup>2</sup>	
12 Pole	KRSCG46-5541 1202310076	KRSCG46-7741 1202310077	KRSCG46-0141 1202310078	KRSCG46-0041 1202310079
	Crimp range*		0,14-1,0mm <sup>2</sup>	
16 Pole	KRSHG46-5541 1202310080	KRSHG46-7741 1202310081	KRSHG46-0141 1202310082	KRSHG46-0041 1202310083
	Crimp range*		0,14-1,0mm <sup>2</sup>	
17 Pole	KRSJG46-5541 1202310084	KRSJG46-7741 1202310085	KRSJG46-0141 1202310086	KRSJG46-0041 1202310087
	Crimp range*		0,14-1,0mm <sup>2</sup>	
19 Pole (16+3)	KRSLG46-5541 1202310088	KRSLG46-7741 1202310089	KRSLG46-1141 1202310090	KRSLG46-0041 1202310091
	Crimp range*		0,14-1,0mm <sup>2</sup> /0,14-1,0mm <sup>2</sup>	



Notes:  
Tolerances (unless specified): DIN ISO 2768 m

\*Crimp range only applies to "Crimp Contacts" version

DESCRIPTION EC NO.: WEU2009-0135 DRWN: BBRAUCH 2008/11/17 CHKD: --- APPR: JKOLB 2009/03/02 REV 1	QUALITY SYMBOLS	GENERAL TOLERANCES (UNLESS SPECIFIED)	DIMENSION STYLE	SCALE	DESIGN UNITS	FIRST ANGLE PROJECTION	
	▽ = 0 ▽C = 0	mm INCH	MM	---	METRIC		
		4 PLACES ± ---- ± ---- 3 PLACES ± ---- ± ---- 2 PLACES ±0.05 ± ---- 1 PLACE ±0.1 ± ---- ANGULAR ± --- °	DRAWN BY DATE BB 2008/11/17 CHECKED BY DATE JKO 2008/12/09 APPROVED BY DATE ---	M23 BACK PM RECEPT. MALE FLANGE-MOUNT 4 X M3			
		DRAFT WHERE APPLICABLE MUST REMAIN WITHIN DIMENSIONS	MATERIAL NO. see table SIZE A3	DOCUMENT NO. SD-120231-004	SHEET NO. 1 OF 1		
MOLEX INCORPORATED THIS DRAWING CONTAINS INFORMATION THAT IS PROPRIETARY TO MOLEX INCORPORATED AND SHOULD NOT BE USED WITHOUT WRITTEN PERMISSION							